

4CB Control Box

Control Box that provides protection to Coverco single phase oil filled submersible motor

Technical Data

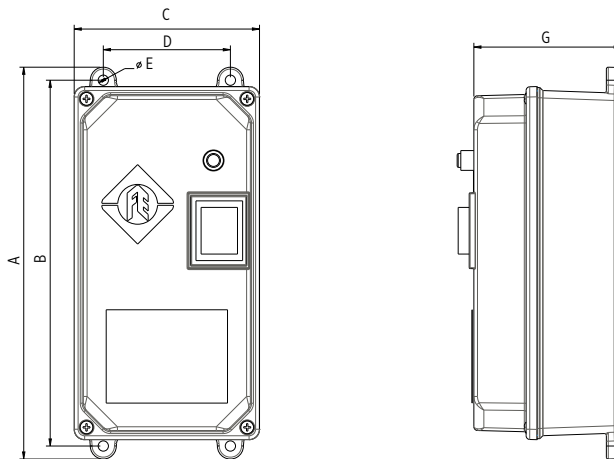
- Main internal components: Switch, Thermal Relay and Permanent Capacitor
- IP-53 thermoplastic external box
- Power: 0.5HP - 3.0HP
- Voltage: 220V Single Phase



Ordering Information

Model	Part Number	Description	Power HP	Weight Kg
4CB	98304C5001	CB3W 0.5HP 220V 50HZ 20uF	0.5	0.52
	98304C5002	CB3W 0.75HP 220V 50HZ 25uF	0.75	0.55
	98304C5003	CB3W 1.0HP 220V 50HZ 30uF	1	0.59
	98304C5004	CB3W 1.5HP 220V 50HZ 35uF	1.5	0.60
	98304C5005	CB3W 2.0HP 220V 50HZ 40uF	2	0.67
	98304C5006	CB3W 3.0HP 220V 50HZ 70uF	3	0.67

Dimension



Dimension (mm)						
Model	A	B	C	D	E	G
CB3W	219	207	110	76	5.5	72