

# **FPS**



## **INH / ICC Series** Horizontal End Suction Centrifugal Pumps

# INDEX

Pump identification code ..... 2

**INH SERIES ..... 3**

APPLICATIONS..... 3

FEATURES..... 3

INH - BACK PULL OUT DESIGN..... 3

SECTIONAL VIEW..... 3

FAMILY CURVE..... 4

DIMENSION..... 5 - 6

**ICC SERIES ..... 7**

APPLICATIONS..... 7

FEATURES..... 7

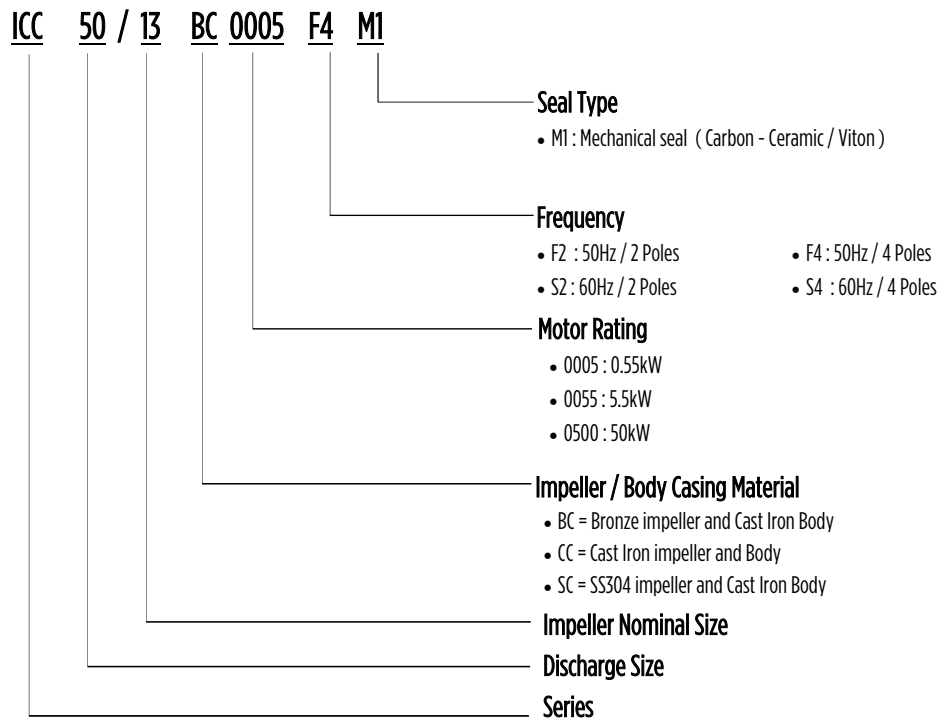
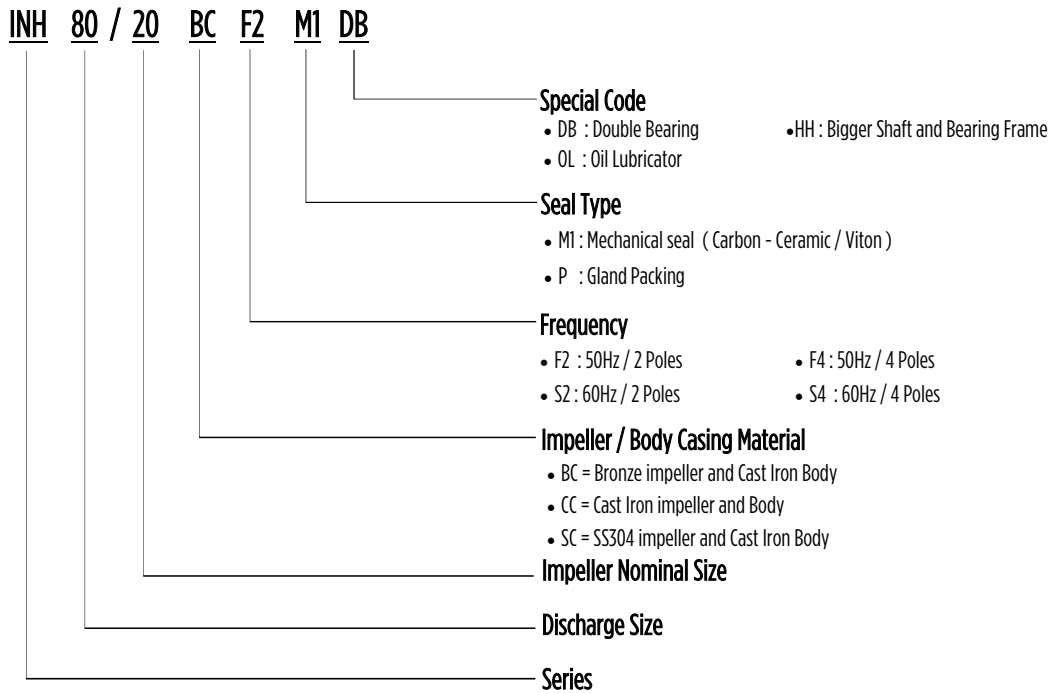
ICC CLOSE-COUPLED PUMPS..... 7

SECTIONAL VIEW..... 7

FAMILY CURVE..... 8

DIMENSION..... 9 - 14

## PUMP IDENTIFICATION CODE



## APPLICATIONS

- Water distribution / Water supply
- Water treatment
- Irrigation systems
- Fire Fighting
- Air Conditioning
- Industrial plants

## FEATURES

The end suction centrifugal pumps are designed to pump clean liquids, without abrasives and suspended solids, non-explosive environments.

Operating Temp. : -10 °C to 85 °C (Standard); 105 °C (on Request)  
 Working Pressure : 10 bar standard; 16 Bar (on Request)

## INH - BACK PULL OUT DESIGN

End Suction centrifugal pump with Back Pull-Out feature.

Dimensions and performance according to EN733 / DIN24255 standards. It is suitable to be coupled with a standard electric motor.

### Material

- Casing : Cast Iron
- Impeller : Cast Iron / Bronze / SS304 / SS316
- Shaft : SS420
- Shaft Seal : Mechanical Seal / Gland Packing
- Suction / Discharge Flanges according to DIN 2501 PN10 RF

### Pump Specification

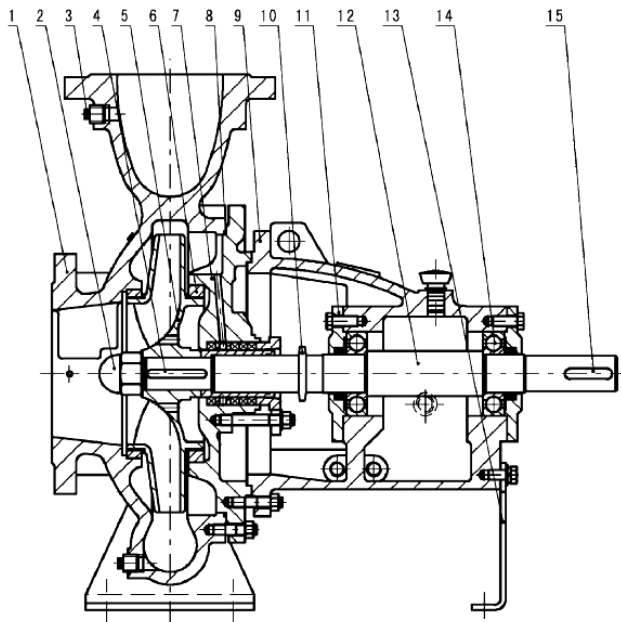
- Flow Rate(Q) : up to 1100 m<sup>3</sup>/h
- Head(H) : up to 150m
- Speed : 1450 rpm or 2900 rpm (50Hz)

### On Request

- Pump material with fully stainless steel
- Special Mechanical Seal.



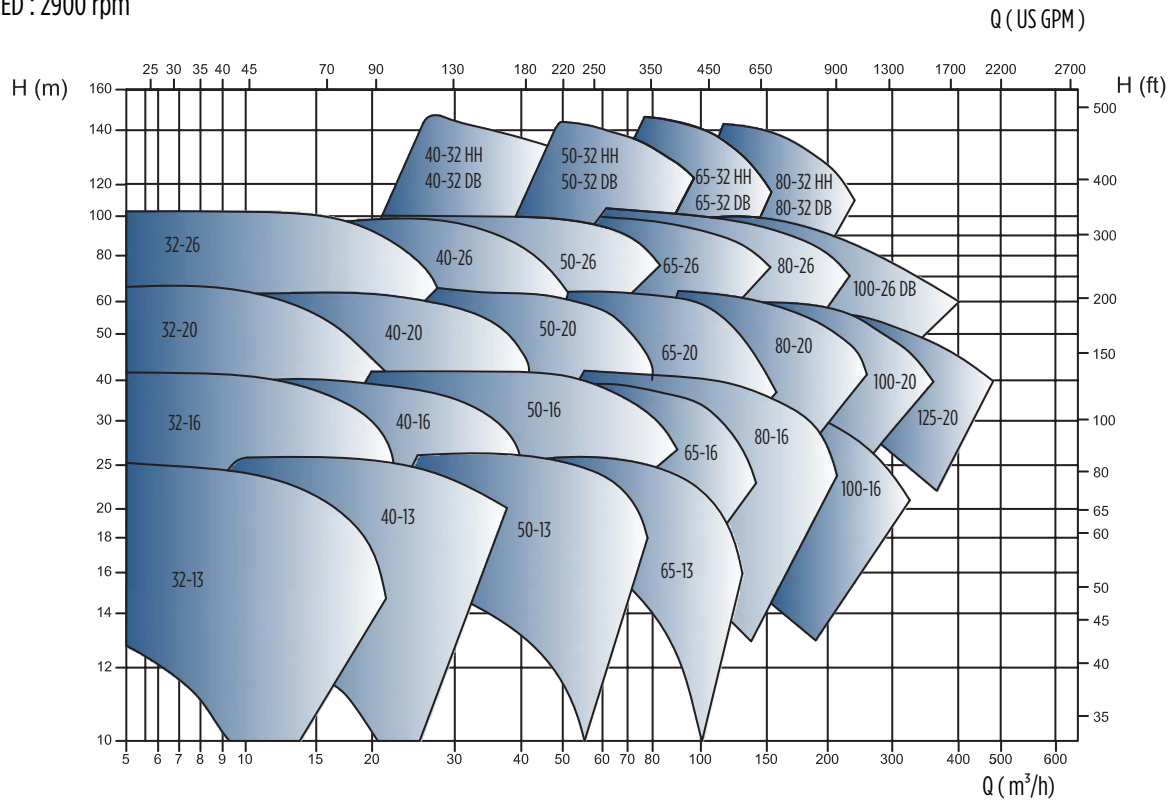
## SECTIONAL VIEW



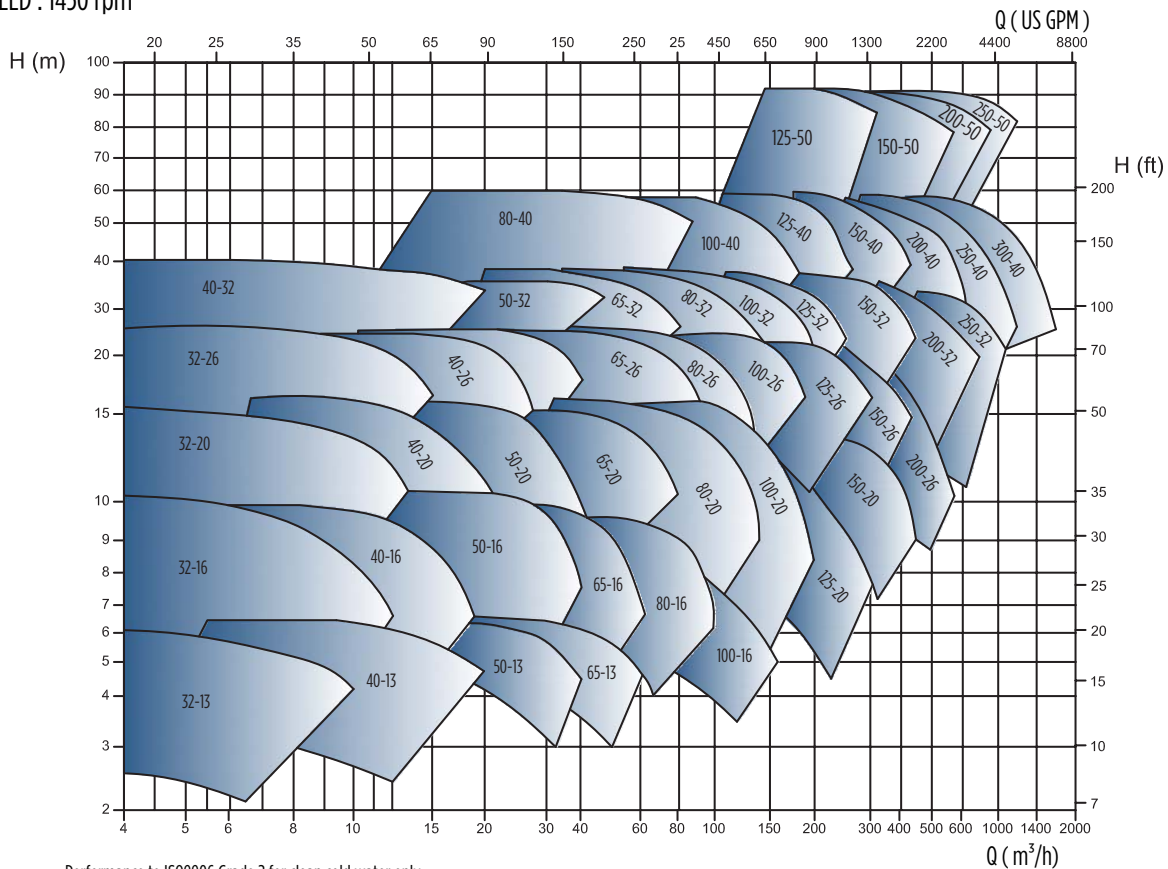
No	Part Name
1	Bearing Cover (Shaft end)
2	Shaft
3	Bearing housing
4	Shaft Sleeve ( With Gland Packing only)
5	Mechanical Seal
6	Gland Packing (Option)
7	Volute Casing
8	Impeller
9	Impeller Nut
10	Casing Wear Rings
11	Front Foot Support
12	Seal Plate
13	Slinger
14	Ball Bearings (Deep Groove)
15	Rear Foot Support

## FAMILY CURVE

SPEED : 2900 rpm

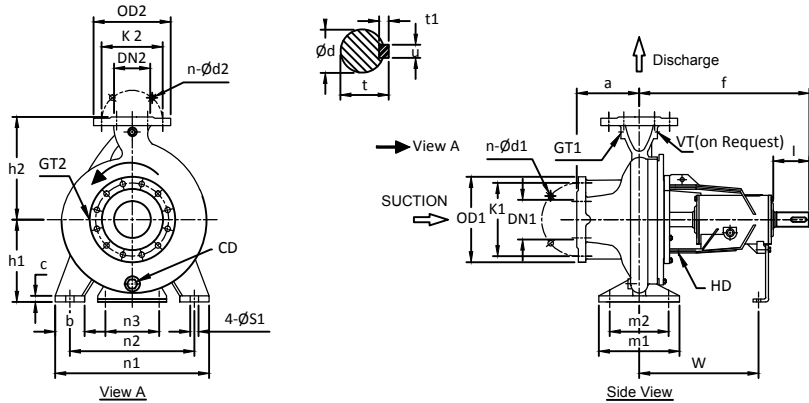


SPEED : 1450 rpm



Performance to ISO9906 Grade 2 for clean cold water only.

## DIMENSION



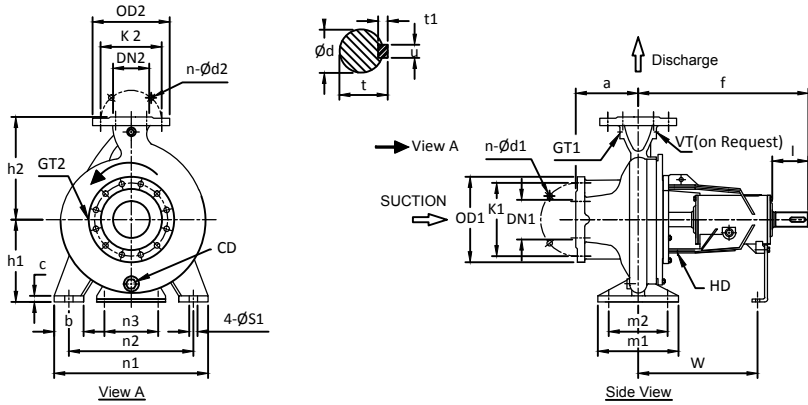
Flanges Dimension ( DIN 2501 PN16 )			
DN1 / DN2	OD1 / OD2	K1 / K2	n-φd1 / n-φd1
DN 32	140	100	4 - Ø18
DN 40	150	110	4 - Ø18
DN 50	165	125	4 - Ø18
DN 65	185	145	4 - Ø18
DN 80	200	160	8 - Ø18
DN 100	220	180	8 - Ø18
DN 125	250	210	8 - Ø18
DN 150	285	240	8 - Ø22
DN 200	340	295	12 - Ø22
DN 250	405	355	12 - Ø26
DN 300	460	410	12 - Ø26
DN 350	520	470	16 - Ø26

Pump Model	Bearing Housing	Discharge, DN2	Suction, DN1	Pump												Dimension					Shaft End					Weight (kg)	Service Connections				
				a	f	h1	h2	b	c	n3	m1	m2	n1	n2	S1	S2	w	d	l	t	t1	u	Casing Drain, CD	Housing Drain, HD	Gauge Tapping, GT		Vent Tapping, VT	Gauge Tapping, GT2			
INH 32-13	25	32	50	80	360	112	140	50	14	100	100	70	190	140	14	14	267	24	50	27	7	8	29	1/4"	3/8"	1/4"	1/4"	1/4"			
INH 32-16	25			80	360	132	160	50	14	100	100	70	240	190	14	14	267	24	50	27	7	8	35	1/4"	3/8"	1/4"	1/4"	1/4"			
INH 32-20	25			80	360	160	180	50	14	110	100	70	240	190	14	14	267	24	50	27	7	8	47	1/4"	3/8"	1/4"	1/4"	1/4"			
INH 32-26	25			100	360	180	225	65	14	110	125	95	320	250	14	14	267	24	50	27	7	8	58	3/8"	3/8"	1/4"	1/4"	1/4"			
INH 40-13	25	40	65	80	360	112	140	50	14	100	100	70	210	160	14	14	267	24	50	27	7	8	31	1/4"	3/8"	1/4"	1/4"	1/4"			
INH 40-16	25			80	360	132	160	50	14	100	100	70	240	190	14	14	267	24	50	27	7	8	34	1/4"	3/8"	1/4"	1/4"	1/4"			
INH 40-20	25			100	360	160	180	50	14	110	100	70	265	212	14	14	267	24	50	27	7	8	45	1/4"	3/8"	1/4"	1/4"	1/4"			
INH 40-26	25			100	360	180	225	65	14	110	125	95	320	250	14	14	267	24	50	27	7	8	61	3/8"	3/8"	1/4"	1/4"	1/4"			
INH 40-32	35			125	470	200	250	65	14	110	125	95	345	280	14	14	342	32	80	35	8	10	94	3/8"	3/8"	1/4"	1/4"	1/4"			
INH 40-32 DB	35			125	470	200	250	65	14	110	125	95	345	280	14	14	342	32	80	35	8	10	107	3/8"	3/8"	1/4"	1/4"	1/4"			
INH 40-32 HH	45			125	526	200	250	65	14	110	125	95	345	280	14	14	367	42	110	45	8	12	105	3/8"	3/8"	1/4"	1/4"	1/4"			
INH 50-13	25			50	65	100	360	132	160	50	14	100	100	70	240	190	14	14	267	24	50	27	7	8	35	1/4"	3/8"	1/4"	1/4"	1/4"	
INH 50-16	25	100	360			160	180	50	14	110	100	70	265	212	14	14	267	24	50	27	7	8	39	3/8"	3/8"	1/4"	1/4"	1/4"			
INH 50-20	25	100	360			160	200	50	14	110	100	70	265	212	14	14	267	24	50	27	7	8	49	1/4"	3/8"	1/4"	1/4"	1/4"			
INH 50-26	25	100	360			180	225	65	14	110	125	95	320	250	14	14	267	24	50	27	7	8	68	3/8"	3/8"	1/4"	1/4"	1/4"			
INH 50-26 DB	25	100	360			180	225	65	14	110	125	95	320	250	14	14	267	24	50	27	7	8	68	3/8"	3/8"	1/4"	1/4"	1/4"			
INH 50-26 HH	35	100	470			180	225	65	14	110	125	95	320	250	14	14	344	32	80	35	8	10	65	3/8"	3/8"	1/4"	1/4"	1/4"			
INH 50-32	35	125	470			225	280	65	14	110	125	95	345	280	14	14	342	32	80	35	8	10	113	3/8"	3/8"	1/4"	1/4"	1/4"			
INH 50-32 DB	35	125	470			225	280	65	14	110	125	95	345	280	14	14	342	32	80	35	8	10	113	3/8"	3/8"	1/4"	1/4"	1/4"			
INH 50-32 HH	45	125	526			225	280	65	18	110	125	95	345	280	14	14	367	42	110	45	8	12	105	3/8"	3/8"	1/4"	1/4"	1/4"			
INH 65-13	25	65	80			100	360	160	180	65	14	110	125	95	280	212	14	14	267	24	50	27	7	8	41	1/4"	3/8"	1/4"	1/4"	1/4"	
INH 65-16	25					100	360	160	200	65	14	110	125	95	280	212	14	14	267	24	50	27	7	8	47	3/8"	3/8"	1/4"	1/4"	1/4"	
INH 65-20	25					100	360	180	225	65	14	110	125	95	320	250	14	14	267	24	50	27	7	8	55	3/8"	3/8"	1/4"	1/4"	1/4"	
INH 65-20 DB	25			100	360	180	225	65	14	110	125	95	320	250	14	14	267	24	50	27	7	8	55	3/8"	3/8"	1/4"	1/4"	1/4"			
INH 65-20 HH	35			100	465	180	225	65	14	110	125	95	320	250	14	14	339	32	80	35	8	10	60	3/8"	3/8"	1/4"	1/4"	1/4"			
INH 65-26	35			100	470	200	250	80	15	110	160	120	360	280	18	14	342	32	80	35	8	10	87	3/8"	3/8"	1/4"	1/4"	1/4"			
INH 65-32	35			125	470	225	280	80	18	110	160	120	400	315	18	14	342	32	80	35	8	10	110	3/8"	3/8"	1/4"	1/4"	1/4"			
INH 65-32 DB	35			125	470	225	280	80	18	110	160	120	400	315	18	14	342	32	80	35	8	10	110	3/8"	3/8"	1/4"	1/4"	1/4"			
INH 65-32 HH	45			125	525	225	280	80	18	110	160	120	400	315	18	14	367	42	110	45	8	12	120	3/8"	3/8"	1/4"	1/4"	1/4"			
INH 80-16	25			80	100	125	360	180	225	65	14	110	125	95	320	250	14	14	267	24	50	27	7	8	53	3/8"	3/8"	1/4"	1/4"	1/4"	
INH 80-20	35					125	470	180	250	65	15	110	125	95	345	280	14	14	342	32	80	35	8	10	76	3/8"	3/8"	1/4"	1/4"	1/4"	
INH 80-26	35					125	470	200	280	80	15	110	160	120	400	315	18	14	342	32	80	35	8	10	95	3/8"	3/8"	1/4"	1/4"	1/4"	
INH 80-32	35	125	470			250	315	80	16	110	160	120	400	315	18	14	342	32	80	35	8	10	118	3/8"	3/8"	3/8"	1/4"	3/8"			
INH 80-32 DB	35	125	470			250	315	80	16	110	160	120	400	315	18	14	342	32	80	35	8	10	118	3/8"	3/8"	3/8"	1/4"	3/8"			
INH 80-32 HH	45	125	526			250	315	80	16	110	160	120	400	315	18	14	367	42	110	45	8	12	130	3/8"	3/8"	3/8"	1/4"	3/8"			
INH 80-40	45	125	530			280	355	83	18	110	160	120	440	340	18	14	370	42	110	45	8	12	160	3/8"	3/8"	3/8"	3/8"	3/8"			

Pump dimension may vary, please refer to manufacturer.

All hole are BSP female parallel thread.

## DIMENSION



Flanges Dimension ( DIN 2501 PN16 )			
DN1 / DN2	OD1 / OD2	K1 / K2	n-φd1 / n-φd1
DN 32	140	100	4 - Ø18
DN 40	150	110	4 - Ø18
DN 50	165	125	4 - Ø18
DN 65	185	145	4 - Ø18
DN 80	200	160	8 - Ø18
DN 100	220	180	8 - Ø18
DN 125	250	210	8 - Ø18
DN 150	285	240	8 - Ø22
DN 200	340	295	12 - Ø22
DN 250	405	355	12 - Ø26
DN 300	460	410	12 - Ø26
DN 350	520	470	16 - Ø26

Pump Model	Bearing Housing	Discharge, DN2	Suction, DN1	Pump				Dimension								Shaft End					Weight (kg)	Service Connections								
				a	f	h1	h2	b	c	n3	m1	m2	n1	n2	S1	S2	w	d	l	t		t1	u	Casing Drain, CD	Housing Drain, HD	Gauge Tapping, GT	Vent Tapping, VT	Gauge Tapping, GT2		
INH 100-16	35	100	125	125	470	200	250	80	15	110	160	120	360	280	18	14	342	32	80	35	8	10	87	3/8"	3/8"	3/8"	3/8"	3/8"		
INH 100-20	35			125	470	200	280	80	16	110	160	120	360	280	18	14	342	32	80	35	8	10	84	3/8"	3/8"	3/8"	3/8"	3/8"		
INH 100-26	35			140	470	225	280	80	16	110	160	120	400	315	18	14	342	32	80	35	8	10	102	3/8"	3/8"	3/8"	3/8"	3/8"		
INH 100-26 DB	35			140	470	225	280	80	16	110	160	120	400	315	18	14	342	32	80	35	8	10	102	3/8"	3/8"	3/8"	3/8"	1/2"		
INH 100-32	35			140	470	250	315	80	16	110	160	120	400	315	18	14	342	32	80	35	8	10	118	3/8"	3/8"	3/8"	3/8"	1/2"		
INH 100-40	45			140	530	280	355	100	20	110	200	150	500	400	23	14	370	42	110	45	8	12	176	3/8"	1/2"	1/2"	3/8"	1/2"		
INH 125-20	35	125	150	140	470	250	315	80	16	110	160	120	400	315	18	14	342	32	80	35	8	10	112	3/8"	1/2"	1/2"	3/8"	1/2"		
INH 125-26	35			140	470	250	355	80	16	110	160	120	400	315	18	14	342	32	80	35	8	10	117	3/8"	1/2"	1/2"	3/8"	1/2"		
INH 125-32	45			140	530	280	355	100	18	110	200	150	500	400	23	14	370	42	110	45	8	12	155	3/8"	1/2"	1/2"	3/8"	1/2"		
INH 125-40	45			160	530	315	400	100	18	110	200	150	500	400	23	14	370	42	110	45	8	12	178	3/8"	1/2"	1/2"	3/8"	1/2"		
INH 125-50	55			160	670	355	450	100	25	110	200	150	550	450	23	14	500	48	110	51	9	14	300	1/2	3/8"	3/8"	3/8"	3/8"		
INH 150-20	35			150	200	160	500	280	400	100	18	110	200	150	400	315	23	14	369	32	80	35	8	10	132	3/8"	1/2"	1/2"	3/8"	1/2"
INH 150-26	45	160	530			250	355	100	18	110	200	150	450	350	23	14	370	42	110	45	8	12	163	3/8"	1/2"	1/2"	3/8"	1/2"		
INH 150-32	45	160	530			280	400	100	18	110	200	150	550	450	23	14	370	42	110	45	8	12	170	3/8"	1/2"	1/2"	3/8"	1/2"		
INH 150-40	45	160	530			315	450	100	18	110	200	150	550	450	23	14	370	42	110	45	8	12	207	3/8"	1/2"	1/2"	3/8"	1/2"		
INH 150-50	55	180	670			375	500	100	22	110	200	150	550	450	23	14	500	48	110	51	9	14	330	1/2"	3/8"	3/8"	3/8"	3/8"		
INH 200-26	45	200	250			180	555	315	450	100	20	110	200	150	550	450	28	14	392	42	110	45	8	12	219	3/8"	1/2"	1/2"	3/8"	1/2"
INH 200-32	55			180	670	315	480	120	20	110	220	170	600	480	28	14	505	48	110	51	9	14	286	3/8"	1/2"	1/2"	3/8"	1/2"		
INH 200-40	55			180	670	335	480	120	20	110	250	170	600	480	28	14	505	48	110	51	9	14	328	3/8"	1/2"	1/2"	3/8"	1/2"		
INH 200-50	65			200	720	425	560	100	22	140	200	150	660	560	23	19	515	60	140	64	11	18	450	3/8"	3/8"	3/8"	3/8"	3/8"		
INH 250-32	55			250	300	220	691	355	520	150	26	110	250	200	660	510	28	14	525	48	110	51	9	14	366	3/8"	1/2"	1/2"	3/8"	1/2"
INH 250-40	55					220	682	400	560	150	26	110	250	200	660	510	28	14	516	48	110	51	9	14	396	3/8"	1/2"	1/2"	3/8"	1/2"
INH 250-50	65	250	720			450	670	120	32	140	240	190	750	650	23	19	515	60	140	64	11	18	550	3/8"	3/8"	3/8"	3/8"	3/8"		
INH 300-32	75	300	350	260	875	400	560	140	30	140	300	200	750	600	27	19	625	70	140	74.5	12	20	350	1/2"	3/8"	3/8"	3/8"	3/8"		
INH 300-40	65			300	720	425	670	120	30	140	250	190	760	660	30	19	515	60	140	64	11	18	550	1/2"	3/8"	3/8"	3/8"	3/8"		

Pump dimension may vary, please refer to manufacturer.

All hole are BSP female parallel thread.

## APPLICATIONS

- Water distribution / Water supply
- Water treatment
- Irrigation systems
- Fire Fighting
- Air Conditioning
- Industrial plants

## FEATURES

The End suction centrifugal electric pumps are designed to pump clean liquids, without abrasives and suspended solids, non-explosive environments.

Operating Temp. : -10 °C to 85 °C (Standard); 105 °C (On Request)  
 Working Pressure : 10 bar standard; 16 Bar (on Request)

## ICC - CLOSE-COUPLED PUMPS

Close coupled end suction centrifugal pump. Dimensions and rated performance are according to EN733 / DIN24255 Standard. It is suitable to be coupled with either NEMA or IEC designed motor by a stub shaft. Main advantage is the elimination of alignment.

### Material

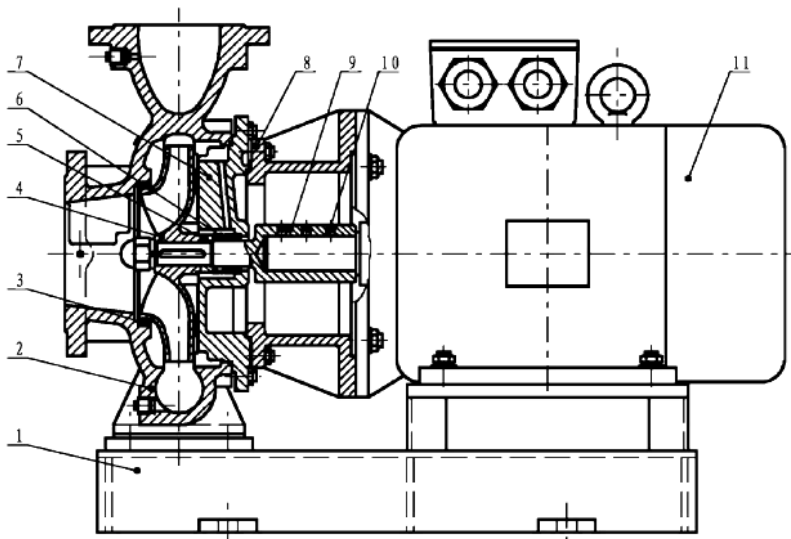
- Casing : Cast Iron
- Impeller : Cast Iron / Bronze / SS304 / SS316
- Shaft : SS420
- Shaft Seal : Mechanical Seal

### Pump Specification

- Flow Rate(Q) : up to 500 m<sup>3</sup>/h
- Head(H) : up to 150m
- Speed : 1450 rpm or 2900 rpm (50Hz)



## SECTIONAL VIEW

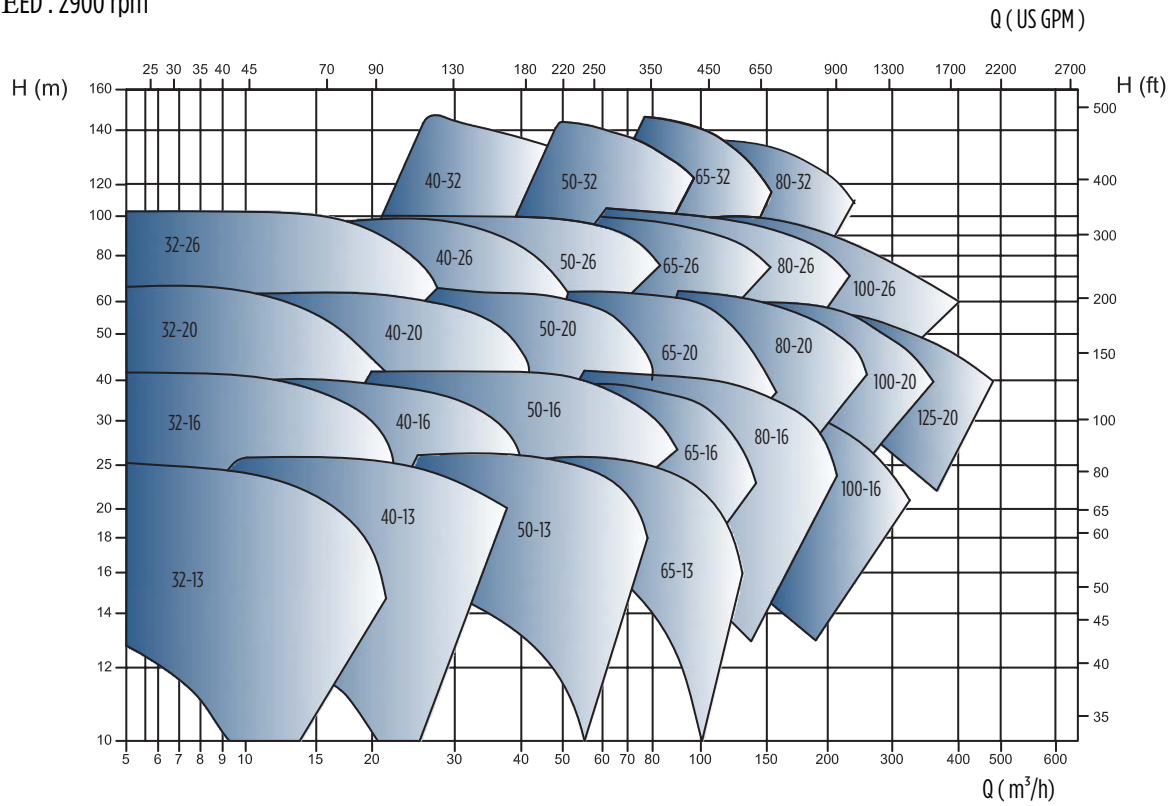


No	Part Name
1	Base
2	Casing
3	Wear Rings
4	Impeller
5	Mechanical Seal Locking Collar
6	Mechanical Seal
7	Casing Cover
8	Motor Bracket
9	Shaft
10	Shaft Set Screw
11	Motor

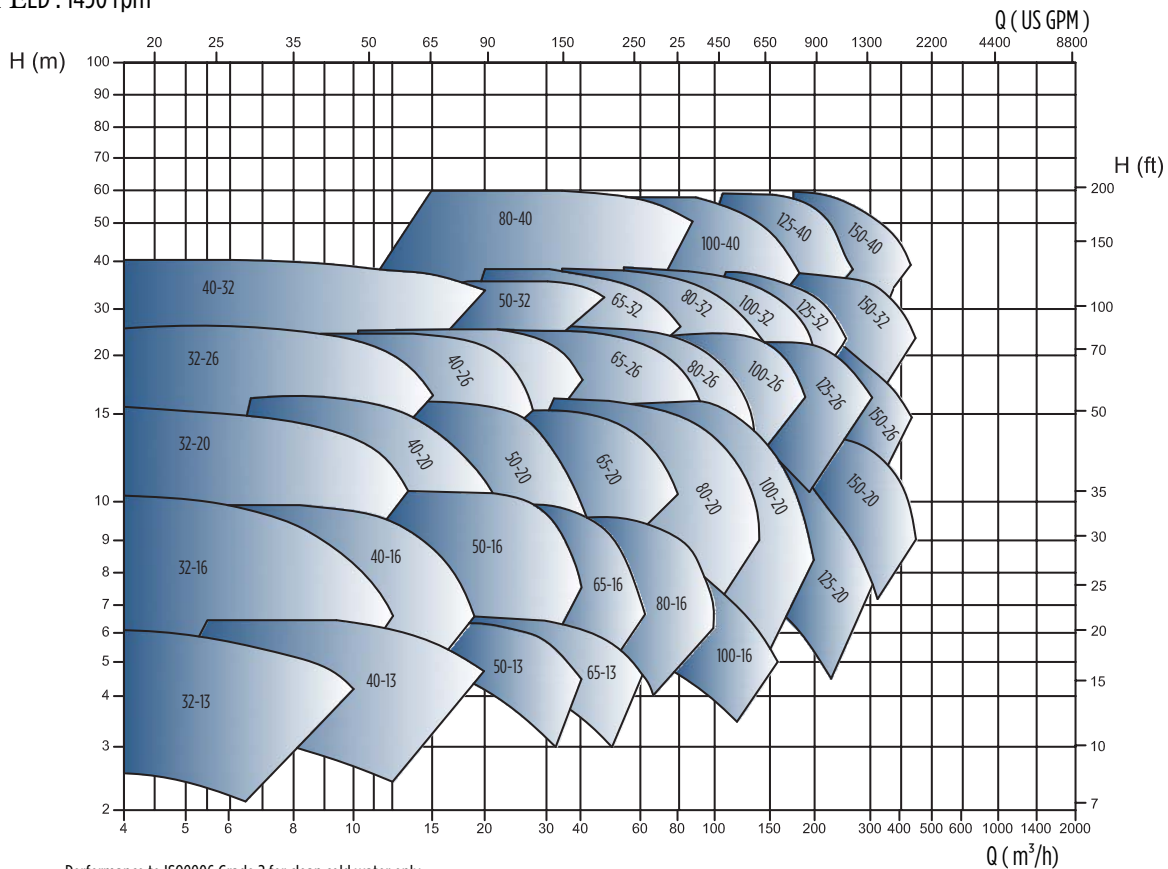


## FAMILY CURVE

SPEED : 2900 rpm



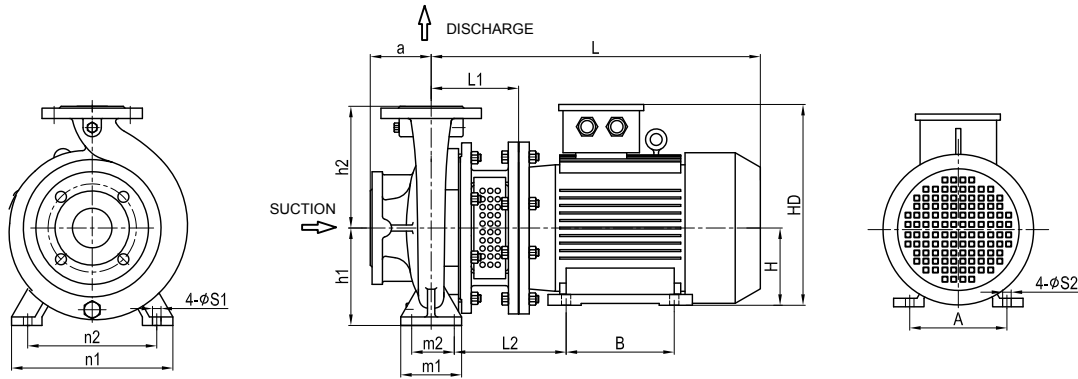
SPEED : 1450 rpm



Performance to ISO9906 Grade 2 for clean cold water only.



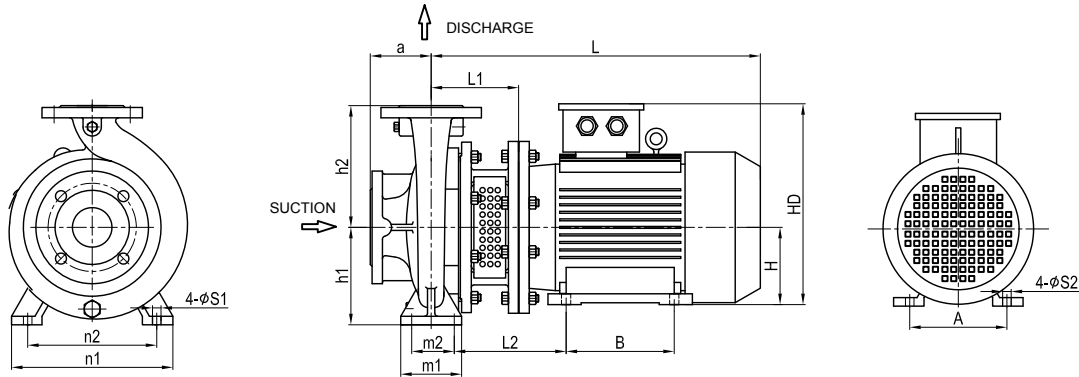
## DIMENSION



Pump Model	Motor Model (50Hz)		kw	DNI		a	h1	h2	L	L2	L	A	B	H	HD	m1	m2	n1	n2	S1	S2	Weight		Total
	4pole	2 pole																				Pump (kg)	Motor (kg)	
ICC 32-13	Y2-801-4		0.55	50	32	80	112	140	152	167	407	125	100	80	220	100	70	190	140	14	10	27	16	43
	Y2-802-2		1.1	50	32	80	112	140	152	167	407	125	100	80	220	100	70	190	140	14	10	27	17	44
	Y2-90S-2		1.5	50	32	80	112	140	152	173	422	140	100	90	250	100	70	190	140	14	10	27	21	48
	Y2-90L-2		2.2	50	32	80	112	140	152	173	447	140	125	90	250	100	70	190	140	14	10	27	26	52
ICC 32-16	Y2-801-4		0.55	50	32	80	132	160	152	167	407	125	100	80	220	100	70	240	190	14	10	31	16	48
	Y2-802-4		0.75	50	32	80	132	160	152	167	407	125	100	80	220	100	70	240	190	14	10	31	17	49
	Y2-90L-2		2.2	50	32	80	132	160	152	173	447	140	125	90	250	100	70	240	190	14	10	32	26	57
	Y2-100L-2		3.0	50	32	80	132	160	164	192	489	160	140	100	270	100	70	240	190	14	12	33	44	77
	Y2-112 M-2		4.0	50	32	80	132	160	164	199	504	190	140	112	300	100	70	240	190	14	12	33	43	76
Y2-132S1-2		5.5	50	32	80	132	160	187	241	577	216	140	132	345	100	70	240	190	14	15	38	65	103	
ICC 32-20	Y2-801-4		0.55	50	32	80	160	180	152	167	407	125	100	80	220	100	70	240	190	14	10	38	16	54
	Y2-802-4		0.75	50	32	80	160	180	152	167	407	125	100	80	220	100	70	240	190	14	10	38	17	55
	Y2-90S-4		1.1	50	32	80	160	180	152	173	422	140	100	90	250	100	70	240	190	14	10	39	22	62
	Y2-90L-4		1.5	50	32	80	160	180	152	173	447	140	125	90	250	100	70	240	190	14	10	39	27	66
	Y2-112M-2		4.0	50	32	80	160	180	164	199	504	190	140	112	300	100	70	240	190	14	12	42	43	85
	Y2-132S1-2		5.5	50	32	80	160	180	187	241	577	216	140	132	345	100	70	240	190	14	12	44	65	109
	Y2-132S2-2		7.5	50	32	80	160	180	187	241	577	216	140	132	345	100	70	240	190	14	12	44	69	114
Y2-160M1-2		11	50	32	80	160	180	219	292	724	254	210	160	420	100	70	240	190	14	15	49	108	157	
ICC 32-26	Y2-100L1-4		2.2	50	32	100	180	225	174	187.5	499	160	140	100	270	125	95	320	250	14	12	55	34	89
	Y2-100L2-4		3	50	32	100	180	225	174	187.5	499	160	140	100	270	125	95	320	250	14	12	55	37	92
	Y2-160M1-2		11	50	32	100	180	225	229	287.5	734	254	210	160	420	125	95	320	250	14	15	63	108	171
	Y2-160M2-2		15	50	32	100	180	225	229	287.5	734	254	210	160	420	125	95	320	250	14	15	63	109	173
	Y2-160L-2		18.5	50	32	100	180	225	229	287.5	789	254	254	160	420	125	95	320	250	14	15	63	133	196
	Y2-124M-2		22	50	32	100	180	225	229	300.5	819	279	241	180	455	125	95	320	250	14	15	64	155	219
ICC 40-13	Y2-801-4		0.55	65	40	80	112	140	152	167	407	125	100	80	220	100	70	210	160	14	10	29	16	45
	Y2-90S-2		1.5	65	40	80	112	140	152	173	422	140	100	90	250	100	70	210	160	14	10	30	21	51
	Y2-90L-2		2.2	65	40	80	112	140	152	173	447	140	125	90	250	100	70	210	160	14	10	30	26	55
	Y2-100L-2		3.0	65	40	80	112	140	164	192	489	160	140	100	270	100	70	210	160	14	12	32	44	76
	Y2-112 M-2		4.0	65	40	80	112	140	164	199	504	190	140	112	300	100	70	210	160	14	12	32	43	75
ICC 40-16	Y2-801-4		0.55	65	40	80	132	160	152	167	407	125	100	80	220	100	70	240	190	14	10	32	16	48
	Y2-802-4		0.75	65	40	80	132	160	152	167	407	125	100	80	220	100	70	240	190	14	10	32	17	49
	Y2-90S-4		1.1	65	40	80	132	160	152	173	422	140	100	90	250	100	70	240	190	14	10	33	22	56
	Y2-100L-2		3.0	65	40	80	132	160	164	192	489	160	140	100	270	100	70	240	190	14	12	35	44	79
	Y2-112 M-2		4.0	65	40	80	132	160	164	199	504	190	140	112	300	100	70	240	190	14	12	35	43	78
	Y2-132S1-2		5.5	65	40	80	132	160	187	241	577	216	140	132	345	100	70	240	190	14	12	39	65	104
ICC 40-20	Y2-802-4		0.75	65	40	100	160	180	152	167	407	125	100	80	220	100	70	265	212	14	10	37	17	54
	Y2-90S-4		1.1	65	40	100	160	180	152	173	422	140	100	90	250	100	70	265	212	14	10	38	22	61
	Y2-90L-4		1.5	65	40	100	160	180	152	173	447	140	125	90	250	100	70	265	212	14	10	38	27	65
	Y2-132S1-2		5.5	65	40	100	160	180	187	241	577	216	140	132	345	100	70	265	212	14	12	43	65	108
	Y2-132S2-2		7.5	65	40	100	160	180	187	241	577	216	140	132	345	100	70	265	212	14	12	43	69	112
Y2-160M1-2		11	65	40	100	160	180	219	292	724	254	210	160	420	100	70	265	212	14	15	48	108	156	

Pump dimension may vary, please refer to manufacturer.

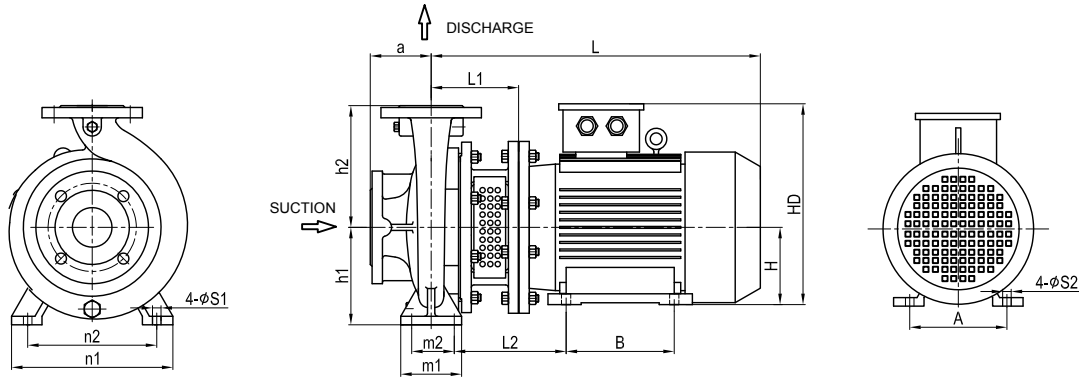
## DIMENSION



Pump Model	Motor Model (50Hz)		kw	DN1	a	h1	h2	L	L2	L	A	B	H	HD	m1	m2	n1	n2	S1	S2	Weight			
	4pole	2 pole																			Pump (kg)	Motor (kg)	Total	
ICC 40-26	Y2-100L1-4		22	65	40	100	180	225	174	187.5	499	160	140	100	270	125	95	320	250	14	12	55	34	89
	Y2-100L2-4		3	65	40	100	180	225	174	187.5	499	160	140	100	270	125	95	320	250	14	12	55	37	92
		Y2-160M1-2	11	65	40	100	180	225	229	287.5	734	254	210	160	420	125	95	320	250	14	15	63	108	171
		Y2-160M2-2	15	65	40	100	180	225	229	287.5	734	254	210	160	420	125	95	320	250	14	15	63	109	172
		Y2-160L-2	18.5	65	40	100	180	225	229	287.5	789	254	254	160	420	125	95	320	250	14	15	63	133	195
	Y2-180M-2	22	65	40	100	180	225	229	300.5	819	279	241	180	455	125	95	320	250	14	15	63	155	218	
ICC 40-32	Y2-100L2-4		3	65	40	125	200	250	180	195.5	505	160	140	100	270	125	95	345	280	14	12	75	37	112
	Y2-112IA-4		4	65	40	125	200	250	180	202.5	520	190	140	112	300	125	95	345	280	14	12	75	47	122
	Y2-132S-4		5.5	65	40	125	200	250	202	243.5	592	216	140	132	345	125	95	345	280	14	12	79	65	144
	Y2-132IA-4		7.5	65	40	125	200	250	202	243.5	632	216	178	132	345	125	95	345	280	14	12	79	79	157
		Y2-180M-2	22	65	40	125	200	250	238	311.5	828	279	241	180	455	125	95	345	280	14	15	84	155	239
		Y2-200L1-2	30	65	40	125	200	250	238	323.5	898	318	305	200	505	125	95	345	280	14	19	88	224	313
		Y2-200L2-2	37	65	40	125	200	250	238	323.5	898	318	305	200	505	125	95	345	280	14	19	88	235	323
	Y2-225IA-2	45	65	40	125	200	250	238	339.5	943	356	311	225	560	125	95	345	280	14	19	96	286	381	
	Y2-250M-2	55	65	40	125	200	250	274	394.5	1044	406	349	250	615	125	95	345	280	14	24	114	373	487	
ICC 50-13	Y2-80I-4		0.55	65	50	100	132	160	152	167	407	125	100	80	220	100	70	240	190	14	10	30	16	46
	Y2-80Z-4		0.75	65	50	100	132	160	152	167	407	125	100	80	220	100	70	240	190	14	10	30	17	47
	Y2-90S-4		11.0	65	50	100	132	160	152	173	422	140	100	90	250	100	70	240	190	14	10	31	22	54
		Y2-100L-2	3.0	65	50	100	132	160	164	192	489	160	140	100	270	100	70	240	190	14	12	39	44	83
		Y2-112N01-2	4.0	65	50	100	132	160	164	199	504	190	140	112	300	100	70	240	190	14	12	39	43	82
		Y2-132S1-2	5.5	65	50	100	132	160	187	241	577	216	140	132	345	100	70	240	190	14	12	40	65	105
		Y2-132S2-2	7.5	65	50	100	132	160	187	241	577	216	140	132	345	100	70	240	190	14	12	40	69	109
ICC 50-16	Y2-80I-4		0.55	65	50	100	160	180	152	167	407	125	100	80	220	100	70	265	212	14	10	35	16	51
	Y2-80Z-4		0.75	65	50	100	160	180	152	167	407	125	100	80	220	100	70	265	212	14	10	35	17	52
	Y2-90S-4		1.1	65	50	100	160	180	152	173	422	140	100	90	250	100	70	265	212	14	10	36	22	58
	Y2-90L-4		1.5	65	50	100	160	180	152	173	447	140	125	90	250	100	70	265	212	14	10	36	27	62
		Y2-132S1-2	5.5	65	50	100	160	180	187	241	577	216	140	132	345	100	70	265	212	14	12	42	65	107
		Y2-132S2-2	7.5	65	50	100	160	180	187	241	577	216	140	132	345	100	70	265	212	14	12	42	69	111
		Y2-160M1-2	11	65	50	100	160	180	219	292	724	254	210	160	420	100	70	265	212	14	15	45	108	153
	Y2-160M2-2	15	65	50	100	160	180	219	292	724	254	210	160	420	100	70	265	212	14	15	45	109	154	
ICC 50-20	Y2-90S-4		1.1	65	50	100	160	200	155	173	425	140	100	90	250	100	70	265	212	14	10	43	22	65
	Y2-90L-4		1.5	65	50	100	160	200	155	173	450	140	125	90	250	100	70	265	212	14	10	43	27	70
	Y2-100L1-4		2.2	65	50	100	160	200	167	192	492	160	140	100	270	100	70	265	212	14	12	46	34	79
		Y2-132S2-2	7.5	65	50	100	160	200	190	241	580	216	140	132	345	100	70	265	212	14	12	48	69	117
		Y2-160M1-2	11	65	50	100	160	200	222	292	727	254	210	160	420	100	70	265	212	14	15	53	108	161
		Y2-160M2-2	15	65	50	100	160	200	222	292	727	254	210	160	420	100	70	265	212	14	15	53	109	162
	Y2-160L-2	18.5	65	50	100	160	200	222	292	782	254	254	160	420	100	70	265	212	14	15	53	133	185	
ICC 50-26	Y2-100L1-4		22	65	50	100	180	225	175	187.5	500	160	140	100	270	125	95	320	250	14	12	56	34	90
	Y2-100L2-4		3	65	50	100	180	225	175	187.5	500	160	140	100	270	125	95	320	250	14	12	56	37	93
	Y2-112M-4		4	65	50	100	180	225	175	194.5	515	190	178	112	300	125	95	320	250	14	12	56	47	103
	Y2-132S-4		5.5	65	50	100	180	225	198	236.5	588	216	140	132	345	125	95	320	250	14	12	60	65	125

Pump dimension may vary, please refer to manufacturer.

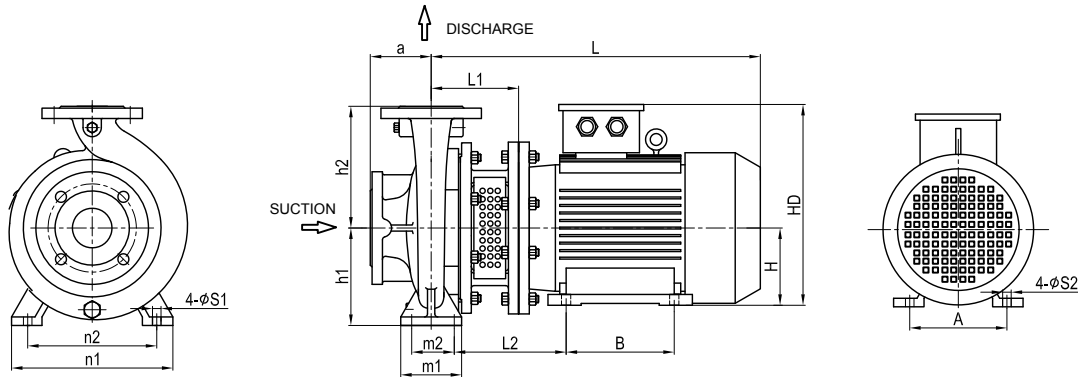
## DIMENSION



Pump Model	Motor Model (50Hz)		kw	DNI	a	h1	h2	L	L2	L	A	B	H	HD	m1	m2	n1	n2	S1	S2	Weight		Total	
	4pole	2 pole																			Pump (kg)	Motor (kg)		
ICC 40-26	Y2-100L1-4		22	65	40	100	180	225	174	187.5	499	160	140	100	270	125	95	320	250	14	12	55	34	89
	Y2-100L2-4		3	65	40	100	180	225	174	187.5	499	160	140	100	270	125	95	320	250	14	12	55	37	92
		Y2-160M1-2	11	65	40	100	180	225	229	287.5	734	254	210	160	420	125	95	320	250	14	15	63	108	171
		Y2-160M2-2	15	65	40	100	180	225	229	287.5	734	254	210	160	420	125	95	320	250	14	15	63	109	172
		Y2-160L-2	18.5	65	40	100	180	225	229	287.5	789	254	254	160	420	125	95	320	250	14	15	63	133	195
	Y2-180M-2	22	65	40	100	180	225	229	300.5	819	279	241	180	455	125	95	320	250	14	15	63	155	218	
ICC 40-32	Y2-100L2-4		3	65	40	125	200	250	180	195.5	505	160	140	100	270	125	95	345	280	14	12	75	37	112
	Y2-112IA-4		4	65	40	125	200	250	180	202.5	520	190	140	112	300	125	95	345	280	14	12	75	47	122
	Y2-132S-4		5.5	65	40	125	200	250	202	243.5	592	216	140	132	345	125	95	345	280	14	12	79	65	144
	Y2-132IA-4		7.5	65	40	125	200	250	202	243.5	632	216	178	132	345	125	95	345	280	14	12	79	79	157
		Y2-180M-2	22	65	40	125	200	250	238	311.5	828	279	241	180	455	125	95	345	280	14	15	84	155	239
		Y2-200L1-2	30	65	40	125	200	250	238	323.5	898	318	305	200	505	125	95	345	280	14	19	88	224	313
		Y2-200L2-2	37	65	40	125	200	250	238	323.5	898	318	305	200	505	125	95	345	280	14	19	88	235	323
	Y2-225IA-2	45	65	40	125	200	250	238	339.5	943	356	311	225	560	125	95	345	280	14	19	96	286	381	
	Y2-250M-2	55	65	40	125	200	250	274	394.5	1044	406	349	250	615	125	95	345	280	14	24	114	373	487	
ICC 50-13	Y2-80I-4		0.55	65	50	100	132	160	152	167	407	125	100	80	220	100	70	240	190	14	10	30	16	46
	Y2-80Z-4		0.75	65	50	100	132	160	152	167	407	125	100	80	220	100	70	240	190	14	10	30	17	47
	Y2-90S-4		1.1	65	50	100	132	160	152	173	422	140	100	90	250	100	70	240	190	14	10	31	22	54
		Y2-100L-2	3.0	65	50	100	132	160	164	192	489	160	140	100	270	100	70	240	190	14	12	39	44	83
		Y2-112N01-2	4.0	65	50	100	132	160	164	199	504	190	140	112	300	100	70	240	190	14	12	39	43	82
		Y2-132S1-2	5.5	65	50	100	132	160	187	241	577	216	140	132	345	100	70	240	190	14	12	40	65	105
		Y2-132S2-2	7.5	65	50	100	132	160	187	241	577	216	140	132	345	100	70	240	190	14	12	40	69	109
ICC 50-16	Y2-80I-4		0.55	65	50	100	160	180	152	167	407	125	100	80	220	100	70	265	212	14	10	35	16	51
	Y2-80Z-4		0.75	65	50	100	160	180	152	167	407	125	100	80	220	100	70	265	212	14	10	35	17	52
	Y2-90S-4		1.1	65	50	100	160	180	152	173	422	140	100	90	250	100	70	265	212	14	10	36	22	58
	Y2-90L-4		1.5	65	50	100	160	180	152	173	447	140	125	90	250	100	70	265	212	14	10	36	27	62
		Y2-132S1-2	5.5	65	50	100	160	180	187	241	577	216	140	132	345	100	70	265	212	14	12	42	65	107
		Y2-132S2-2	7.5	65	50	100	160	180	187	241	577	216	140	132	345	100	70	265	212	14	12	42	69	111
		Y2-160M1-2	11	65	50	100	160	180	219	292	724	254	210	160	420	100	70	265	212	14	15	45	108	153
	Y2-160M2-2	15	65	50	100	160	180	219	292	724	254	210	160	420	100	70	265	212	14	15	45	109	154	
ICC 50-20	Y2-90S-4		1.1	65	50	100	160	200	155	173	425	140	100	90	250	100	70	265	212	14	10	43	22	65
	Y2-90L-4		1.5	65	50	100	160	200	155	173	450	140	125	90	250	100	70	265	212	14	10	43	27	70
	Y2-100L1-4		2.2	65	50	100	160	200	167	192	492	160	140	100	270	100	70	265	212	14	12	46	34	79
		Y2-132S2-2	7.5	65	50	100	160	200	190	241	580	216	140	132	345	100	70	265	212	14	12	48	69	117
		Y2-160M1-2	11	65	50	100	160	200	222	292	727	254	210	160	420	100	70	265	212	14	15	53	108	161
		Y2-160M2-2	15	65	50	100	160	200	222	292	727	254	210	160	420	100	70	265	212	14	15	53	109	162
	Y2-160L-2	18.5	65	50	100	160	200	222	292	782	254	254	160	420	100	70	265	212	14	15	53	133	185	
ICC 50-26	Y2-100L1-4		22	65	50	100	180	225	175	187.5	500	160	140	100	270	125	95	320	250	14	12	56	34	90
	Y2-100L2-4		3	65	50	100	180	225	175	187.5	500	160	140	100	270	125	95	320	250	14	12	56	37	93
	Y2-112M-4		4	65	50	100	180	225	175	194.5	515	190	178	112	300	125	95	320	250	14	12	56	47	103
	Y2-132S-4		5.5	65	50	100	180	225	198	236.5	588	216	140	132	345	125	95	320	250	14	12	60	65	125

Pump dimension may vary, please refer to manufacturer.

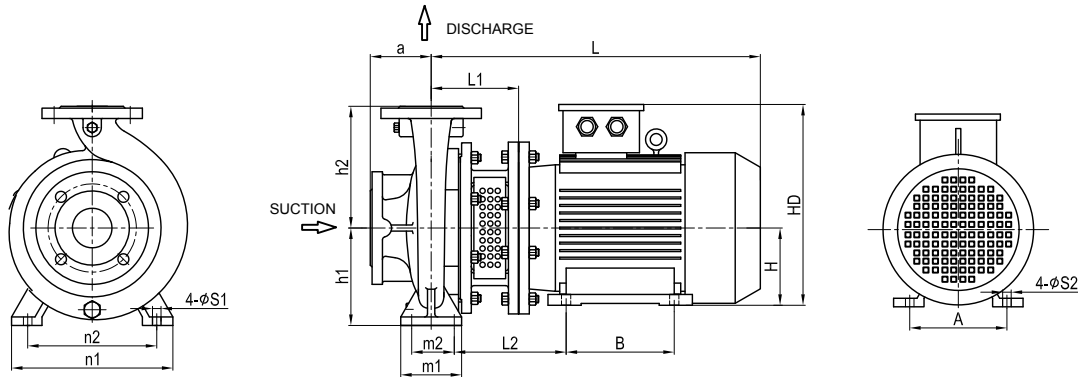
## DIMENSION



Pump Model	Motor Model (50Hz)		kw	DNI	a	h1	h2	L	L2	L	A	B	H	HD	m1	m2	n1	n2	S1	S2	Weight		Total		
	4pole	2 pole																			Pump (kg)	Motor (kg)			
ICC 65-32	Y2-13Z5-4		5.5	80	65	125	225	280	201	230	591	216	140	132	345	160	120	400	315	18	12	92	65	157	
	Y2-13Z1A-4		7.5	80	65	125	225	280	201	230	631	216	178	132	345	160	120	400	315	18	12	92	79	171	
	Y2-160M-4		11	80	65	125	225	280	235	283	740	254	210	160	420	160	120	400	315	18	15	95	108	203	
	Y2-160L-4		15	80	65	125	225	280	235	283	795	254	254	160	420	160	120	400	315	18	15	95	129	224	
		Y2-2251A-2		45	80	65	125	225	280	252	341	957	356	311	225	560	160	120	400	315	18	19	116	286	401
		Y2-250M-2		55	80	65	125	225	280	272	380	1042	406	349	250	615	160	120	400	315	18	24	122	373	496
		Y2-280S-2		75	80	65	125	225	280	272	402	1117	457	368	280	680	160	120	400	315	18	24	122	485	607
ICC 80-16	Y2-90L-4		15	100	80	125	180	225	152	160.5	447	140	125	90	250	125	95	320	250	14	10	49	27	76	
	Y2-100L1-4		2.2	100	80	125	180	225	164	179.5	489	160	140	100	270	125	95	320	250	14	12	51	34	85	
	Y2-100L2-4		3	100	80	125	180	225	164	179.5	489	160	140	100	270	125	95	320	250	14	12	51	37	88	
		Y2-160M1-2		11	100	80	125	180	225	219	279.5	724	254	210	160	420	125	95	320	250	14	15	58	108	166
		Y2-160M2-2		15	100	80	125	180	225	219	279.5	724	254	210	160	420	125	95	320	250	14	15	58	109	167
		Y2-160L-2		18.5	100	80	125	180	225	219	279.5	779	254	254	160	420	125	95	320	250	14	15	58	133	191
		Y2-180M-2		22	100	80	125	180	225	219	292.5	809	279	241	180	455	125	95	320	250	14	15	58	155	213
ICC 80-20	Y2-100L2-4		3	100	80	125	180	250	180	195.5	505	160	140	100	270	125	95	345	280	14	12	56	37	93	
	Y2-112M-4		4	100	80	125	180	250	180	202.5	520	190	140	112	300	125	95	345	280	14	12	56	47	103	
	Y2-13Z5-4		5.5	100	80	125	180	250	203	244.5	593	216	140	132	345	125	95	345	280	14	12	60	65	125	
	Y2-13ZM-4		7.5	100	80	125	180	250	203	244.5	633	216	178	132	345	125	95	345	280	14	12	60	79	138	
		Y2-180M-2		22	100	80	125	180	250	235	308.5	825	279	241	180	455	125	95	345	280	14	15	68	155	223
		Y2-200L1-2		30	100	80	125	180	250	238	323.5	898	318	305	200	505	125	95	345	280	14	19	70	224	294
		Y2-200L2-2		37	100	80	125	180	250	238	323.5	898	318	305	200	505	125	95	345	280	14	19	70	235	305
ICC 80-26	Y2-13Z5M-2		45	100	80	125	180	250	238	339.5	943	356	311	225	560	125	95	345	280	14	19	75	286	360	
	Y2-13Z5-4		5.5	100	80	125	200	280	203	232	593	216	140	132	345	160	120	400	315	18	12	75	65	140	
	Y2-13ZM-4		7.5	100	80	125	200	280	203	232	633	216	178	132	345	160	120	400	315	18	12	75	79	153	
	Y2-160M-4		11	100	80	125	200	280	235	283	740	254	210	160	420	160	120	400	315	18	15	81	108	189	
		Y2-200L2-2		37	100	80	125	200	280	238	311	898	318	305	200	505	160	120	400	315	18	19	100	235	335
		Y2-225M-2		45	100	80	125	200	280	238	327	943	356	311	225	560	160	120	400	315	18	19	102	286	388
		Y2-250M-2		55	100	80	125	200	280	272	380	1042	406	349	250	615	160	120	400	315	18	24	105	373	478
ICC 80-32	Y2-280S-2		75	100	80	125	200	280	272	402	1117	457	368	280	680	160	120	400	315	18	24	105	485	589	
	Y2-13Z1A-4		7.5	100	80	125	250	315	201	230	631	216	178	132	345	160	120	400	315	18	12	95	79	174	
	Y2-160M-4		11	100	80	125	250	315	235	283	740	254	210	160	420	160	120	400	315	18	15	100	108	208	
	Y2-160L-4		15	100	80	125	250	315	235	283	795	254	254	160	420	160	120	400	315	18	15	100	129	229	
	Y2-180M-4		18.5	100	80	125	250	315	235	296	825	279	241	180	455	160	120	400	315	18	15	105	157	262	
		Y2-280S-2		75	100	80	125	250	315	272	402	1117	457	368	280	680	160	120	400	315	18	24	127	485	612
		Y2-280M-2		90	100	80	125	250	315	272	402	1167	457	419	280	680	160	120	400	315	18	24	127	541	668
ICC 80-40	Y2-160L-4		15	100	80	125	280	355	249	297	809	254	254	160	420	160	120	400	340	18	15	140	129	269	
	Y2-180M-4		18.5	100	80	125	280	355	249	310	839	279	241	180	455	160	120	400	340	18	15	142	157	299	
	Y2-180L-4		22	100	80	125	280	355	249	310	879	279	279	180	455	160	120	400	340	18	15	142	179	321	
	Y2-200L-4		30	100	80	125	280	355	249	322	909	318	305	200	505	160	120	400	340	18	19	148	240	387	

Pump dimension may vary, please refer to manufacturer.

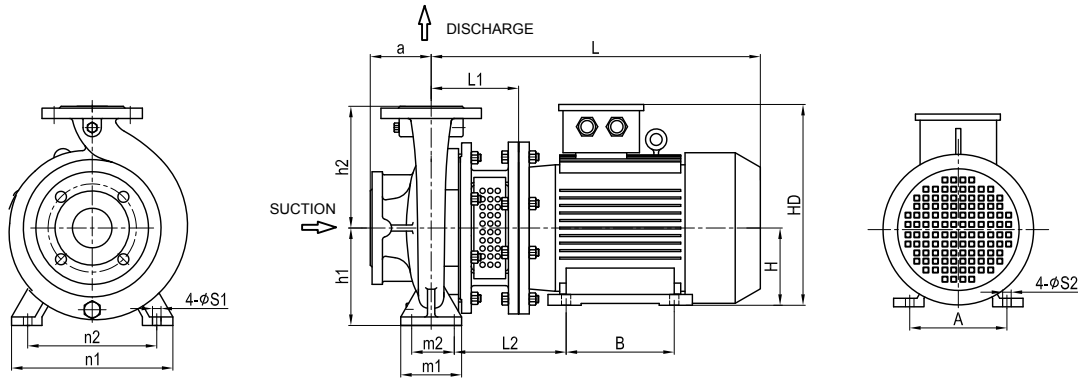
## DIMENSION



Pump Model	Motor Model (50Hz)		kw	DN1		a	h1	h2	L	L2	L	A	B	H	HD	m1	m2	n1	n2	S1	S2	Weight			
	4pole	2 pole																				Pump (kg)	Motor (kg)	Total	
ICC 100-16	Y2-100L1-4		2.2	125	100	125	200	250	191	194	516	160	140	100	270	160	120	360	280	18	12	70	34	104	
	Y2-100L2-4		3	125	100	125	200	250	191	194	516	160	140	100	270	160	120	360	280	18	12	70	37	107	
	Y2-112M-4		4	125	100	125	200	250	191	201	531	190	140	112	300	160	120	360	280	18	12	71	47	118	
		Y2-160M2-2		15	125	100	125	200	250	246	294	751	254	210	160	420	160	120	360	280	18	15	78	109	187
		Y2-160L-2		18.5	125	100	125	200	250	246	294	806	254	241	160	420	160	120	360	280	18	15	78	133	211
		Y2-180M-2		22	125	100	125	200	250	246	307	836	279	241	180	455	160	120	360	280	18	15	80	155	235
	Y2-200L1-2		30	125	100	125	200	250	249	322	909	318	305	200	505	160	120	360	280	18	19	82	224	306	
ICC 100-20	Y2-100I2-4		3	125	100	125	200	280	180	183	505	160	140	100	270	160	120	360	280	18	12	68	37	105	
	Y2-112M-4		4	125	100	125	200	280	180	190	520	190	140	112	300	160	120	360	280	18	12	68	47	115	
	Y2-132S-4		5.5	125	100	125	200	280	203	232	593	216	140	132	345	160	120	360	280	18	12	69	65	134	
	Y2-132M-4		7.5	125	100	125	200	280	203	232	633	216	178	132	345	160	120	360	280	18	12	69	79	147	
	Y2-160M-4		11	125	100	125	200	280	235	283	740	254	210	160	420	160	120	360	280	18	15	72	108	180	
		Y2-200L1-2		30	125	100	125	200	280	238	311	898	318	305	200	505	160	120	360	280	18	19	79	224	303
		Y2-200L2-2		37	125	100	125	200	280	238	311	898	318	305	200	505	160	120	360	280	18	19	79	235	313
		Y2-225M-2		45	125	100	125	200	280	238	327	943	356	311	225	560	160	120	360	280	18	19	83	286	369
	Y2-250M-2		55	125	100	125	200	280	272	380	1042	406	349	250	615	160	120	360	280	18	24	95	373	469	
	Y2-280S-2		75	125	100	125	200	280	272	402	1117	457	368	280	680	160	120	360	280	18	24	96	485	580	
ICC 100-26	Y2-132M-4		7.5	125	100	140	225	280	207	236	637	216	178	132	345	160	120	400	315	18	12	85	79	164	
	Y2-160M-4		11	125	100	140	225	280	239	287	744	254	210	160	420	160	120	400	315	18	15	89	108	197	
	Y2-160L-4		15	125	100	140	225	280	239	287	799	254	254	160	420	160	120	400	315	18	15	89	129	217	
		Y2-250 M-2		55	125	100	140	225	280	276	384	1046	406	349	250	615	160	120	400	315	18	24	105	373	478
		Y2-280S-2		75	125	100	140	225	280	276	406	1121	457	368	280	680	160	120	400	315	18	24	112	485	597
		Y2-280M-2		90	125	100	140	225	280	276	406	1171	457	419	280	680	160	120	400	315	18	24	112	541	653
ICC 100-32	Y2-160M-4		11	125	100	140	250	315	235	283	740	254	210	160	420	160	120	400	315	18	15	105	108	213	
	Y2-160L-4		15	125	100	140	250	315	235	283	795	254	254	160	420	160	120	400	315	18	15	105	129	233	
	Y2-180M-4		18.5	125	100	140	250	315	235	296	825	279	241	180	455	160	120	400	315	18	15	105	157	262	
	Y2-180L-4		22	125	100	140	250	315	235	296	865	279	279	180	455	160	120	400	315	18	15	105	179	283	
	Y2-200L-4		30	125	100	140	250	315	237	310	897	318	305	200	505	160	120	400	315	18	19	111	240	351	
ICC 100-40	Y2-180L-4		22	125	100	140	280	355	249	295	879	279	279	180	455	200	150	500	400	23	15	160	179	339	
	Y2-200L-4		30	125	100	140	280	355	249	307	909	318	305	200	505	200	150	500	400	23	19	162	240	401	
	Y2-225S-4		37	125	100	140	280	355	284	358	964	356	286	225	560	200	150	500	400	23	19	168	301	469	
	Y2-229A-4		45	125	100	140	280	355	284	358	989	356	311	225	560	200	150	500	400	23	19	168	312	480	
ICC 125-20	Y2-132M-4		7.5	150	125	140	250	315	203	232	633	216	178	132	345	160	120	400	315	18	12	92	79	171	
	Y2-1E4M-4		11	150	125	140	250	315	235	283	740	254	210	160	420	160	120	400	315	18	15	96	108	204	
		Y2-225M-2		45	150	125	140	250	315	238	327	943	356	311	225	560	160	120	400	315	18	19	106	286	392
		Y2-250M-2		55	150	125	140	250	315	272	380	1042	406	349	250	615	160	120	400	315	18	24	118	373	491
		Y2-280S-2		75	150	125	140	250	315	272	402	1117	457	368	280	680	160	120	400	315	18	24	119	485	604
		Y2-280M-2		90	150	125	140	250	315	272	402	1167	457	419	280	680	160	120	400	315	18	24	122	541	663
ICC 125-26	Y2-160NA-4		11	150	125	140	250	355	239	287	744	254	210	160	420	160	120	400	315	18	15	104	108	212	
	Y2-160L-4		15	150	125	140	250	355	239	287	799	254	254	160	420	160	120	400	315	18	15	104	129	233	
	Y2-180M-4		18.5	150	125	140	250	355	239	300	829	279	241	180	455	160	120	400	315	18	15	104	157	261	
	Y2-180L-4		22	150	125	140	250	355	239	300	869	279	279	180	455	160	120	400	315	18	15	104	179	283	
	Y2-200L-4		30	150	125	140	250	355	239	315	901	318	305	200	505	160	120	400	315	18	19	110	240	350	

Pump dimension may vary, please refer to manufacturer.

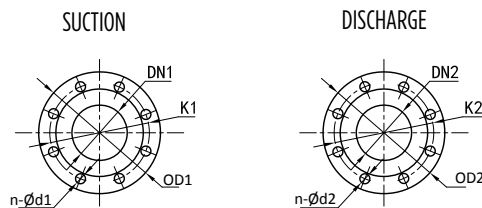
## DIMENSION



Pump Model	Motor Model (50Hz)		kw	DN1	a	h1	h2	L	L2	L	A	B	H	HD	m1	m2	n1	n2	S1	S2	Weight			
	4pole	2 pole																			Pump (kg)	Motor (kg)	Total	
ICC 125-32	Y2-160L-4		15	150	125	140	280	355	249	282	809	254	254	160	420	200	150	500	400	23	15	138	129	266
	Y2-180M-4		18.5	150	125	140	280	355	249	295	839	279	279	180	455	200	150	500	400	23	15	138	157	295
	Y2-180L-4		22	150	125	140	280	355	249	295	879	279	279	180	455	200	150	500	400	23	15	138	179	316
	Y2-200L-4		30	150	125	140	280	355	249	307	909	318	305	200	505	200	150	500	400	23	19	140	240	379
	Y2-225S-4		37	150	125	140	280	355	285	359	965	356	286	225	560	200	150	500	400	23	19	148	301	449
ICC 125-40	Y2-200L-4		30	150	125	140	315	400	249	307	909	318	305	200	505	200	150	500	400	23	19	170	240	410
	Y2-225S-4		37	150	125	140	315	400	284	358	964	356	286	225	560	200	150	500	400	23	19	176	301	476
	Y2-229A-4		45	150	125	140	315	400	284	358	989	356	311	225	560	200	150	500	400	23	19	176	312	488
	Y2-250M-4		55	150	125	140	315	400	284	377	1054	406	349	250	615	200	150	500	400	23	24	180	383	562
	Y2-280S-4		75	150	125	140	315	400	284	399	1129	457	368	280	680	200	150	500	400	23	24	181	544	725
ICC 150-20	Y2-160M-4		11	200	150	160	280	400	262	295	767	254	241	160	420	200	150	400	315	23	15	96	108	204
	Y2-160L-4		15	200	150	160	280	400	262	295	822	254	254	160	420	200	150	400	315	23	15	96	129	225
	Y2-180M-4		18.5	200	150	160	280	400	262	308	852	279	241	180	455	200	150	400	315	23	15	98	157	255
ICC 150-26	Y2-160L-4		15	200	150	160	250	355	248	281	808	254	254	160	420	200	150	450	350	23	15	135	129	264
	Y2-180M-4		18.5	200	150	160	250	355	248	294	838	279	241	180	455	200	150	450	350	23	15	135	157	292
	Y2-180L-4		22	200	150	160	250	355	248	294	878	279	279	180	455	200	150	450	350	23	15	135	179	314
	Y2-200L-4		30	200	150	160	250	355	248	306	908	318	305	200	505	200	150	450	350	23	19	154	240	394
ICC 150-32	Y2-180L-4		22	200	150	160	280	400	250	295	880	279	279	180	455	200	150	550	450	23	15	153	179	332
	Y2-200L-4		30	200	150	160	280	400	250	307	910	318	305	200	505	200	150	550	450	23	19	155	240	395
	Y2-225S-4		37	200	150	160	280	400	286	359	966	356	286	225	560	200	150	550	450	23	19	163	301	464
	Y2-225A-4		45	200	150	160	280	400	286	359	991	356	311	225	560	200	150	550	450	23	19	163	312	476
	Y2-250M-4		55	200	150	160	280	400	286	378	1056	406	349	250	615	200	150	550	450	23	24	178	383	561
ICC 150-40	Y2-225S-4		37	200	150	160	315	450	286	358	966	356	286	225	560	200	150	550	450	23	19	200	301	501
	Y2-229 A-4		45	200	150	160	315	450	286	358	991	356	311	225	560	200	150	550	450	23	19	200	312	512
	Y2-250M-4		55	200	150	160	315	450	286	377	1056	406	349	250	615	200	150	550	450	23	24	203	383	586
	Y2-280S-4		75	200	150	160	315	450	286	399	1131	457	368	280	680	200	150	550	450	23	24	205	544	748
	Y2-280M-4		90	200	150	160	315	450	286	399	1181	457	419	280	680	200	150	550	450	23	24	205	587	791

Pump dimension may vary, please refer to manufacturer.

Flanges Dimension (DIN 2501 PN16)			
DN1 / DN2	OD1 / OD2	K1 / K2	n-Ød1 / n-Ød1
DN 32	140	100	4 - Ø 18
DN 40	150	110	4 - Ø 18
DN 50	165	125	4 - Ø 18
DN 65	185	145	4 - Ø 18
DN 80	200	160	4 - Ø 18
DN 100	220	180	4 - Ø 18
DN 125	250	210	4 - Ø 18
DN 150	285	240	8 - Ø 22
DN 200	340	295	12 - Ø 22





## Franklin Electric



[franklinwatersea.com](http://franklinwatersea.com)

**Franklin Electric (SEA) Pte Ltd**  
17 changi business Park Central 1  
#06-05 Honeywell Building  
Singapore 486073, SINGAPORE  
Tel : +65 6789 6865  
Fax : +65 6789 0155  
Email : [fesea@fele.com](mailto:fesea@fele.com)

Franklin Electric (SEA) Pte Ltd reserves the right to amend specification without prior notice



**Franklin Electric**