

4CB Control Box

Control Box that provides protection to Coverco single phase oil filled submersible motor

Technical Data

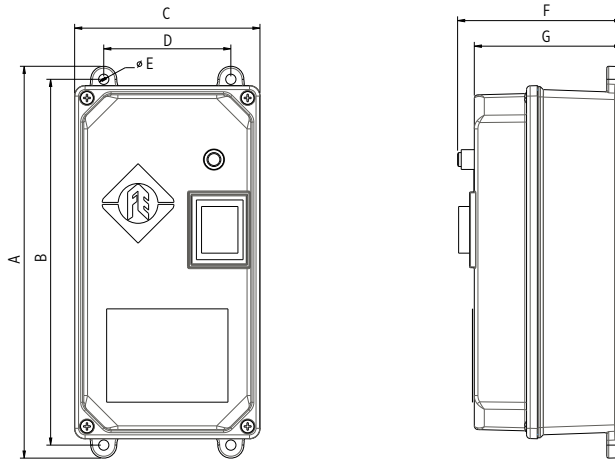
- Main internal components: Switch, Thermal Relay and Permanent Capacitor
- IP-53 thermoplastic external box
- Power: 0.5HP a 3HP
- Voltage: 220V single phase



Ordering Information

Model	Description	Power HP	Voltage V	Item No
4CB	CB25 0.5HP 220V 3W 50HZ	0.5	220	98304C5001
	CB25 0.75HP 220V 3W 50HZ	0.75		98304C5002
	CB25 1.0HP 220V 3W 50HZ	1		98304C5003
	CB25 1.5HP 220V 3W 50HZ	1.5		98304C5004
	CB25 2.0HP 220V 3W 50HZ	2		98304C5005
	CB25 3.0HP 220V 3W 50HZ	3		98304C5006

Dimension



Model	Dimensions (mm)							Weight kg
	A	B	C	D	E (φ)	F	G	
4CB	217	203	104	80	6.0	85	70	0.5

Product Identification

