



**Franklin Electric**

# SUBMERSIBLE PUMPS

4" TRI-SEAL HIGH CAPACITY PUMPS





# SUBMERSIBLE PUMPS

## 4" TRI-SEAL HIGH CAPACITY PUMPS



### 4" TRI-SEAL HIGH CAPACITY PUMPS

Features .....	4
Model No. Explanation .....	4
Order Information .....	5
Exploded View Drawing .....	6
Component List .....	7
<b>100 LPM High Capacity .....</b>	<b>8</b>
Performance Curve .....	
Dimensions .....	
<b>150 LPM High Capacity .....</b>	<b>9</b>
Performance Curve .....	
Dimensions .....	
<b>200 LPM High Capacity .....</b>	<b>10</b>
Performance Curve .....	
Dimensions .....	
<b>270 LPM High Capacity .....</b>	<b>11</b>
Performance Curve .....	
Dimensions .....	

For the most up-to-date product information, visit [franklinwater.com](http://franklinwater.com).

# SUBMERSIBLE PUMPS

## 4" TRI-SEAL HIGH CAPACITY PUMPS

Basic Model	PEI <sub>CL</sub> Number
35S4	0.83

### FEATURES

- Four performance ranges: 100, 150, 200 and 270 LPM
- 2" BSPP discharge, with an internal stainless steel wafer-style check valve
- Stainless steel discharge head and motor bracket
- High flow hydraulic staging allows for maximum pump output, exceeds all energy efficiency standards, and provides increased product longevity
- Ceramic shaft sleeve and rubber discharge bearing eliminates sand wear
- Intermediate bearing for increased shaft stability when pump lengths dictate on high horse, high performance constructions
- Impeller eye and hub seals for improved performance and efficiency
- Stainless steel hex pump shaft, shell, and shaft coupling
- High capacity upthrust assembly for protection during start-up and operation
- Designed for optimal performance when powered by Franklin's corrosion-resistant 4" submersible motors

### MODEL NO. EXPLANATION

Example: 100FHIS4 - PEXBCV

- 100 = LPM
- FH = Franklin Electric Brand
- 1 = 1 hp
- S = Stainless
- 4 = 4" Submersible
- PEXB = Pump End
- CV = with internal check valve



CSA CERTIFIED  
PUMP END ONLY



NSF/ANSI 61  
Drinking Water



# SUBMERSIBLE PUMPS

## 4" TRI-SEAL HIGH CAPACITY PUMPS



### ORDER INFORMATION

100 - 270 LPM

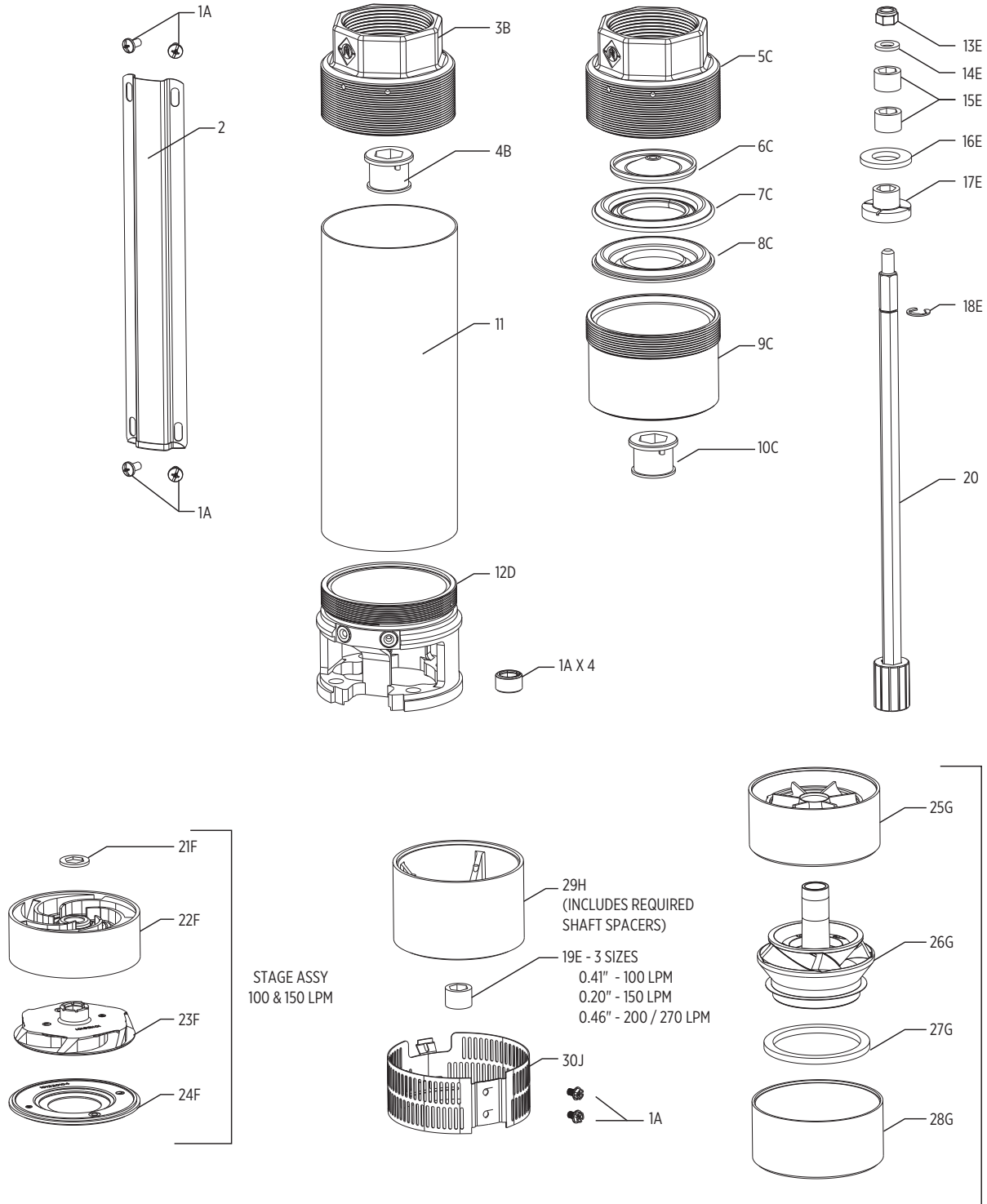
1 - 7.5 HP 4" High Capacity Pump Ends								
LPM	HP	KW	Stages	Model	Order No.	Check Valve	Dimensions (mm) Pump End Only	Wt. (Kg)
100	0.75	0.55	5	100FH07S4-PEXBCV	94543505	YES	358	4.1
	1	0.75	6	100FH1S4-PEXBCV	94543506		391	4.5
	1.5	1.1	9	100FH15S4-PEXBCV	94543509		488	5
	2	1.5	12	100FH2S4-PEXBCV	94543512		584	5.5
	3	2.2	20	100FH3S4-PEXBCV	94543520		902	7.7
	5	3.7	29	100FH5S4-PEXBCV	94543529		1194	10.9
	7.5	5.5	38	100FH7S4-PEXBCV	94543538		1542	13.6
150	1	0.75	5	150FH15S4-PEXBCV	94544505	YES	414	3.6
	1.5	1.1	7	150FH15S4-PEXBCV	94544507		503	4.5
	2	1.5	10	150FH2S4-PEXBCV	94544510		635	5
	3	2.2	16	150FH3S4-PEXBCV	94544516		950	6.8
	5	3.7	25	150FH5S4-PEXBCV	94544525		1366	9.8
	7.5	5.5	31	150FH7S4-PEXBCV	94544531		1664	13.2
200	2	1.5	10	200FH2S4-PEXBCV	94546010	YES	899	5.9
	3	2.2	16	200FH3S4-PEXBCV	94546016		1293	8.2
	5	3.7	23	200FH5S4-PEXBCV	94546023		1803	11.8
	7.5	5.5	30	200FH7S4-PEXBCV	94546030		2261	14.5
270	1.5	1.1	6	270FH15S4-PEXBCV	94549006	YES	650	5
	2	1.5	8	270FH2S4-PEXBCV	94549008		853	5.9
	3	2.2	13	270FH3S4-PEXBCV	94549013		1232	8.2
	5	3.7	21	270FH5S4-PEXBCV	94549021		1920	12.8
	7.5	5.5	25	270FH7S4-PEXBCV	94549025		2192	13.6

# SUBMERSIBLE PUMPS

## 4" TRI-SEAL HIGH CAPACITY PUMPS



### EXPLODED VIEW DRAWING



# SUBMERSIBLE PUMPS

## 4" TRI-SEAL HIGH CAPACITY PUMPS



### COMPONENT LIST

Fig. No.	Description	Component Construction Material	Kit Grouping Identifier	100/150 LPM Order No.	200/270 LPM Order No.
1	Fastener Kit	300 or 400 Series Stainless Steel	A	305711001	
2	Cable Guard*	300 Series Stainless Steel	-	-	
3	Discharge Head (No Check Valve)	300 Series Stainless Steel	B	305711008	305711009
4	Top Bearing	Rubber			
5	Discharge Head (Check Valve)	300 Series Stainless Steel	C	305711010	305980901
6	Check Valve Disk	300 Series Stainless Steel			
7	Check Valve Seal	Rubber			
8	Check Valve Retainer	300 Series Stainless Steel			
9	Bearing Support (Check Valve)	300 Series Stainless Steel			
10	Top Bearing	Rubber			
11	Pump Shell*	300 Series Stainless Steel	-	-	
12	Motor Bracket	300 Series Stainless Steel	D	305711011	305711003
13	Self-Locking Nut	nylon / 300 Series Stainless Steel	E	305711012	
14	Washer	300 Series Stainless Steel			
15	Hub Sleeve	Ceramic			
16	Thrust Washer**	Phenolic			
17	Thrust Journal**	300 Series Stainless Steel			
18	Retainer Ring Clip***	Stainless Steel			
19	Hex Spacer Sleeve (3 Sizes)	Thermoplastic			
20	Pump Shaft*	300 Series Stainless Steel	-	-	
21	100/150 LPM Thrust Washer (BlackSideDown)	Phenolic/Carbon	F	See P/N Below	
22	100 / 150 LPM Diffuser Assembly	Thermoplastic / 300 Series Stainless Steel			
23	100 / 150 LPM Impeller Assembly	Thermoplastic			
24	100 / 150 LPM Disk Assembly	Thermoplastic / 300 Series Stainless Steel			
Not Shown	Stage Assembly 35 GPM	Various			
Not Shown	Stage Assembly 45 GPM	Various			
25	200 / 270 LPM Diffuser Assembly	Thermoplastic	G		See P/N Below
26	200 / 270 LPM Impeller Assembly	Thermoplastic			
27	200 / 270 LPM Impeller Eye Seal	Urethane			
28	200 / 270 LPM Diffuser Cup	Thermoplastic			
Not Shown	Stage Assembly 200 LPM	Various			
Not Shown	Stage Assembly 270 LPM	Various			
29	Intermediate Bearing	Thermoplastic / Rubber / Ceramic	H	305711017	305711005
30	Intake Screen	300 Series Stainless Steel	J	305711004	

Items with like identifiers are sold/packaged together

\*Contact Customer Service for assistance

\*\*Not used on 100 or 150 LPM

\*\*\*Not used on 200 or 270 LPM

# SUBMERSIBLE PUMPS

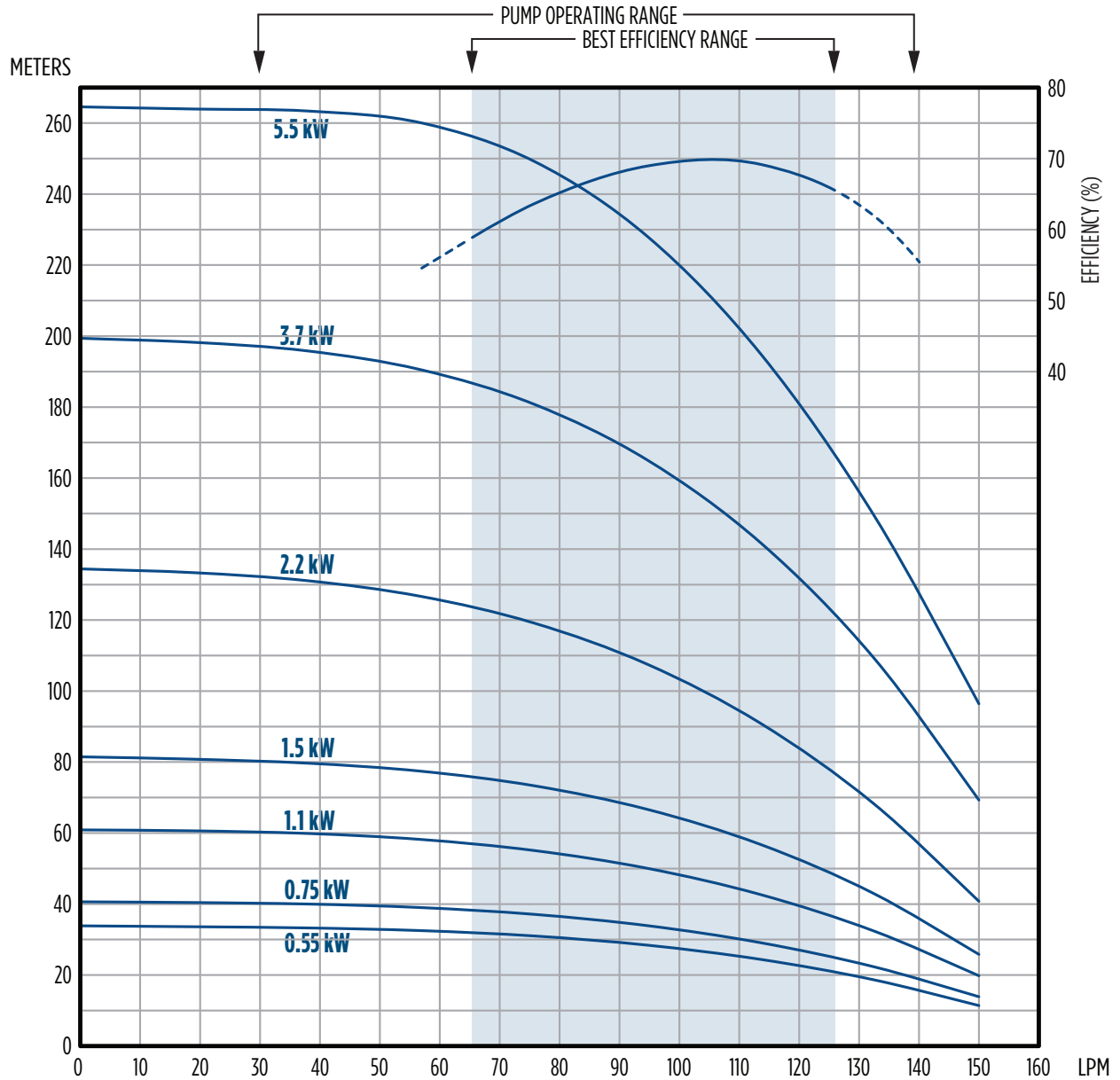
## 4" TRI-SEAL HIGH CAPACITY PUMPS



Basic Model	PEI <sub>CL</sub> Number
35S4	0.83

### PERFORMANCE

100LPM



PUMP MODEL	STAGES	MOTOR		DELIVERY							
		kW	HP	M <sup>3</sup> /hr	0	2.4	3.6	4.8	6.0	7.2	8.4
				LPM	0	40	60	80	100	120	140
100FH07S4 - PEXBCV	5	0.55	0.75	HEAD (m)	34	34	33	31	28	25	16
100FH1S4 - PEXBCV	6	0.75	1		41	40	39	37	33	28	19
100FH15S4 - PEXBCV	9	1.1	1.5		61	60	58	54	48	40	28
100FH2S4 - PEXBCV	12	1.5	2		82	80	77	73	64	53	36
100FH3S4 - PEXBCV	20	2.2	3.0		134	131	126	116	104	84	57
100FH5S4 - PEXBCV	29	3.7	5.0		199	196	189	178	160	132	93
100FH7S4 - PEXBCV	38	5.5	7.5		264	263	258	245	220	180	127

NOTE : Performance shown, according to ISO standard 9906:2012, grade 3B



# SUBMERSIBLE PUMPS

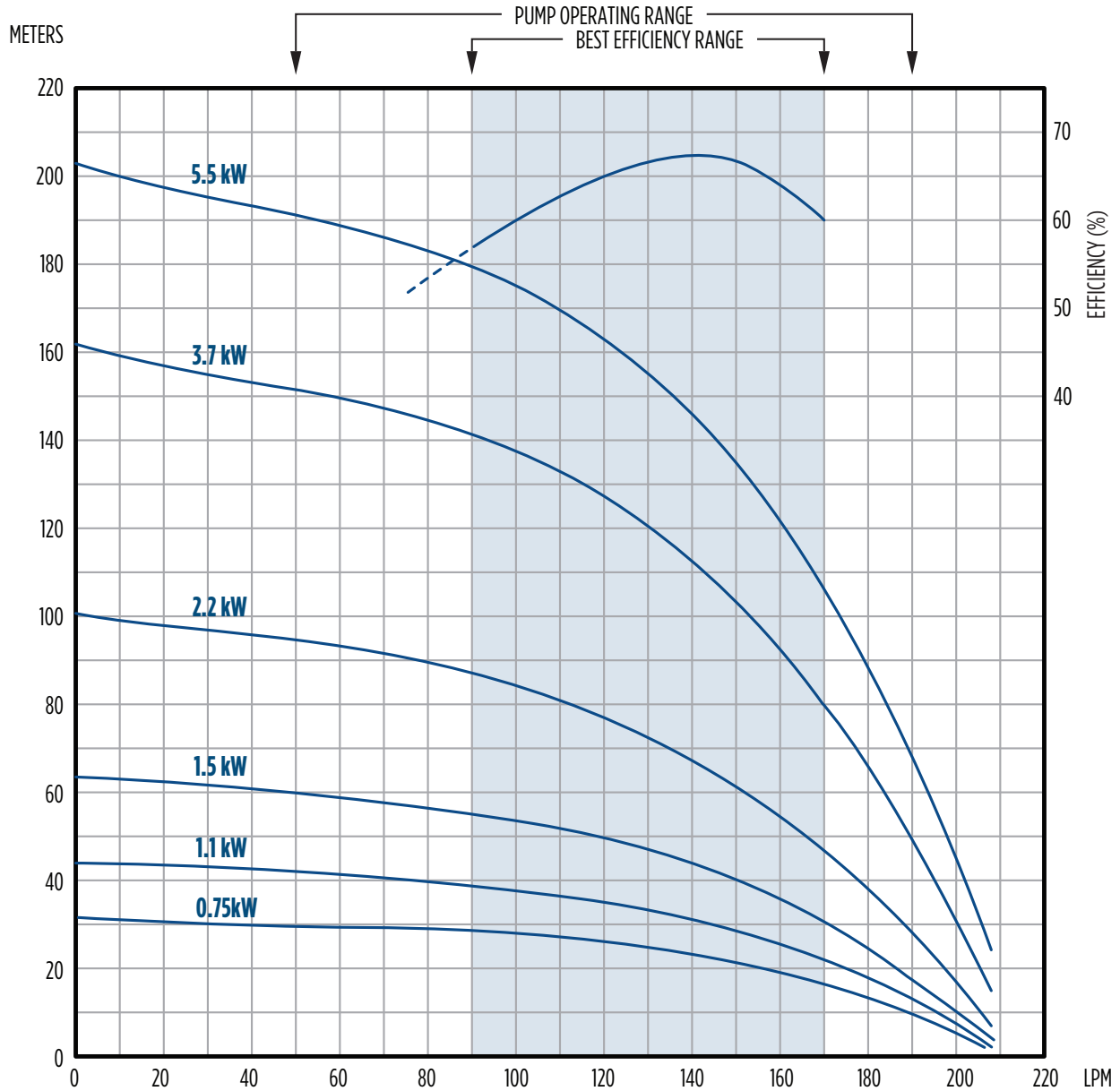
## 4" TRI-SEAL HIGH CAPACITY PUMPS



Basic Model	PEI <sub>CL</sub> Number
45S4	0.89

### PERFORMANCE

150LPM



PUMP MODEL	STAGES	MOTOR		DELIVERY								
		kW	HP	M <sup>3</sup> /hr	0	3.6	4.8	6.0	7.2	8.4	9.6	10.8
				LPM	0	60	80	100	120	140	160	180
150FHIS4 - PEXBCV	5	0.75	1	HEAD (m)	31	30	29	28	27	23	19	13
150FH15S4 - PEXBCV	7	1.1	1.5		44	41	40	38	35	31	26	18
150FH2S4 - PEXBCV	10	1.5	2		64	59	56	53	50	44	36	24
150FH3S4 - PEXBCV	16	2.2	3		101	93	90	84	77	68	54	38
150FH5S4 - PEXBCV	25	3.7	5		162	150	144	138	127	112	92	66
150FH7S4 - PEXBCV	31	5.5	7.5		202	189	183	175	162	146	121	88

NOTE : Performance shown, according to ISO standard 9906:2012, grade 3B

# SUBMERSIBLE PUMPS

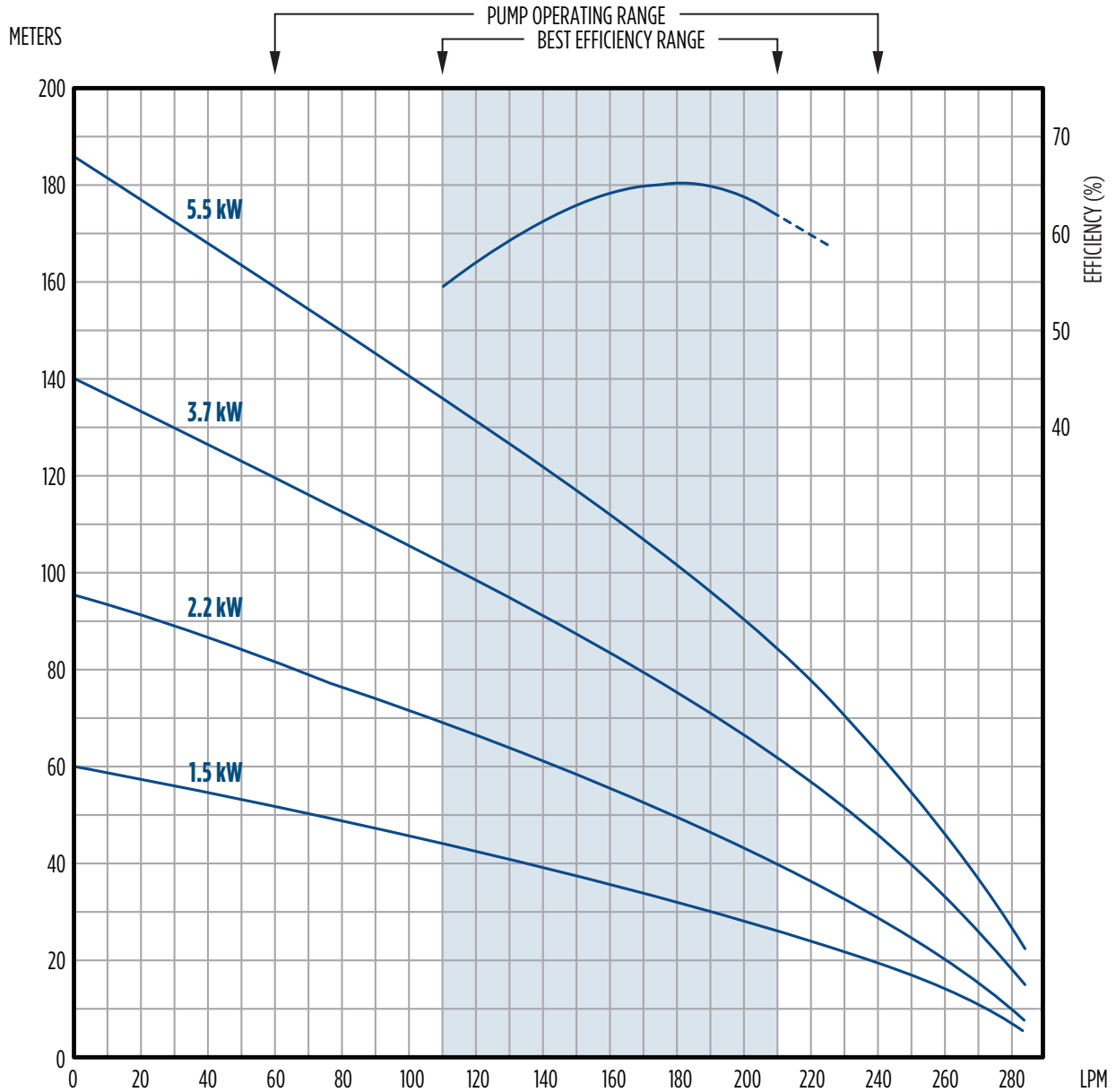
## 4" TRI-SEAL HIGH CAPACITY PUMPS



Basic Model	PEI <sub>CL</sub> Number
60S4	0.94

### PERFORMANCE

200LPM



PUMP MODEL	STAGES	MOTOR		DELIVERY									
		kW	HP	M <sup>3</sup> /hr	0	3.6	6.0	7.2	8.4	9.6	10.8	12.0	14.4
				LPM	0	60	100	120	140	160	180	200	240
200FH2S4 - PEXBCV	10	1.5	2	HEAD (m)	60	52	46	43	39	36	32	28	20
200FH3S4 - PEXBCV	16	2.2	3		95	82	72	67	61	56	49	44	59
200FH5S4 - PEXBCV	23	3.7	5		139	120	106	98	91	84	76	67	46
200FH7S4 - PEXBCV	30	5.5	7.5		185	159	141	132	122	112	102	91	62

NOTE : Performance shown, according to ISO standard 9906:2012, grade 3B

# SUBMERSIBLE PUMPS

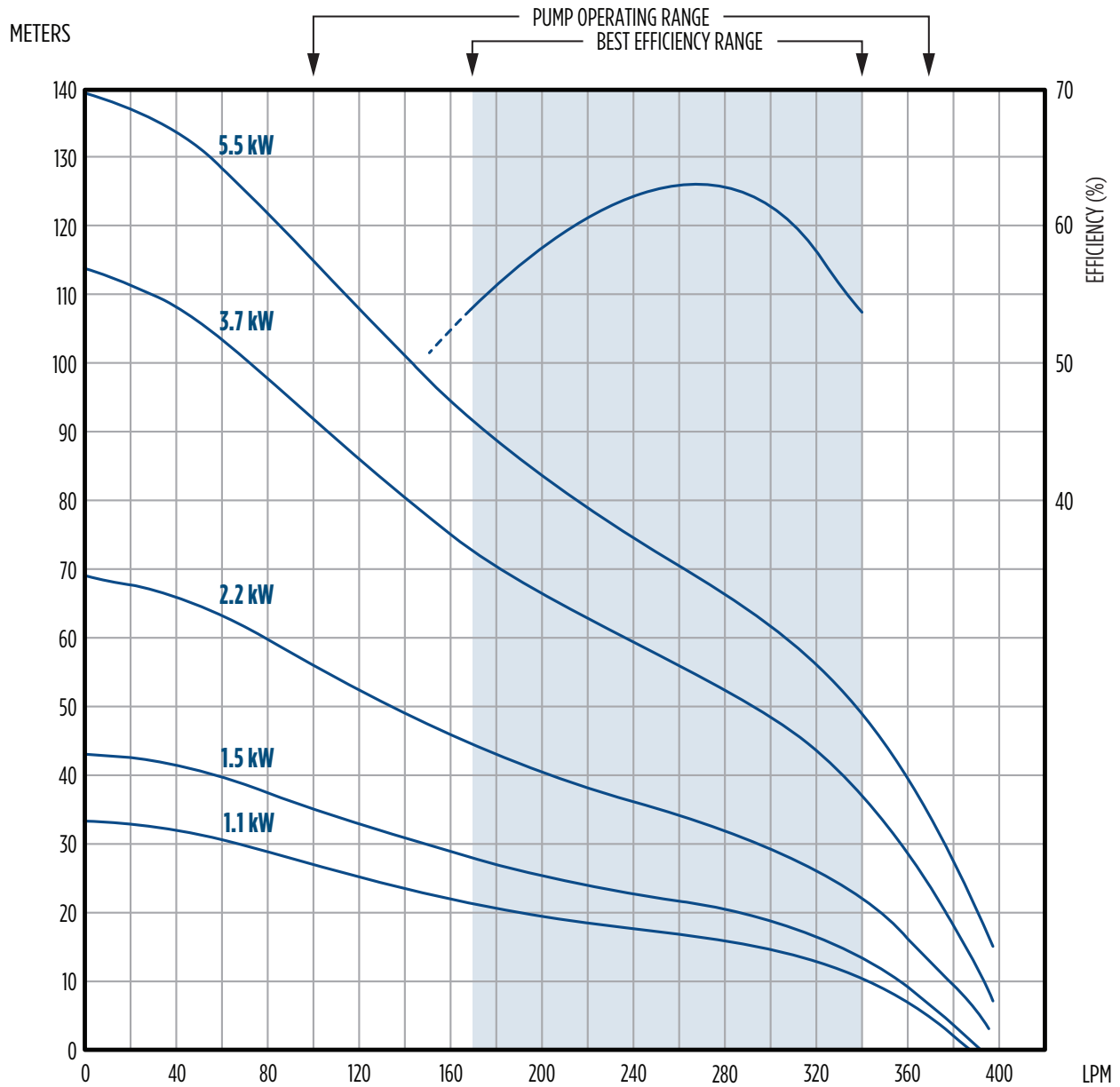
## 4" TRI-SEAL HIGH CAPACITY PUMPS



Basic Model	PEI <sub>CL</sub> Number
90S4	0.92

### PERFORMANCE

270LPM



PUMP MODEL	STAGES	MOTOR		DELIVERY								
		kW	HP	M <sup>3</sup> /hr	0	7.2	9.6	12.0	14.4	16.8	19.2	21.6
				LPM	0	120	160	200	240	280	320	360
270FH15S4 - PEXBCV	6	1.1	1.5	HEAD (m)	33	25	23	19	17	15	13	7
270FH2S4 - PEXBCV	8	1.5	2		43	33	29	26	23	21	17	9
270FH3S4 - PEXBCV	13	2.2	3		69	52	46	41	36	32	26	17
270FH5S4 - PEXBCV	21	3.7	5		114	86	75	66	59	53	44	29
270FH7S4 - PEXBCV	25	5.5	7.5		140	108	95	84	74	67	57	40

NOTE : Performance shown, according to ISO standard 9906:2012, grade 3B

**ASEAN, Pakistan, Bangladesh, Sri Lanka**

Franklin Electric (SEA) Pte. Ltd.  
17 Changi Business Park Central 1  
# 06-05, Honeywell Building  
Singapore 486 073

Phone: +65.6789.6865  
E-mail: fesea@fele.com

