



Franklin Electric

SR 6"- 8" SERIES 50 Hz

STAINLESS STEEL SUBMERSIBLE PUMPS
FOR 6" AND 8" DEEP WELLS OR LARGER



INDEX

SR 6" SERIES

Product Overview	4
Family curves	5
Pump identification code.....	5
Pumps and motors range	6
Materials/fluids compatibility	7
Hydraulic performance at 50 Hz.....	8
14 SR.....	8
19 SR.....	9
25* SR.....	10
30 SR.....	11
46 SR.....	12
65 SR.....	13
Technical data and performance curves at 50 Hz.....	14
14 SR.....	14
14 SR High Pressure	18
19 SR.....	20
19 SR High Pressure	24
25 SR*.....	26
30 SR.....	28
30 SR High Pressure	32
46 SR.....	34
46 SR High Pressure	36
65 SR.....	38
65 SR High Pressure	40
Spare Parts.....	42
14 SR - 19 SR - 25* SR	42
30 SR - 46 SR - 65 SR.....	43
Motor adapter and dimensions	44
14 SR - 19 SR - 25* SR	44
30 SR - 46 SR - 65 SR.....	45

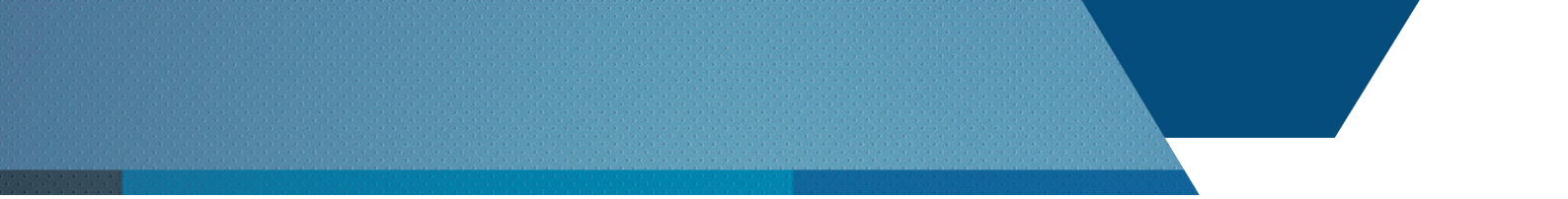
SR 8" SERIES

Product Overview	48
Family curves	49
Pump identification code.....	49
Pumps and motors range	49
Materials/fluids compatibility	50
Hydraulic performance at 50 Hz.....	51
78 SR.....	51
97 SR.....	51
Technical data and performance curves at 50 Hz.....	52
78 SR.....	52
97 SR.....	54
Spare Parts.....	56
78 SR - 97 SR	56
Motor adapter and dimensions	57
78 SR - 97 SR	57

* IMPORTANT: 25 SR models only for sales out of EU or as a component of fire-fighting units

Franklin Electric S.r.l. reserves the right to amend specification without prior notice.

For the most up-to-date product information, visit franklinwater.eu.



SR 6" Series

50 Hz

14 SR - 19 SR - 30 SR - 46 SR - 65 SR

PRODUCT OVERVIEW

APPLICATIONS

- Municipal water works
- Water Distribution and Pressure Boosting
- Irrigation, Sprinklers, Water treatment plants, Filtration and reverse osmosis
- Industrial cooling and processing
- Mining industry, Drainage and dewatering
- Fire-fighting equipment
- Fountains

FEATURES

- Fabricated stainless steel impellers and diffusers for corrosion resistance
- Heavy-duty stainless-steel structure for improved stiffness and ensuring the permanent alignment of all components and thus increased run time and trouble-free operation
- Floating Neck ring in PPS (14-19-25*) or in PTFE (30-46-65)
- Reinforced version with double welded rings for high pressure pumps
- Compact, reliable and suited to operate in horizontal position
- Built-in check valve to protect the pump against water hammer risk
- The hydraulic design is such to enhance the overall efficiency thus reducing energy consumption and making the pumping systems more cost effective

PUMP SPECIFICATION

- Flow: up to 80 m³/h at 50 Hz
- Head: up to 700 m (70 Bar) at 50 Hz
- Water temperature range:
 - Minimum: -5 °C
 - Maximum: +90 °C (+60 °C for NBR parts)
- Maximum allowable amount of sand 100 g/m³
- Rotation: counterclockwise when looking into the discharge
- Pump can work continuously in vertical or horizontal position

MOTOR SPECIFICATION

- Motor adapter in compliance with NEMA standard
- For more information consult the product catalog of Submersible motors

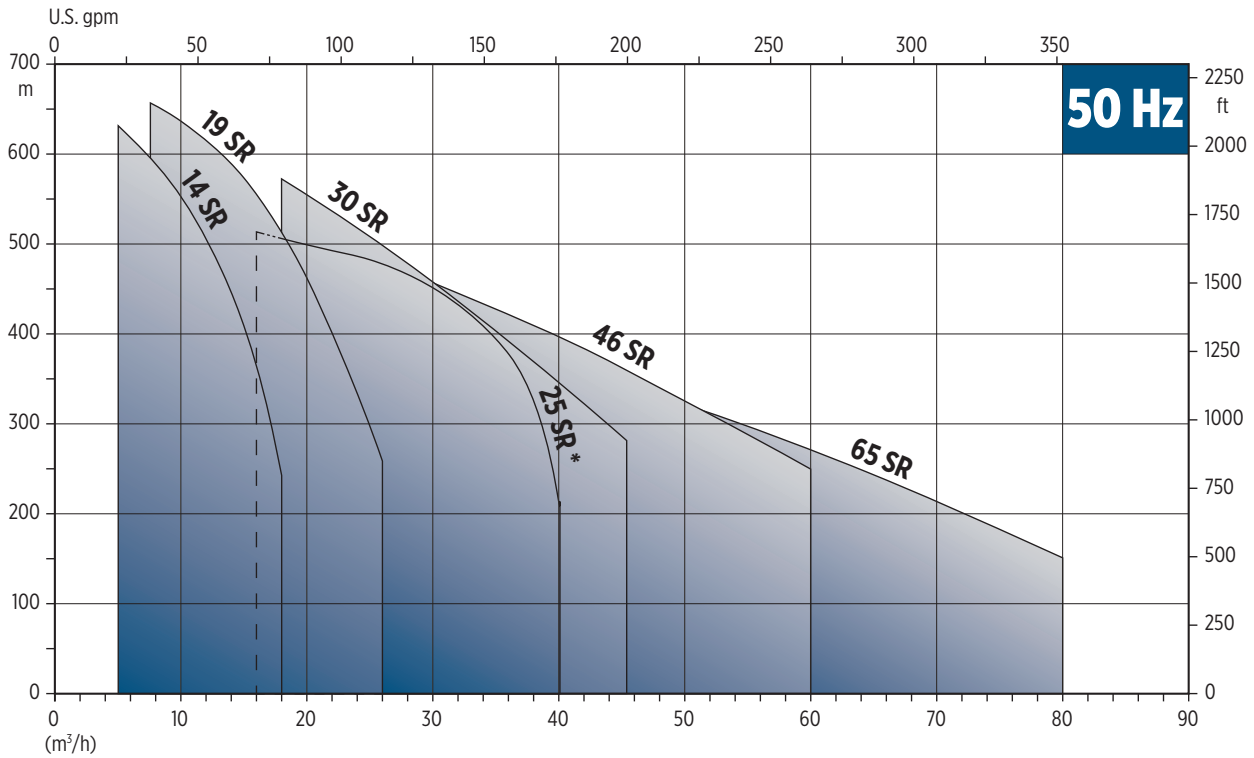
AVAILABLE ON REQUEST

- Pump material:
 - 316 Stainless steel (N) version (DIN/EN 1.4401)
 - 904L (R) version (DIN/EN 1.4539)
 - See specified material variant in “Materials/Fluids compatibility” table on page 7
- Double cable guard (SD version)
- Discharge heads:
 - Rp 2” (with kit adapter 2”1/2-2” PN 14251008) and Rp 3” for 14 and 19 F and S versions
 - Rp 4” for 25*-30-46-65 F and S versions
- Motor adapter:
 - 4” for F and S versions
 - 8” for F and S versions
- Pump with NBR rubber parts



PRODUCT OVERVIEW

FAMILY CURVES



00150026 06/2021

PUMP IDENTIFICATION CODE

30 SR 15 F 6 5 - 22 6 3 P HP SD

- Nominal flow in m³/h
- Pump model
- Pump power: kWx10
- Material: F (AISI 304); S (AISI 316); R (AISI 904L)
- Pump size: 6 (6")
- Frequency: 50 (50 Hz); 60 (60 Hz)
- Number of stages
- Motor coupling dimension: 6 (6"); 8 (8")
- Discharge head dimensions: 2 (2"½); 3 (3"); 4 (4"); 5 (5")
- Pump speciality: P (Passivated); HP (High pressure); SD (Double cable guard)

00150026 06/2021

* IMPORTANT: 25 SR models only for sales out of EU or as a component of fire-fighting units

PRODUCT OVERVIEW

PUMPS AND MOTORS RANGE

Type	Versions			Motor power range [kW]	
	F EN 1.4301	S EN 1.4401	R EN 1.4539	F / S	R
	14 SR	□	□	-	4 ÷ 30
19 SR	□	□	-	4 ÷ 37	-
25 SR *	□	□	-	4 ÷ 45	-
30 SR	□	□	□	3 ÷ 55	4 ÷ 37
46 SR	□	□	□	3.7 ÷ 55	4 ÷ 37
65 SR	□	□	□	3.7 ÷ 55	4 ÷ 37

□ = Version available ● = Version available only with 6" motor coupling

* IMPORTANT: 25 SR models only for sales out of EU or as a component of fire-fighting units



PRODUCT OVERVIEW

MATERIALS/FLUIDS COMPATIBILITY

Ref. No.	Parts description	Material	Standard					
			F Version		S Version		R Version	
			ASTM	DIN/EN	ASTM	DIN/EN	ASTM	DIN/EN
10.00	Discharge head	Stainless steel	CF8 (304)	1.4308	CF8M (316)	1.4408	CD4MCuN (904L)	1.4517
10.01 10.04 10.05	Valve	Stainless steel	316	1.4401	316	1.4401	2205 / 904L	1.4462 / 1.4460
10.02	Sealing O-ring		EPDM					
10.03	Outer case locking nuts	Stainless steel	316	1.4401	316	1.4401	2205	1.4462
20.00	Outer case	Stainless steel	304	1.4301	316	1.4401	2205	1.4462
20.01	Suction strainer	Stainless steel	316	1.4401	316	1.4401	904L	1.4539
20.02	Cable guard and screws	Stainless steel	316	1.4401	316	1.4401	904L	1.4539
20.03	Initial spacer	Stainless steel	304	1.4301	316	1.4401	904L	1.4539
20.04	Flange	Stainless steel	CF8 (304)	1.4308	CF8M (316)	1.4408	CD4MCuN (904L)	1.4517
	Screws		304	1.4301	316	1.4401	904L	1.4539
20.05	Motor adapter	Stainless steel	CF8 (304)	1.4308	CF8M (316)	1.4408	CD4MCuN (904L)	1.4517
20.06	4" motor flange	Stainless steel	CF8M (316)	1.4408	CF8M (316)	1.4408	-	-
	4" coupling adapter		316	1.4401	316	1.4401		
20.07	8" motor adapter (30/46/65)	Stainless steel	CF8M (316)	1.4408	CF8M (316)	1.4408	-	-
	Bolts and washers (30/46/65)		316	1.4401	316	1.4401		
30.00	Pump shaft	Stainless steel	431	1.4057	316 / 329	1.4401 / 1.4460	329	1.4460
30.01	Coupling	Stainless steel	431 / 329	1.4057 / 1.4460	316 / 329	1.4401 / 1.4460	904L / 329	1.4462 / 1.4539 / 1.4460
30.02	Upper up-thrust washer	Stainless steel	316	1.4401	316	1.4401	329	1.4460
30.03	Lower up-thrust washer	Stainless steel	316	1.4401	316	1.4401	329	1.4460
30.04	Upper journal sleeve	Alluminum Oxide	Al2 O3 (99,7%)					
30.05	Screw and washer	Stainless steel	316	1.4401	316	1.4401	904L / 329	1.4539 / 1.4460
30.06	Up-thrust ring		PTFE + Grafite					
30.07 30.08	Lower / Upper spacer	Stainless steel	316	1.4401	316	1.4401	-	-
40.00	Diffuser	Stainless steel	304	1.4301	316	1.4401	904L	1.4539
40.01	Secondary bearing bush		EPDM					
40.02	Floating neck ring		PPS (14/19/25)					
			PTFE (30/46/65)					
40.03	Flange clamping neck ring (30/46/65)	Stainless steel	304	1.4301	316	1.4401	904L	1.4539
40.04	Bearing bush		EPDM					
40.05	Upper bearing guide (14/19/25*)	Stainless steel	CF8M (316)	1.4408	CF8M (316)	1.4408	-	-
	Last - Intermediate diffuser (30/46/65)		316	1.4401	316	1.4401	904L	1.4539
40.06	First diffuser (14/19/25*)	Stainless steel	316	1.4401	316	1.4401	-	-
40.07	Diffuser with upper up-thrust washer (14/19/25*)	Stainless steel	316	1.4401	316	1.4401	-	-
40.08	Last diffuser (14/19/25*)	Stainless steel	316	1.4401	316	1.4401	-	-
50.00	Impeller	Stainless steel	304	1.4301	316	1.4401	904L	1.4539
50.05	Wear ring (30/46/65)	Stainless steel	304	1.4301	316	1.4401	904L	1.4539
50.01	Impeller spacer (14/19/25*)	Stainless steel	316	1.4401	316	1.4401	329	1.4460
51.01	Split cone (30/46/65)	Stainless steel	316	1.4401	316	1.4401	329	1.4460
51.02	Split cone nut (30/46/65)	Stainless steel	316	1.4401	316	1.4401	329	1.4460
51.03	Intermediate cone nut (30/46/65)	Stainless steel	316	1.4401	316	1.4401	329	1.4460
		Alluminum Oxide	Al2 O3 (99,7%)					
51.04	Up-thrust split cone nut (30/46/65)	Stainless steel	316	1.4401	316	1.4401	329	1.4460
51.06	Intermediate impeller with screw (30/46/65)	Stainless steel	304	1.4301	316	1.4401	904L	1.4539

* IMPORTANT: 25 SR models only for sales out of EU or as a component of fire-fighting units

HYDRAULIC PERFORMANCE AT 50 Hz

14 SR

Stages	RATED POWER		Q = DELIVERY						
			m ³ /h 0	6	8	10	12	15	18
	[kW]	[HP]	l/min 0	100	133	167	200	250	300
H = TOTAL METERS HEAD OF WATER COLUMN [m]									
5	4	5.5	56.1	50.7	48.4	45.4	41.4	31.3	18.6
6	4	5.5	67.3	60.8	58.1	54.5	49.7	37.5	22.3
7	4	5.5	78.5	71.0	67.8	63.6	58.0	43.8	26.0
8	4	5.5	89.7	81.1	77.5	72.7	66.3	50.0	29.7
9	5.5	7.5	100.9	91.2	87.2	81.8	74.6	56.3	33.4
10	5.5	7.5	112.1	101.4	96.9	90.9	82.9	62.5	37.1
11	5.5	7.5	123.3	111.5	106.6	100.0	91.2	68.8	40.8
12	5.5	7.5	134.6	121.7	116.3	109.1	99.5	75.0	44.6
13	5.5	7.5	145.8	131.8	125.9	118.1	107.7	81.3	48.3
14	7.5	10	157.0	141.9	135.6	127.2	116.0	87.5	52.0
15	7.5	10	168.2	152.1	145.3	136.3	124.3	93.8	55.7
16	7.5	10	179.4	162.2	155.0	145.4	132.6	100.0	59.4
17	7.5	10	190.6	172.3	164.7	154.5	140.9	106.3	63.1
18	9.3	12.5	201.8	182.5	174.4	163.6	149.2	112.5	66.8
19	9.3	12.5	213.0	192.6	184.1	172.7	157.5	118.8	70.5
20	9.3	12.5	224.3	202.8	193.8	181.8	165.8	125.0	74.3
21	9.3	12.5	235.5	212.9	203.4	190.8	174.0	131.3	78.0
22	9.3	12.5	246.7	223.0	213.1	199.9	182.3	137.5	81.7
23	11	15	257.9	233.2	222.8	209.0	190.6	143.8	85.4
24	11	15	269.1	243.3	232.5	218.1	198.9	150.0	89.1
25	11	15	280.3	253.4	242.2	227.2	207.2	156.3	92.8
26	11	15	291.5	263.6	251.9	236.3	215.5	162.5	96.5
27	15	20	302.7	273.7	261.6	245.4	223.8	168.8	100.2
28	15	20	314.0	283.9	271.3	254.5	232.1	175.0	104.0
29	15	20	325.2	294.0	280.9	263.5	240.3	181.3	107.7
30	15	20	336.4	304.1	290.6	272.6	248.6	187.5	111.4
31	15	20	347.6	314.3	300.3	281.7	256.9	193.8	115.1
32	15	20	358.8	324.4	310.0	290.8	265.2	200.0	118.8
33	15	20	370.0	334.5	319.7	299.9	273.5	206.3	122.5
34	15	20	381.2	344.7	329.4	309.0	281.8	212.5	126.2
35	15	20	392.4	354.8	339.1	318.1	290.1	218.8	129.9
36	15	20	403.7	365.0	348.8	327.2	298.4	225.0	133.7
37	18.5	25	414.9	375.1	358.4	336.2	306.6	231.3	137.4
38	18.5	25	426.1	385.2	368.1	345.3	314.9	237.5	141.1
39	18.5	25	437.3	395.4	377.8	354.4	323.2	243.8	144.8
40	18.5	25	448.5	405.5	387.5	363.5	331.5	250.0	148.5
41	18.5	25	459.7	415.6	397.2	372.6	339.8	256.3	152.2
42	18.5	25	470.9	425.8	406.9	381.7	348.1	262.5	155.9
43	18.5	25	482.1	435.9	416.6	390.8	356.4	268.8	159.6
44	18.5	25	493.4	446.1	426.3	399.9	364.7	275.0	163.4
45	22	30	504.6	456.2	435.9	408.9	372.9	281.3	167.1
46	22	30	515.8	466.3	445.6	418.0	381.2	287.5	170.8
47	22	30	527.0	476.5	455.3	427.1	389.5	293.8	174.5
48	22	30	538.2	486.6	465.0	436.2	397.8	300.0	178.2
49	22	30	549.4	496.7	474.7	445.3	406.1	306.3	181.9
50	22	30	560.6	506.9	484.4	454.4	414.4	312.5	185.6
51	22	30	571.8	517.0	494.1	463.5	422.7	318.8	189.3
52	22	30	583.1	527.2	503.8	472.6	431.0	325.0	193.1
53	30	40	594.3	537.3	513.4	481.6	439.2	331.3	196.8
54	30	40	605.5	547.4	523.1	490.7	447.5	337.5	200.5
55	30	40	616.7	557.6	532.8	499.8	455.8	343.8	204.2
56	30	40	627.9	567.7	542.5	508.9	464.1	350.0	207.9
57	30	40	639.1	577.8	552.2	518.0	472.4	356.3	211.6
58	30	40	650.3	588.0	561.9	527.1	480.7	362.5	215.3
59	30	40	661.5	598.1	571.6	536.2	489.0	368.8	219.0
60	30	40	672.8	608.3	581.3	545.3	497.3	375.0	222.8
61	30	40	684.0	618.4	590.9	554.3	505.5	381.3	226.5

HYDRAULIC PERFORMANCE AT 50 Hz

19 SR

Stages	RATED POWER		Q = DELIVERY								
			m ³ /h 0	8	10	12	15	18	21	24	27
	[kW]	[HP]	l/min 0	133	167	200	250	300	350	400	450
			H = TOTAL METERS HEAD OF WATER COLUMN [m]								
6	4	5.5	70.0	66.5	64.0	62.0	58.0	52.0	43.5	33.0	20.5
7	5.5	7.5	81.7	77.5	74.7	72.3	67.2	60.2	50.4	38.4	23.9
8	5.5	7.5	93.3	88.5	85.3	82.7	76.8	68.8	57.6	43.9	27.4
9	5.5	7.5	105.0	99.6	96.0	93.0	86.4	77.4	64.8	49.4	30.8
10	7.5	10	116.7	110.7	106.7	103.3	96.0	86.0	72.0	54.9	34.2
11	7.5	10	128.3	121.7	117.3	113.7	105.6	94.6	79.2	60.4	37.6
12	7.5	10	140.0	132.8	128.0	124.0	115.2	103.2	86.4	65.8	41.0
13	9.3	12.5	151.7	143.9	138.7	134.3	124.8	111.8	93.6	71.3	44.5
14	9.3	12.5	163.3	154.9	149.3	144.7	134.4	120.4	100.8	76.8	47.9
15	9.3	12.5	175	166	160	155	144	129	108	82.3	51.3
16	11	15	186.7	177.1	170.7	165.3	153.6	137.6	115.2	87.8	54.7
17	11	15	198.3	188.1	181.3	175.7	163.2	146.2	122.4	93.3	58.1
18	11	15	210.0	199.2	192.0	186.0	172.8	154.8	129.6	98.8	61.6
19	15	20	221.7	210.3	202.7	196.3	182.4	163.4	136.8	104.2	65.0
20	15	20	233.3	221.3	213.3	206.7	192.0	172.0	144.0	109.7	68.4
21	15	20	245.0	232.4	224.0	217.0	201.6	180.6	151.2	115.2	71.8
22	15	20	256.7	243.5	234.7	227.3	211.2	189.2	158.4	120.7	75.2
23	15	20	268.3	254.5	245.3	237.7	220.8	197.8	165.6	126.2	78.7
24	15	20	280.0	265.6	256.0	248.0	230.4	206.4	172.8	131.7	82.1
25	18.5	25	291.7	276.7	266.7	258.3	240.0	215.0	180.0	137.2	85.5
26	18.5	25	303.3	287.7	277.3	268.7	249.6	223.6	187.2	142.7	88.9
27	18.5	25	315.0	298.8	288.0	279.0	259.2	232.2	194.4	148.1	92.3
28	18.5	25	326.7	309.9	298.7	289.3	268.8	240.8	201.6	153.6	95.8
29	18.5	25	338.3	320.9	309.3	299.7	278.4	249.4	208.8	159.1	99.2
30	18.5	25	350.0	332.0	320.0	310.0	288.0	258.0	216.0	164.6	102.6
31	22	30	361.7	343.1	330.7	320.3	297.6	266.6	223.2	170.1	106.0
32	22	30	373.3	354.1	341.3	330.7	307.2	275.2	230.4	175.6	109.4
33	22	30	385.0	365.2	352.0	341.0	316.8	283.8	237.6	181.1	112.9
34	22	30	396.7	376.3	362.7	351.3	326.4	292.4	244.8	186.5	116.3
35	22	30	408.3	387.3	373.3	361.7	336.0	301.0	252.0	192.0	119.7
36	22	30	420.0	398.4	384.0	372.0	345.6	309.6	259.2	197.5	123.1
37	30	40	431.7	409.5	394.7	382.3	355.2	318.2	266.4	203.0	126.5
38	30	40	443.3	420.5	405.3	392.7	364.8	326.8	273.6	208.5	130.0
39	30	40	455.0	431.6	416.0	403.0	374.4	335.4	280.8	214.0	133.4
40	30	40	466.7	442.7	426.7	413.3	384.0	344.0	288.0	219.5	136.8
41	30	40	478.3	453.7	437.3	423.7	393.6	352.6	295.2	225.0	140.2
42	30	40	490.0	464.8	448.0	434.0	403.2	361.2	302.4	230.4	143.6
43	30	40	501.7	475.9	458.7	444.3	412.8	369.8	309.6	235.9	147.1
44	30	40	513.3	486.9	469.3	454.7	422.4	378.4	316.8	241.4	150.5
45	30	40	525.0	498.0	480.0	465.0	432.0	387.0	324.0	246.9	153.9
46	30	40	536.7	509.1	490.7	475.3	441.6	395.6	331.2	252.4	157.3
47	30	40	548.3	520.1	501.3	485.7	451.2	404.2	338.4	257.9	160.7
48	30	40	560.0	531.2	512.0	496.0	460.8	412.8	345.6	263.4	164.2
49	30	40	571.7	542.3	522.7	506.3	470.4	421.4	352.8	268.8	167.6
50	37	50	583.3	553.3	533.3	516.7	480.0	430.0	360.0	274.3	171.0
51	37	50	595.0	564.4	544.0	527.0	489.6	438.6	367.2	279.8	174.4
52	37	50	606.7	575.5	554.7	537.3	499.2	447.2	374.4	285.3	177.8
53	37	50	618.3	586.5	565.3	547.7	508.8	455.8	381.6	290.8	181.3
54	37	50	630.0	597.6	576.0	558.0	518.4	464.4	388.8	296.3	184.7
55	37	50	641.7	608.7	586.7	568.3	528.0	473.0	396.0	301.8	188.1
56	37	50	653.3	619.7	597.3	578.7	537.6	481.6	403.2	307.3	191.5
57	37	50	665.0	630.8	608.0	589.0	547.2	490.2	410.4	312.7	194.9
58	37	50	676.7	641.9	618.7	599.3	556.8	498.8	417.6	318.2	198.4
59	37	50	688.3	652.9	629.3	609.7	566.4	507.4	424.8	323.7	201.8
60	37	50	700.0	664.0	640.0	620.0	576.0	516.0	432.0	329.2	205.2

HYDRAULIC PERFORMANCE AT 50 Hz

25 SR*

* IMPORTANT: Models only for sales out of mode or as a component of fire-fighting units

Stages	RATED POWER		Q = DELIVERY							
			m ³ /h 0	16	20	24	28	32	36	40
	[kW]	[HP]	l/min 0	266	333	400	466	533	600	666
			H = TOTAL METERS HEAD OF WATER COLUMN [m]							
3	4	5.5	36.3	32.8	30.7	28.5	25.1	21.0	17.1	12.0
4	4	5.5	48.4	43.8	41.0	38.1	33.4	28.0	22.8	16.0
5	5.5	7.5	60.5	54.7	51.2	47.6	41.8	35.0	28.5	20.0
6	7.5	10	72.6	65.7	61.5	57.1	50.1	42.0	34.2	24.0
7	7.5	10	84.7	76.6	71.7	66.6	58.5	49.0	39.9	28.0
8	9.3	12.5	96.8	87.5	81.9	76.1	66.9	56.0	45.6	32.0
9	9.3	12.5	108.9	98.5	92.2	85.6	75.2	63.0	51.3	36.0
10	11	15	121.0	109.4	102.4	95.1	83.6	70.0	57.0	40.0
11	11	15	133.1	120.4	112.7	104.7	91.9	77.0	62.7	44.0
12	15	20	145.2	131.3	122.9	114.2	100.3	84.0	68.4	48.0
13	15	20	157.3	142.3	133.2	123.7	108.6	91.0	74.1	52.0
14	15	20	169.4	153.2	143.4	133.2	117.0	98.0	79.8	56.0
15	15	20	181.5	164.1	153.6	142.7	125.4	105.0	85.5	60.0
16	18.5	25	193.6	175.1	163.9	152.2	133.7	112.0	91.2	64.0
17	18.5	25	205.7	186.0	174.1	161.7	142.1	119.0	96.9	68.0
18	18.5	25	217.8	197.0	184.4	171.3	150.4	126.0	102.6	72.0
19	18.5	25	229.9	207.9	194.6	180.8	158.8	133.0	108.3	76.0
20	22	30	242.0	218.9	204.9	190.3	167.1	140.0	114.0	80.0
21	22	30	254.1	229.8	215.1	199.8	175.5	147.0	119.7	84.0
22	22	30	266.2	240.7	225.3	209.3	183.9	154.0	125.4	88.0
23	22	30	278.3	251.7	235.6	218.8	192.2	161.0	131.1	92.0
24	30	40	290.4	262.6	245.8	228.3	200.6	168.0	136.8	96.0
25	30	40	302.5	273.6	256.1	237.9	208.9	175.0	142.5	100.0
26	30	40	314.6	284.5	266.3	247.4	217.3	182.0	148.2	104.0
27	30	40	326.7	295.5	276.6	256.9	225.6	189.0	153.9	108.0
28	30	40	338.8	306.4	286.8	266.4	234.0	196.0	159.6	112.0
29	30	40	350.9	317.3	297.0	275.9	242.4	203.0	165.3	116.0
30	30	40	363.0	328.3	307.3	285.4	250.7	210.0	171.0	120.0
31	30	40	375.1	339.2	317.5	294.9	259.1	217.0	176.7	124.0
32	37	50	387.2	350.2	327.8	304.5	267.4	224.0	182.4	128.0
33	37	50	399.3	361.1	338.0	314.0	275.8	231.0	188.1	132.0
34	37	50	411.4	372.1	348.3	323.5	284.1	238.0	193.8	136.0
35	37	50	423.5	383.0	358.5	333.0	292.5	245.0	199.5	140.0
36	37	50	435.6	393.9	368.7	342.5	300.9	252.0	205.2	144.0
37	37	50	447.7	404.9	379.0	352.0	309.2	259.0	210.9	148.0
38	37	50	459.8	415.8	389.2	361.5	317.6	266.0	216.6	152.0
39	45	60	471.9	426.8	399.5	371.1	325.9	273.0	222.3	156.0
40	45	60	484.0	437.7	409.7	380.6	334.3	280.0	228.0	160.0
41	45	60	496.1	448.7	420.0	390.1	342.6	287.0	233.7	164.0
42	45	60	508.2	459.6	430.2	399.6	351.0	294.0	239.4	168.0
43	45	60	520.3	470.5	440.4	409.1	359.4	301.0	245.1	172.0
44	45	60	532.4	481.5	450.7	418.6	367.7	308.0	250.8	176.0
45	45	60	544.5	492.4	460.9	428.1	376.1	315.0	256.5	180.0
46	45	60	556.6	503.4	471.2	437.7	384.4	322.0	262.2	184.0

HYDRAULIC PERFORMANCE AT 50 Hz

30 SR

Stages	Vers. R	RATED POWER		Q = DELIVERY						
				m ³ /h 0	15	20	25	30	35	40
		[kW]	[HP]	l/min 0	250	333.5	416.5	500	583.5	666.5
H = TOTAL METERS HEAD OF WATER COLUMN [m]										
3	•	3.7	5	46.3	38.9	36	33.3	30.2	26.7	21.7
4	•	5.5	7.5	62.5	52.6	48.8	45.2	41.1	36.5	30
5	•	7.5	10	78.6	66.2	61.5	56.9	51.8	46.1	38
6	•	7.5	10	93.1	78.4	72.6	67.1	61	54	44.1
7	•	9.3	12.5	110	92.6	86	79.7	72.6	64.6	53.3
8	•	11	15	125.5	105.7	98.1	90.9	82.7	73.6	60.5
9	•	11	15	140.1	117.9	109.3	101.1	91.8	81.4	66.6
10	•	15	20	158.2	133.3	123.8	114.9	104.7	93.5	77.3
11	•	15	20	173	145.7	135.3	125.4	114.1	101.7	83.8
12	•	15	20	187.7	158	146.6	135.7	123.4	109.6	90
13	•	18.5	25	205.2	172.9	160.6	148.9	135.7	121.1	100
14	•	18.5	25	220	185.3	172.1	159.4	145.1	129.2	106.5
15	•	22	30	237	199.7	185.5	172.1	156.8	140	115.7
16	•	22	30	251.9	212.2	197.1	182.6	166.3	148.3	122.3
17	•	22	30	266.7	224.5	208.4	193	175.7	156.4	128.7
18	•	22	30	281.3	236.8	219.7	203.3	185	164.3	134.9
19	•	30	40	302.1	254.7	236.8	219.9	200.7	179.7	149.2
20	•	30	40	317.3	267.4	248.6	230.7	210.5	188.2	156
21	•	30	40	332.3	280	260.2	241.5	220.1	196.7	162.8
22	•	30	40	347.3	292.6	271.8	252.1	229.7	205	169.4
23	•	30	40	362.2	305.1	283.4	262.6	239.2	213.2	175.9
24	•	30	40	377	317.5	294.8	273.1	248.6	221.4	182.2
25	•	37	50	395.2	333	309.4	287	261.5	233.5	193.1
26	•	37	50	410.1	345.5	320.9	297.5	271.1	241.8	199.7
27	•	37	50	425	357.9	332.4	308.1	280.5	250	206.1
28	•	37	50	439.8	370.3	343.8	318.5	289.9	258.1	212.5
29	•	37	50	454.5	382.6	355.2	328.9	299.2	266.2	218.8
30	•	37	50	469.1	394.9	366.4	339.1	308.5	274.1	224.9
31		45	60	490	412.9	383.6	355.8	324.2	289.4	239.3
32		45	60	505	425.4	395.2	366.4	333.7	297.7	245.8
33		45	60	519.8	437.9	406.7	376.9	343.2	305.9	252.2
34		45	60	534.6	450.3	418.1	387.3	352.6	314	258.6
35		45	60	549.4	462.6	429.5	397.7	361.9	322	264.8
36		45	60	564.1	474.9	440.8	408	371.1	329.9	270.9
37		45	60	578.7	487.1	452	418.2	380.3	337.7	277
38		55	75	612.9	517.4	481.6	448.2	409.8	368.6	308.6
39		55	75	628.4	530.5	493.7	459.4	420	377.6	315.9
40		55	75	644	543.5	505.8	470.6	430.1	386.6	323.2
41		55	75	659.4	556.6	517.9	481.7	440.2	395.6	330.5
42		55	75	674.9	569.5	529.9	492.8	450.3	404.5	337.7
43		55	75	690.3	582.5	542	503.9	460.3	413.3	344.9

• = Pump available in R version (AISI 904L)

HYDRAULIC PERFORMANCE AT 50 Hz

46 SR

Stages	Vers. R	RATED POWER		Q = DELIVERY							
				m ³ /h 0	25	30	35	40	45	50	55
		[kW]	[HP]	l/min 0	416.5	500	583.5	666.5	750	833.5	916.5
H = TOTAL METERS HEAD OF WATER COLUMN [m]											
2	•	3	4	26.4	22.6	20.9	19.3	17.8	16.6	15.1	13.4
3	•	4	5.5	39.4	33.8	31.2	28.8	26.6	24.7	22.5	19.9
4	•	5.5	7.5	52.5	45	41.5	38.3	35.5	32.9	29.9	26.5
5	•	7.5	10	66.1	56.8	52.3	48.3	44.7	41.5	37.8	33.6
6	•	9.3	12.5	80.7	70	65.2	60.4	55.5	50.3	46	41.6
7	•	9.3	12.5	93.1	80.4	74.8	69.3	63.5	57.6	52.7	47.5
8	•	11	15	106.1	91.6	85.1	78.9	72.2	65.5	59.9	54
9	•	15	20	121.5	105.5	98.2	91	83.7	75.9	69.5	62.9
10	•	15	20	134	116.1	108	100.1	91.9	83.3	76.2	68.9
11	•	15	20	146.3	126.5	117.6	109	99.9	90.5	82.8	74.7
12	•	18.5	25	161.3	140	130.3	120.8	110.9	100.6	92	83.3
13	•	18.5	25	173.8	150.5	140	129.8	119	107.9	98.7	89.2
14	•	18.5	25	186.1	160.9	149.5	138.7	127	115.1	105.3	95
15	•	22	30	200.8	174.1	161.9	150.1	137.7	124.9	114.3	103.3
16	•	22	30	213.2	184.5	171.5	159.1	145.8	132.2	120.9	109.1
17	•	22	30	225.4	194.7	181	167.8	153.6	139.3	127.3	114.8
18	•	30	40	243.8	212.3	197.6	183.1	168.6	152.9	139.9	126.8
19	•	30	40	256.6	223.1	207.7	192.5	177	160.5	146.9	133
20	•	30	40	269.2	233.8	217.6	201.7	185.3	168.1	153.7	139.1
21	•	30	40	281.8	244.4	227.4	210.8	193.5	175.5	160.5	145.2
22	•	30	40	294.2	254.9	237	219.8	201.6	182.8	167.2	151.1
23	•	30	40	306.6	265.2	246.6	228.6	209.5	190	173.8	156.9
24	•	37	50	322.4	279.8	260.3	241.3	221.6	200.9	183.8	166.3
25	•	37	50	334.9	290.3	270	250.3	229.7	208.3	190.6	172.2
26		37	50	347.3	300.7	279.6	259.3	237.8	215.6	197.2	178.1
27		37	50	359.6	311.1	289.2	268.2	245.7	222.8	203.7	183.9
28		37	50	371.8	321.3	298.6	276.9	253.6	229.9	210.2	189.6
29		45	60	390.1	338.7	315.1	292.1	268.3	243.3	222.6	201.4
30		45	60	402.7	349.2	324.9	301.1	276.5	250.7	229.4	207.4
31		45	60	415.1	359.6	334.5	310.1	284.5	258	236	213.3
32		45	60	427.5	370	344.1	319	292.5	265.2	242.6	219.1
33		45	60	439.8	380.3	353.5	327.8	300.4	272.3	249.1	224.8
34		55	75	469.3	410.9	383.1	354.8	328	297.6	271.9	248.1
35		55	75	482.5	422.3	393.7	364.6	337	305.8	279.4	254.8
36		55	75	495.7	433.7	404.3	374.4	345.9	313.9	286.8	261.4
37		55	75	508.9	445	414.8	384.1	354.8	321.9	294.2	268.1
38		55	75	522	456.3	425.3	393.8	363.7	330	301.6	274.7
39		55	75	535.1	467.5	435.7	403.5	372.5	337.9	308.9	281.2
40		55	75	548.1	478.7	446.1	413.1	381.3	345.9	316.2	287.8

• = Pump available in R version (AISI 904L)

HYDRAULIC PERFORMANCE AT 50 Hz

65 SR

Stages	Vers. R	RATED POWER		Q = DELIVERY								
				m ³ /h 0	40	45	50	55	60	65	70	75
		[kW]	[HP]	l/min 0	666.5	750	833.3	916.5	1000	1083.5	1166.5	1250
H = TOTAL METERS HEAD OF WATER COLUMN [m]												
2	●	3.7	5	26.8	19	17.3	16.5	15.7	14.9	13.9	12.4	10.5
3	●	5.5	7.5	40.4	28.8	26.2	24.9	23.7	22.5	21	18.9	16
4	●	7.5	10	54	38.4	35	33.2	31.6	30.1	28	25.2	21.4
5	●	9.3	12.5	68	48.7	44.3	41.9	40.1	38.2	35.6	32.2	27.5
6	●	11	15	81.2	57.9	52.7	50	47.7	45.3	42.3	38.1	32.3
7	●	15	20	94.9	70.1	65.2	61.7	58.6	55.7	52.1	46.1	39.7
8	●	15	20	107.6	79.1	73.5	69.7	66.1	62.8	58.5	51.6	44.3
9	●	15	20	120.1	87.8	81.5	77.4	73.4	69.6	64.6	56.8	48.6
10	●	18.5	25	134.5	99	91.9	87.2	82.7	78.5	73.2	64.6	55.5
11	●	18.5	25	147	107.8	100.1	95	90	85.4	79.4	69.8	59.9
12	●	22	30	161.2	118.5	110.1	104.4	99.1	94.1	87.6	77.3	66.3
13	●	22	30	173.7	127.3	118.2	112.2	106.4	101	93.8	82.5	70.8
14	●	30	40	190.3	141	131.1	124	118	112	104.9	93	80.2
15	●	30	40	203.2	150.2	139.6	132.2	125.7	119.3	111.5	98.7	85
16	●	30	40	216	159.3	148	140.3	133.2	126.5	118.1	104.3	89.7
17	●	30	40	228.6	168.3	156.3	148.2	140.7	133.5	124.4	109.8	94.3
18	●	37	50	243.4	179.8	167	158.2	150.3	142.7	133.3	117.9	101.5
19	●	37	50	256.1	188.8	175.4	166.2	157.9	149.9	139.8	123.5	106.1
20	●	37	50	268.8	197.7	183.7	174.1	165.3	156.9	146.2	128.9	110.7
21	●	37	50	281.4	206.5	191.8	182	172.6	163.8	152.4	134.2	115.1
22		45	60	297.7	219.9	204.4	193.6	183.9	174.6	163.2	144.3	124.2
23		45	60	310.5	229	212.7	201.6	191.4	181.7	169.6	149.8	128.9
24		45	60	323.2	237.9	221	209.5	198.9	188.8	176	155.3	133.4
25		45	60	335.8	246.7	229.2	217.3	206.2	195.7	182.2	160.6	137.9
26		45	60	348.4	255.5	237.3	225.1	213.5	202.5	188.3	165.8	142.2
27		55	75	372.8	278.8	259.3	244.7	233.4	221.6	208.5	186.4	161.6
28		55	75	386.1	288.5	268.3	253.3	241.5	229.3	215.7	192.6	166.9
29		55	75	399.4	298.1	277.2	261.8	249.5	237	222.8	198.8	172.2
30		55	75	412.6	307.7	286.1	270.3	257.6	244.6	229.8	204.9	177.4
31		55	75	425.8	317.3	295	278.7	265.5	252.2	236.8	211	182.6

● = Pump available in R version (AISI 904L)

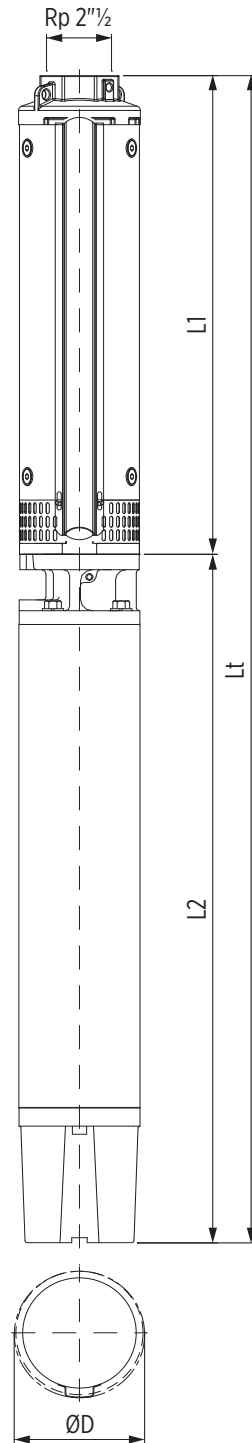
14 SR - TECHNICAL DATA AT 50 Hz

PUMPS WITH ENCAPSULATED MOTOR

Stages	Motor			Dimensions [mm]					Pump weight [Kg]
	Type	[kW]	[HP]	L1	L2	Lt	D		
							1 cable	2 cables	
5	E4	2.2	3	413.5	422	835.5	142.5	-	26.5
6		3.7	5	443.5	520	963.5	142.5	-	32
7		3.7	5	473.5	520	993.5	142.5	-	32
8		3.7	5	503.5	520	1023.5	142.5	-	33
9		5.5	7.5	533.5	652.5	1186	142.5	-	41
10		5.5	7.5	563.5	652.5	1216	142.5	-	41.5
11		5.5	7.5	593.5	652.5	1246	142.5	-	42.5
12		5.5	7.5	623.5	652.5	1276	142.5	-	43.5
13		5.5	7.5	653.5	652.5	1306	142.5	-	44
14		7.5	10	683.5	730.5	1414	142.5	-	49
15		7.5	10	713.5	730.5	1444	142.5	-	49.5
16		7.5	10	743.5	730.5	1474	142.5	-	50.5
17		7.5	10	773.5	730.5	1504	142.5	-	51

* Kit 14251005 necessary for 4" motors

5	E6	4	5.5	411	581	992	143	144.5	49
6		4	5.5	441	581	1022	143	144.5	50
7		4	5.5	471	581	1052	143	144.5	50.5
8		4	5.5	501	581	1082	143	144.5	51.5
9		5.5	7.5	531	614.5	1145.5	143	144.5	55.5
10		5.5	7.5	561	614.5	1175.5	143	144.5	56
11		5.5	7.5	591	614.5	1205.5	143	144.5	57
12		5.5	7.5	621	614.5	1235.5	143	144.5	58
13		5.5	7.5	651	614.5	1265.5	143	144.5	58.5
14		7.5	10	681	646	1327	143	144.5	63.5
15		7.5	10	711	646	1357	143	144.5	64
16		7.5	10	741	646	1387	143	144.5	65
17		7.5	10	771	646	1417	143	144.5	65.5
18		9.3	12.5	801	678.5	1479.5	143	144.5	69
19		9.3	12.5	831	678.5	1509.5	143	144.5	69.5
20		9.3	12.5	861	678.5	1539.5	143	144.5	70.5
21		9.3	12.5	891	678.5	1569.5	143	144.5	71
22		9.3	12.5	921	678.5	1599.5	143	144.5	71.5
23		11	15	951	711	1662	143	144.5	76
24		11	15	981	711	1692	143	144.5	76.5
25		11	15	1011	711	1722	143	144.5	77.5
26		11	15	1041	711	1752	143	144.5	78



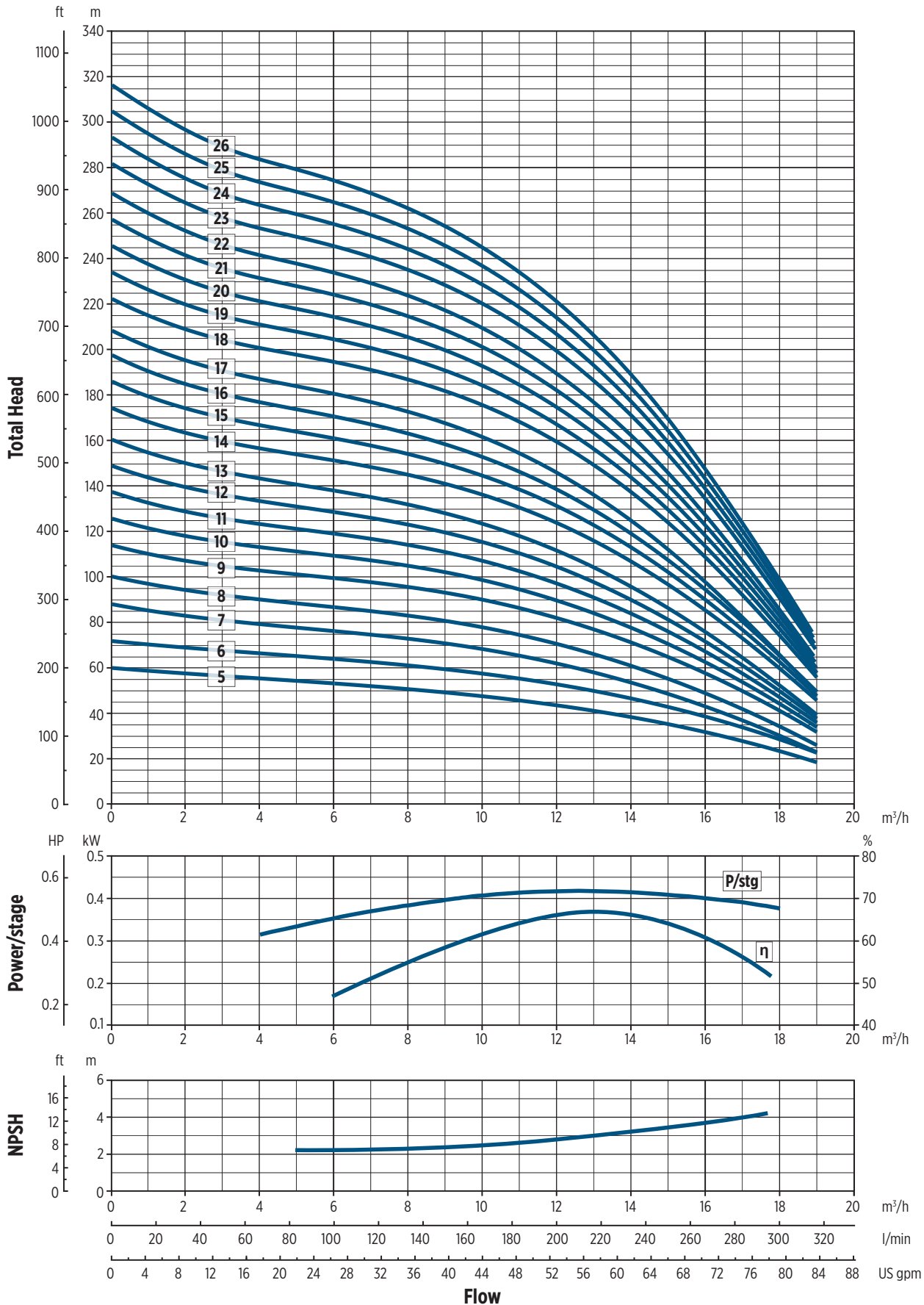
01/30/05 07/2017

PUMPS WITH REWINDABLE MOTOR

Stages	Motor			Dimensions [mm]					Pump weight [Kg]
	Type	[kW]	[HP]	L1	L2	Lt	D		
							1 cable	2 cables	
5	RW6	4	5.5	411	699	1110	147	147.5	59.5
6		4	5.5	441	699	1140	147	147.5	60.5
7		4	5.5	471	699	1170	147	147.5	61
8		4	5.5	501	699	1200	147	147.5	62
9		5.5	7.5	531	699	1230	147	147.5	62.5
10		5.5	7.5	561	699	1260	147	147.5	63
11		5.5	7.5	591	699	1290	147	147.5	64
12		5.5	7.5	621	699	1320	147	147.5	65
13		5.5	7.5	651	699	1350	147	147.5	65.5
14		7.5	10	681	719	1400	147	147.5	68.5
15		7.5	10	711	719	1430	147	147.5	69
16		7.5	10	741	719	1460	147	147.5	70
17		7.5	10	771	719	1490	147	147.5	70.5
18		9.3	12.5	801	749	1550	147	147.5	74.5
19		9.3	12.5	831	749	1580	147	147.5	75
20		9.3	12.5	861	749	1610	147	147.5	76
21		9.3	12.5	891	749	1640	147	147.5	76.5
22		9.3	12.5	921	749	1670	147	147.5	77
23		11	15	951	699	1650	147	147.5	81
24		11	15	981	719	1700	147	147.5	81.5
25		11	15	1011	749	1760	147	147.5	82.5
26		11	15	1041	779	1820	147	147.5	83

14 SR - PERFORMANCE CURVES AT 50 Hz

MEI ≥ 0,40



00120161EN/012017

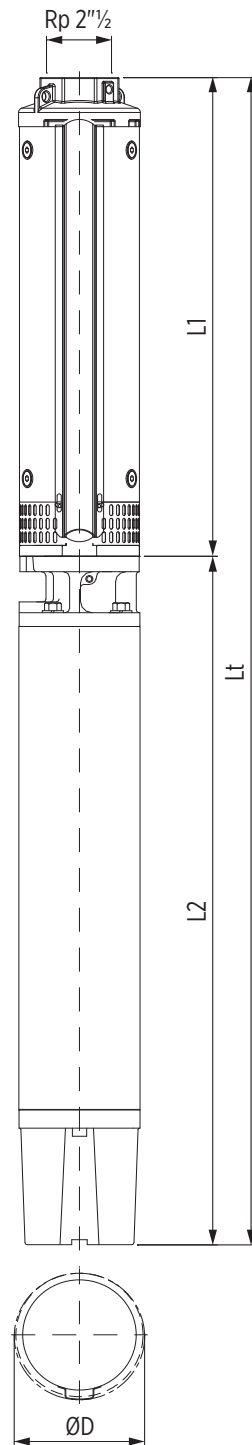
14 SR - TECHNICAL DATA AT 50 Hz

PUMPS WITH ENCAPSULATED MOTOR

Stages	Motor			Dimensions [mm]					Pump weight [Kg]
	Type	[kW]	[HP]	L1	L2	Lt	D		
							1 cable	2 cables	
27	E6	15	20	1071	776	1847	143	144.5	85.5
28		15	20	1101	776	1877	143	144.5	85.5
29		15	20	1131	776	1907	143	144.5	87
30		15	20	1161	776	1937	143	144.5	87.5
31		15	20	1191	776	1967	143	144.5	87.5
32		15	20	1220.5	776	1996.5	143	144.5	88
33		15	20	1250.5	776	2026.5	143	144.5	89
34		15	20	1280.5	776	2056.5	143	144.5	90
35		15	20	1310.5	776	2086.5	143	144.5	90.5
36		15	20	1340.5	776	2116.5	143	144.5	91
37		18.5	25	1370.5	841.5	2212	143	144.5	99
38		18.5	25	1400.5	841.5	2242	143	144.5	99.5
39		18.5	25	1430.5	841.5	2272	143	144.5	101
40		18.5	25	1460.5	841.5	2302	143	144.5	102
41		18.5	25	1490.5	841.5	2332	143	144.5	102.5
42		18.5	25	1520.5	841.5	2362	143	144.5	102.5
43		18.5	25	1550.5	841.5	2392	143	144.5	103.5
44		18.5	25	1580.5	841.5	2422	143	144.5	104
45		22	30	1610.5	906.5	2517	143	144.5	111
46		22	30	1640.5	906.5	2547	143	144.5	111.5
47		22	30	1670.5	906.5	2577	143	144.5	112.5
48		22	30	1700	906.5	2606.5	143	144.5	113.5
49		22	30	1730.5	906.5	2637	143	144.5	114.5

PUMPS WITH REWINDABLE MOTOR

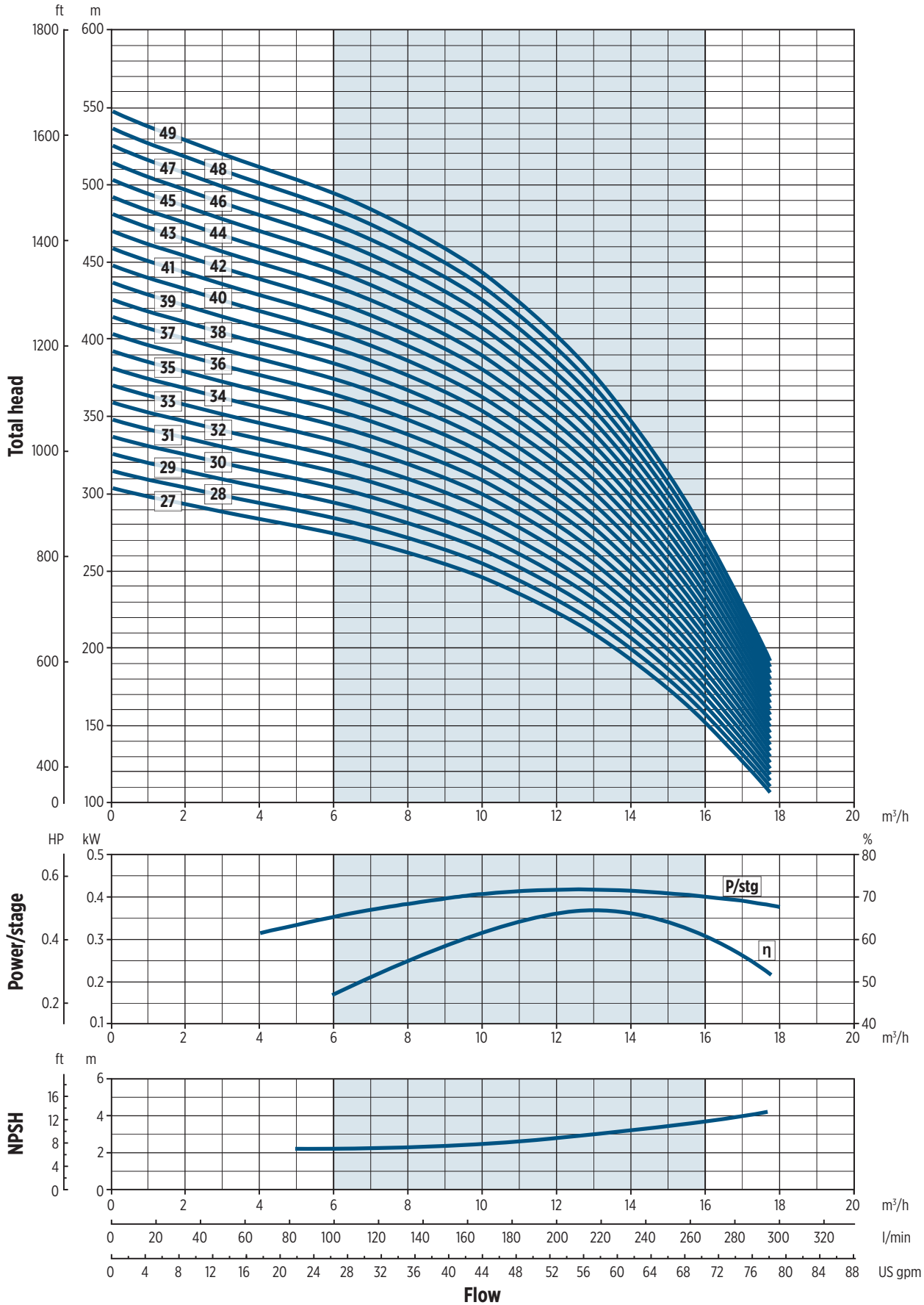
Stages	Motor			Dimensions [mm]					Pump weight [Kg]
	Type	[kW]	[HP]	L1	L2	Lt	D		
							1 cable	2 cables	
27	RW6	13	17.5	1071	829	1900	147	147.5	90
28		13	17.5	1101	829	1930	147	147.5	90
29		13	17.5	1131	829	1960	147	147.5	91.5
30		13	17.5	1161	829	1990	147	147.5	92
31		13	17.5	1191	829	2020	147	147.5	92
32		15	20	1220.5	874	2094.5	147	147.5	97.5
33		15	20	1250.5	874	2124.5	147	147.5	98.5
34		15	20	1280.5	874	2154.5	147	147.5	99.5
35		15	20	1310.5	874	2184.5	147	147.5	100
36		15	20	1340.5	874	2214.5	147	147.5	100.5
37		18.5	25	1370.5	919	2289.5	147	147.5	105.5
38		18.5	25	1400.5	919	2319.5	147	147.5	106
39		18.5	25	1430.5	919	2349.5	147	147.5	107.5
40		18.5	25	1460.5	919	2379.5	147	147.5	108.5
41		18.5	25	1490.5	919	2409.5	147	147.5	109
42		18.5	25	1520.5	919	2439.5	147	147.5	109
43		18.5	25	1550.5	919	2469.5	147	147.5	110
44		18.5	25	1580.5	919	2499.5	147	147.5	110.5
45		22	30	1610.5	1009	2619.5	147	147.5	120.5
46		22	30	1640.5	1009	2649.5	147	147.5	121
47		22	30	1670.5	1009	2679.5	147	147.5	122
48		22	30	1700	1009	2709	147	147.5	123
49		22	30	1730.5	1009	2739.5	147	147.5	124



01/30/036 07/2017

14 SR - PERFORMANCE CURVES AT 50 Hz

MEI ≥ 0,40



0012016ZEN/08/2017

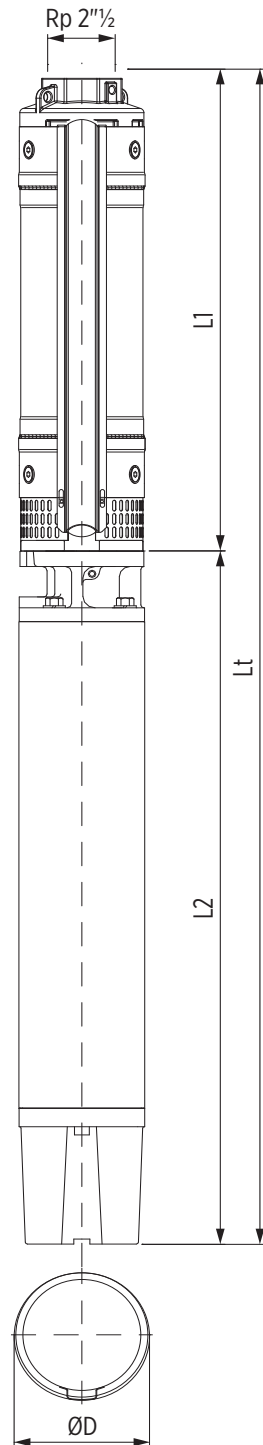
14 SR HIGH PRESSURE - TECHNICAL DATA AT 50 Hz

PUMPS WITH ENCAPSULATED MOTOR

Stages	Motor			Dimensions [mm]					Pump weight [Kg]
	Type	[kW]	[HP]	L1	L2	Lt	D		
							1 cable	2 cables	
50	E6	22	30	1760.5	906.5	2667	145	146.5	115.5
51		22	30	1790.5	906.5	2697	145	146.5	116.5
52		22	30	1820.5	906.5	2727	145	146.5	117.5
53		30	40	1850.5	1036.5	2887	145	146.5	133
54		30	40	1880.5	1036.5	2917	145	146.5	133.5
55		30	40	1910.5	1036.5	2947	145	146.5	134.5
56		30	40	1940.5	1036.5	2977	145	146.5	135.5
57		30	40	1970.5	1036.5	3007	145	146.5	136
58		30	40	2000	1036.5	3036.5	145	146.5	137
59		30	40	2030	1036.5	3066.5	145	146.5	138
60		30	40	2060	1036.5	3096.5	145	146.5	139
61		30	40	2090	1036.5	3126.5	145	146.5	140

PUMPS WITH REWINDABLE MOTOR

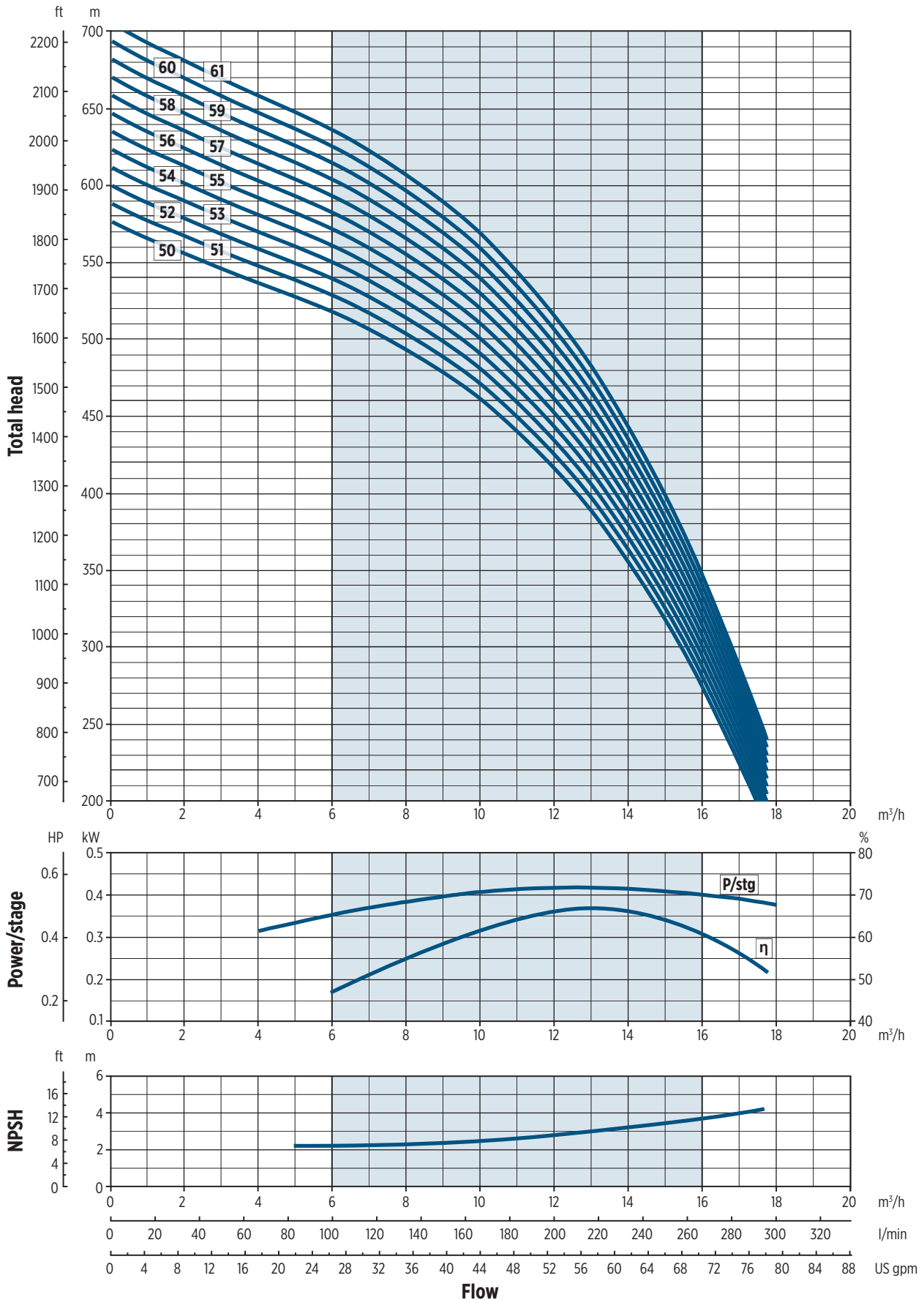
Stages	Motor			Dimensions [mm]					Pump weight [Kg]
	Type	[kW]	[HP]	L1	L2	Lt	D		
							1 cable	2 cables	
50	RW6	22	30	1760.5	1009	2769.5	149	149.5	125
51		22	30	1790.5	1009	2799.5	149	149.5	126
52		22	30	1820.5	1009	2829.5	149	149.5	127
53		26	35	1850.5	1114	2964.5	149	149.5	139
54		26	35	1880.5	1114	2994.5	149	149.5	139.5
55		26	35	1910.5	1114	3024.5	149	149.5	140.5
56		26	35	1940.5	1114	3054.5	149	149.5	141.5
57		26	35	1970.5	1114	3084.5	149	149.5	142
58		26	35	2000	1114	3114	149	149.5	143
59		26	35	2030	1114	3144	149	149.5	144
60		26	35	2060	1114	3174	149	149.5	145
61		26	35	2090	1114	3204	149	149.5	146



0035037 07/2017

14 SR HIGH PRESSURE - PERFORMANCE CURVES AT 50 Hz

MEI ≥ 0,40



00120163EN 08/2017

19 SR - TECHNICAL DATA AT 50 Hz

PUMPS WITH ENCAPSULATED MOTOR

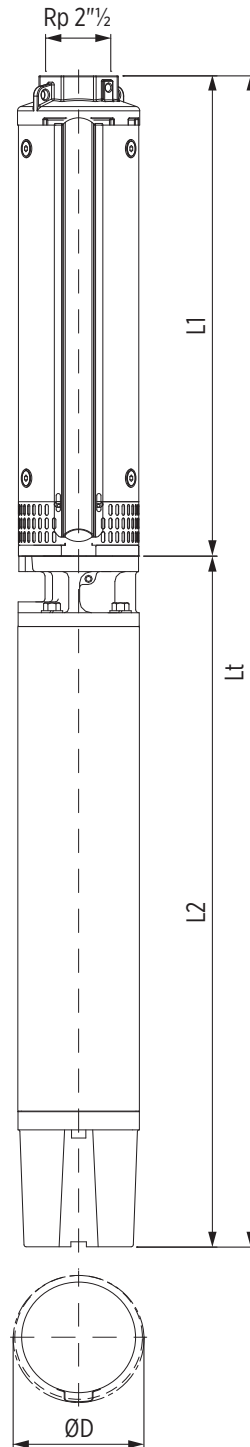
Stages	Motor			Dimensions [mm]					Pump weight [Kg]
	Type	[kW]	[HP]	L1	L2	Lt	D		
							1 cable	2 cables	
6	E4	3.7	5	497.5	520	1017.5	142.5	-	31.5
7		5.5	7.5	535	652.5	1187.5	142.5	-	40
8		5.5	7.5	572.5	652.5	1225	142.5	-	41
9		5.5	7.5	610	652.5	1262.5	142.5	-	41.5
10		7.5	10	647.5	730.5	1378	142.5	-	46.5
11		7.5	10	685	730.5	1415.5	142.5	-	47.5
12		7.5	10	722.5	730.5	1453	142.5	-	48

* Kit 14251005 necessary for 4" motors

6	E6	4	5.5	495	581	1076	143	144.5	50
7		5.5	7.5	532.5	614.5	1147	143	144.5	54.5
8		5.5	7.5	570	614.5	1184.5	143	144.5	55.5
9		5.5	7.5	607.5	614.5	1222	143	144.5	56
10		7.5	10	645	646	1291	143	144.5	61
11		7.5	10	682.5	646	1328.5	143	144.5	62
12		7.5	10	720	646	1366	143	144.5	62.5
13		9.3	12.5	757.5	678.5	1436	143	144.5	66
14		9.3	12.5	795	678.5	1473.5	143	144.5	67
15		9.3	12.5	832.5	678.5	1511	143	144.5	67.5
16		11	15	870	711	1581	143	144.5	72
17		11	15	907.5	711	1618.5	143	144.5	73
18		11	15	945	711	1656	143	144.5	73.5
19		15	20	982.5	776	1758.5	143	144.5	80
20		15	20	1020	776	1796	143	144.5	80.5
21		15	20	1057.5	776	1833.5	143	144.5	81.5
22		15	20	1095	776	1871	143	144.5	82.5
23		15	20	1132.5	776	1908.5	143	144.5	83
24		15	20	1170	776	1946	143	144.5	84

PUMPS WITH REWINDABLE MOTOR

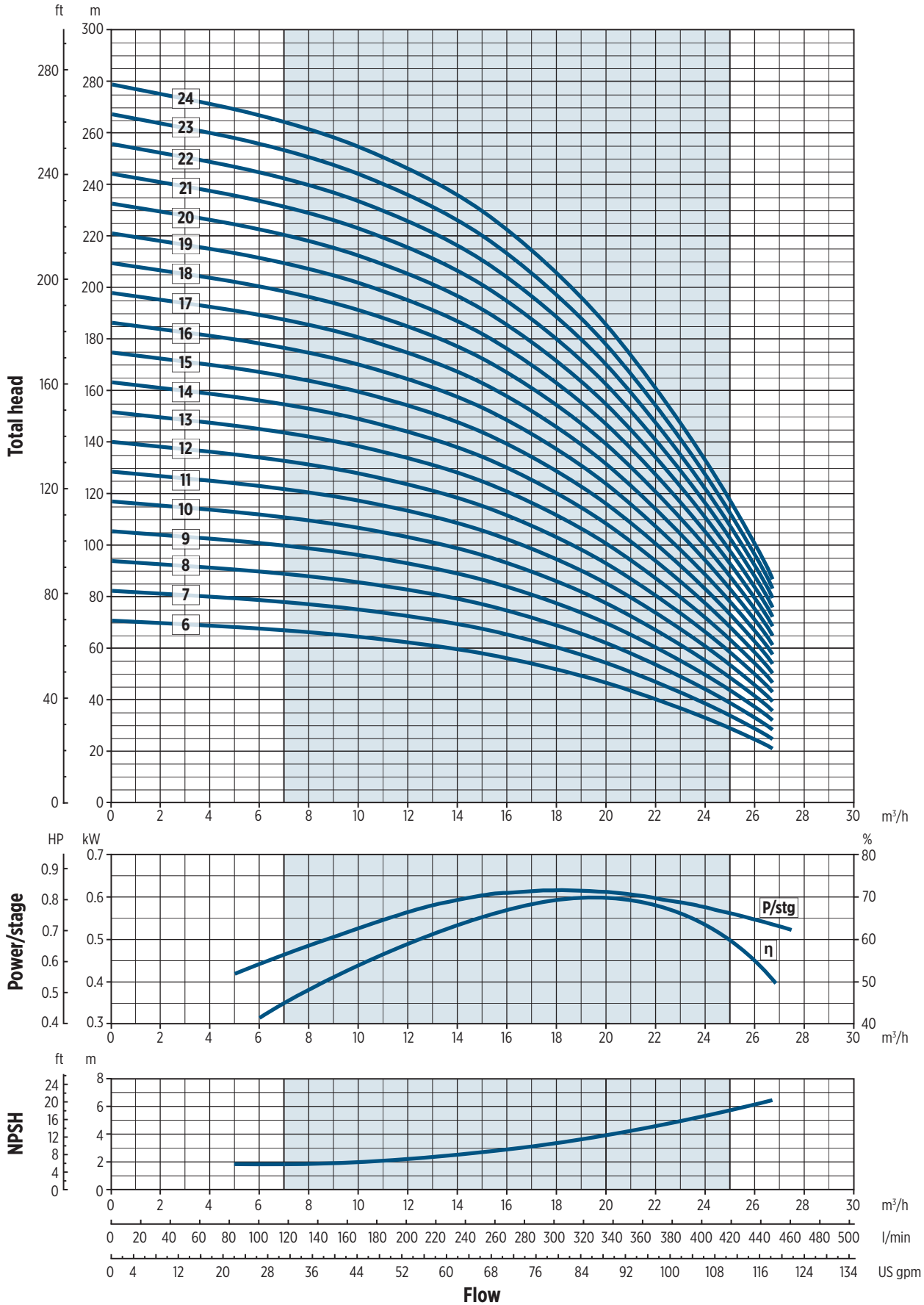
Stages	Motor			Dimensions [mm]					Pump weight [Kg]
	Type	[kW]	[HP]	L1	L2	Lt	D		
							1 cable	2 cables	
6	RW6	4	5.5	495	699	1194	147	147.5	60.5
7		5.5	7.5	532.5	699	1231.5	147	147.5	61.5
8		5.5	7.5	570	699	1269	147	147.5	62.5
9		5.5	7.5	607.5	699	1306.5	147	147.5	63
10		7.5	10	645	719	1364	147	147.5	66
11		7.5	10	682.5	719	1401.5	147	147.5	67
12		7.5	10	720	719	1439	147	147.5	67.5
13		9.3	12.5	757.5	749	1506.5	147	147.5	71.5
14		9.3	12.5	795	749	1544	147	147.5	72.5
15		9.3	12.5	832.5	749	1581.5	147	147.5	73
16		11	15	870	779	1649	147	147.5	77
17		11	15	907.5	779	1686.5	147	147.5	78
18		11	15	945	779	1724	147	147.5	78.5
19		13	17.5	982.5	829	1811.5	147	147.5	84.5
20		13	17.5	1020	829	1849	147	147.5	85
21		13	17.5	1057.5	829	1886.5	147	147.5	86
22		15	20	1095	874	1969	147	147.5	92
23		15	20	1132.5	874	2006.5	147	147.5	92.5
24		15	20	1170	874	2044	147	147.5	93.5



08/30/16 07/2017

19 SR - PERFORMANCE CURVES AT 50 Hz

MEI ≥ 0,40



0012006-EN/08/2017

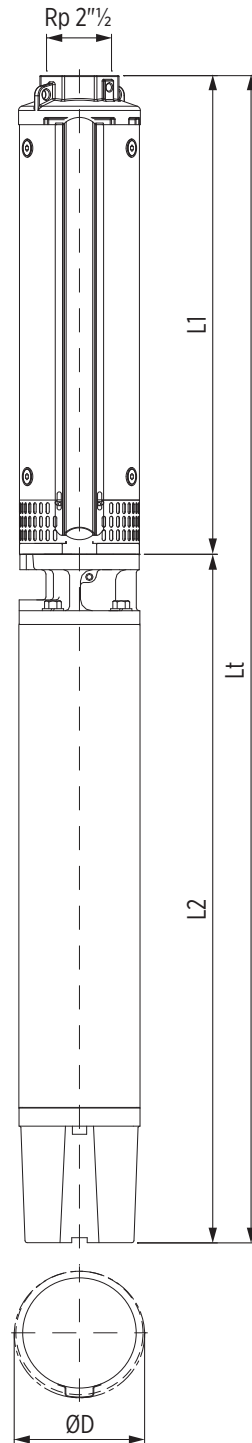
19 SR - TECHNICAL DATA AT 50 Hz

PUMPS WITH ENCAPSULATED MOTOR

Stages	Motor			Dimensions [mm]					Pump weight [Kg]
	Type	[kW]	[HP]	L1	L2	Lt	D		
							1 cable	2 cables	
25	E6	18.5	25	1207.5	841.5	2049	143	144.5	92
26		18.5	25	1245	841.5	2086.5	143	144.5	92.5
27		18.5	25	1282.5	841.5	2124	143	144.5	94.5
28		18.5	25	1319.5	841.5	2161	143	144.5	94.5
29		18.5	25	1357	841.5	2198.5	143	144.5	95
30		18.5	25	1394.5	841.5	2236	143	144.5	96
31		22	30	1432	906.5	2338.5	143	144.5	103
32		22	30	1469.5	906.5	2376	143	144.5	103.5
33		22	30	1507	906.5	2413.5	143	144.5	104.5
34		22	30	1544.5	906.5	2451	143	144.5	105
35		22	30	1582	906.5	2488.5	143	144.5	106
36		22	30	1619.5	906.5	2526	143	144.5	106.5
37		30	40	1657	1036.5	2693.5	143	144.5	122.5
38		30	40	1694.5	1036.5	2731	143	144.5	124
39		30	40	1732	1036.5	2768.5	143	144.5	124
40		30	40	1769.5	1036.5	2806	143	144.5	124.5
41		30	40	1807	1036.5	2843.5	143	144.5	126
42		30	40	1844.5	1036.5	2881	143	144.5	127
43		30	40	1882	1036.5	2918.5	143	144.5	128
44		30	40	1919.5	1036.5	2956	143	144.5	129
45		30	40	1957	1036.5	2993.5	143	144.5	130
46		30	40	1994	1036.5	3030.5	143	144.5	131

PUMPS WITH REWINDABLE MOTOR

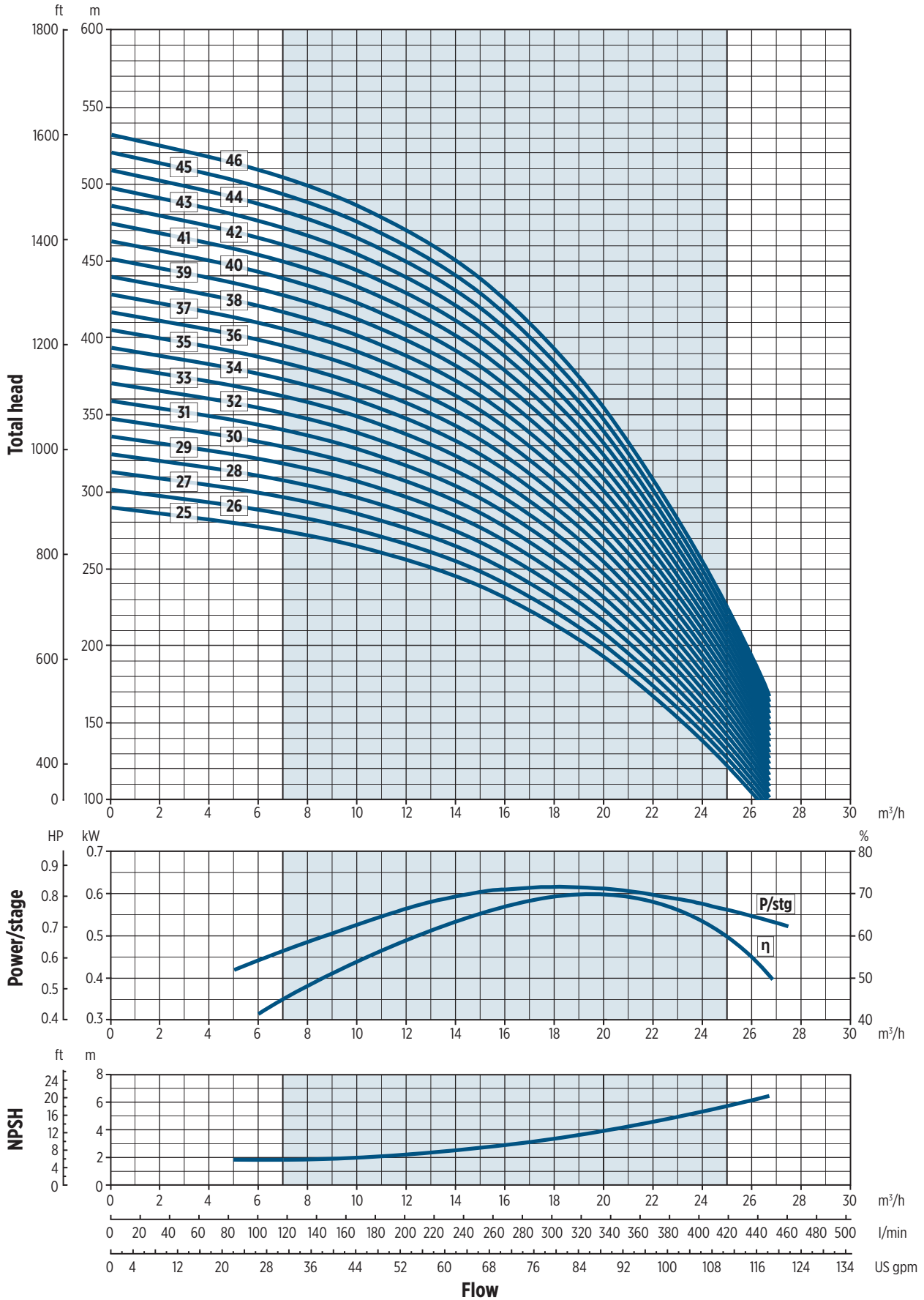
Stages	Motor			Dimensions [mm]					Pump weight [Kg]
	Type	[kW]	[HP]	L1	L2	Lt	D		
							1 cable	2 cables	
25	RW6	18.5	25	1207.5	919	2126.5	147	147.5	98.5
26		18.5	25	1245	919	2164	147	147.5	99
27		18.5	25	1282.5	919	2201.5	147	147.5	101
28		18.5	25	1319.5	919	2238.5	147	147.5	101
29		18.5	25	1357	919	2276	147	147.5	101.5
30		18.5	25	1394.5	919	2313.5	147	147.5	102.5
31		22	30	1432	1009	2441	147	147.5	112.5
32		22	30	1469.5	1009	2478.5	147	147.5	113
33		22	30	1507	1009	2516	147	147.5	114
34		22	30	1544.5	1009	2553.5	147	147.5	114.5
35		22	30	1582	1009	2591	147	147.5	115.5
36		22	30	1619.5	1009	2628.5	147	147.5	116
37		26	35	1657	1114	2771	147	147.5	128.5
38		26	35	1694.5	1114	2808.5	147	147.5	130
39		26	35	1732	1114	2846	147	147.5	130
40		26	35	1769.5	1114	2883.5	147	147.5	130.5
41		26	35	1807	1114	2921	147	147.5	132
42		26	35	1844.5	1114	2958.5	147	147.5	133
43		30	40	1882	1214	3096	147	147.5	144
44		30	40	1919.5	1214	3133.5	147	147.5	145
45		30	40	1957	1214	3171	147	147.5	146
46		30	40	1994	1214	3208	147	147.5	147



01/30/036_07/2017

19 SR - PERFORMANCE CURVES AT 50 Hz

MEI ≥ 0,40



00120065EN/08/2017

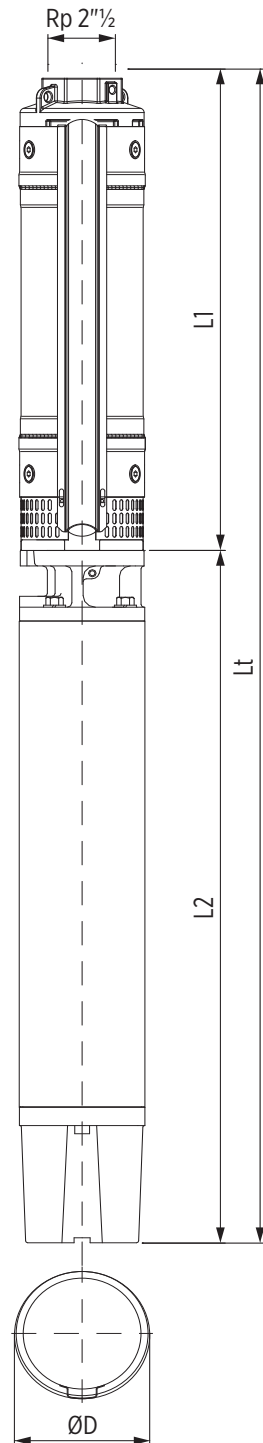
19 SR HIGH PRESSURE - TECHNICAL DATA AT 50 Hz

PUMPS WITH ENCAPSULATED MOTOR

Stages	Motor			Dimensions [mm]					Pump weight [Kg]
	Type	[kW]	[HP]	L1	L2	Lt	D		
							1 cable	2 cables	
47	E6	30	40	2031.5	1036.5	3068	145	146.5	131.5
48		30	40	2069	1036.5	3105.5	145	146.5	132
49		30	40	2106.5	1036.5	3143	145	146.5	134
50		37	50	2144	1421.5	3565.5	145	146.5	189
51		37	50	2181.5	1421.5	3603	145	146.5	190
52		37	50	2219	1421.5	3640.5	145	146.5	191
53		37	50	2256.5	1421.5	3678	145	146.5	192
54		37	50	2294	1421.5	3715.5	145	146.5	193
55		37	50	2331.5	1421.5	3753	145	146.5	194
56		37	50	2369	1421.5	3790.5	145	146.5	195
57		37	50	2406.5	1421.5	3828	145	146.5	196
58		37	50	2444	1421.5	3865.5	145	146.5	197
59		37	50	2481.5	1421.5	3903	145	146.5	198
60		37	50	2519	1421.5	3940.5	145	146.5	199

PUMPS WITH REWINDABLE MOTOR

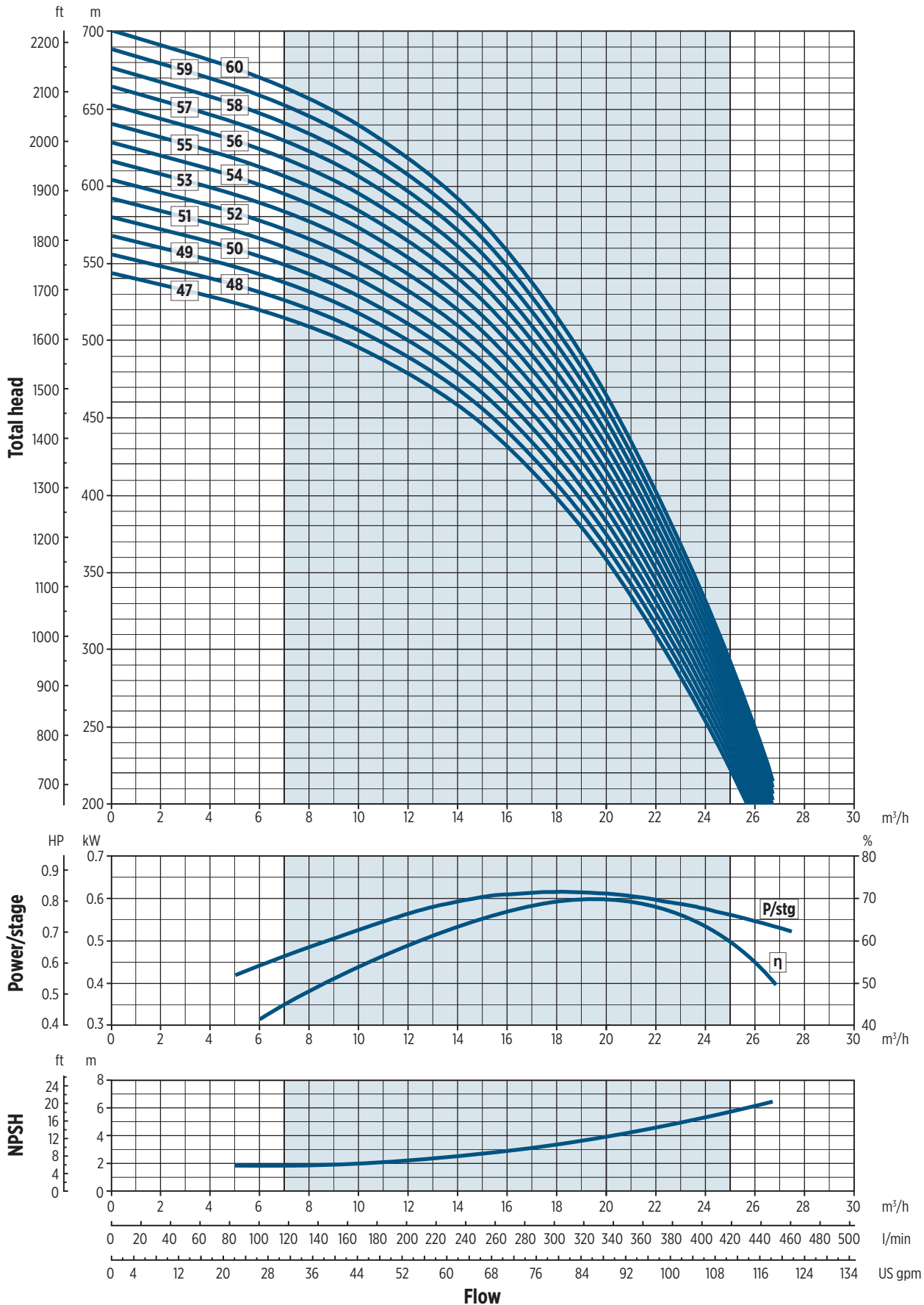
Stages	Motor			Dimensions [mm]					Pump weight [Kg]
	Type	[kW]	[HP]	L1	L2	Lt	D		
							1 cable	2 cables	
47	RW6	30	40	2031.5	1214	3245.5	149	149.5	147.5
48		30	40	2069	1214	3283	149	149.5	148
49		30	40	2106.5	1214	3320.5	149	149.5	150
50		37	50	2144	1294	3438	149	149.5	158
51		37	50	2181.5	1294	3475.5	149	149.5	159
52		37	50	2219	1294	3513	149	149.5	160
53		37	50	2256.5	1294	3550.5	149	149.5	161
54		37	50	2294	1294	3588	149	149.5	162
55		37	50	2331.5	1294	3625.5	149	149.5	163
56		37	50	2369	1294	3663	149	149.5	164
57		37	50	2406.5	1294	3700.5	149	149.5	165
58		37	50	2444	1294	3738	149	149.5	166
59		37	50	2481.5	1294	3775.5	149	149.5	167
60		37	50	2519	1294	3813	149	149.5	168



0083037 01/2017

19 SR HIGH PRESSURE - PERFORMANCE CURVES AT 50 Hz

MEI ≥ 0,40



0012016GEN 08/2017

25 SR* - TECHNICAL DATA AT 50 Hz

* IMPORTANT: Models only for sales out of EU or as a component of fire-fighting units

PUMPS WITH ENCAPSULATED MOTOR

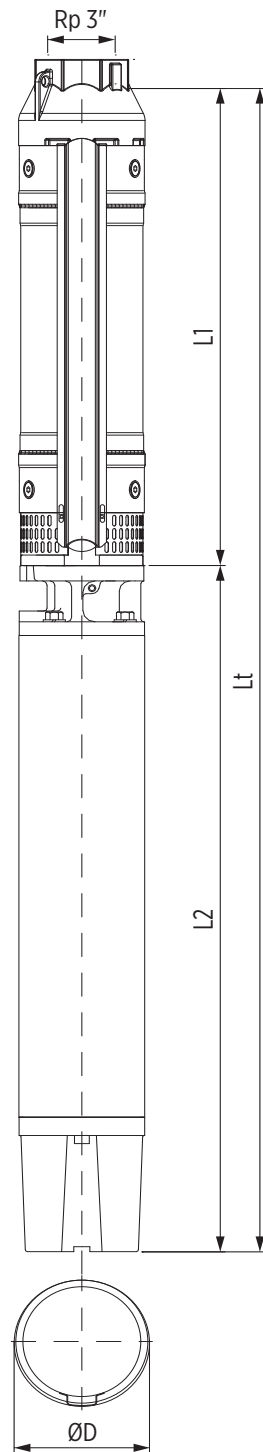
Stages	Motor			Dimensions [mm]					Pump weight [Kg]
	Type	[kW]	[HP]	L1	L2	Lt	D		
							1 cable	2 cables	
3	E4 HT *	3	4	461	477	938	142.5	-	28.5
4		4	5.5	507.5	543	1050.5	142.5	-	32.5
5		5.5	7.5	554	652.5	1206.5	142.5	-	40
6		7.5	10	600.5	730.5	1331	142.5	-	45
7		7.5	1	647	730.5	1377.5	142.5	-	46

* Kit 14251005 necessary for 4" motors

3	E6	4	5.5	458.5	581	1039.5	143	144.5	49
4		4	5.5	505	581	1086	143	144.5	50
5		5.5	7.5	551.5	614.5	1166	143	144.5	54.5
6		7.5	1	598	646	1244	143	144.5	59.5
7		7.5	10	644.5	646	1290.5	143	144.5	60.5
8		9.3	12.5	691	678.5	1369.5	143	144.5	64
9		9.3	12.5	737.5	678.5	1416	143	144.5	65
10		11	15	784	711	1495	143	144.5	70
11		11	15	830.5	711	1541.5	143	144.5	70.5
12		15	2	877	776	1653	143	144.5	77.5
13		15	2	923.5	776	1699.5	143	144.5	79
14		15	2	97	776	1746	143	144.5	79
15		15	2	1016.5	776	1792.5	143	144.5	79.5
16		18.5	25	1063	841.5	1904.5	143	144.5	88
17		18.5	25	1109.5	841.5	1951	143	144.5	88.5
18		18.5	25	1156	841.5	1997.5	143	144.5	89.5
19		18.5	25	1202.5	841.5	2044	143	144.5	90.5
20		22	3	1249	906.5	2155.5	143	144.5	97.5
21		22	30	1295.5	906.5	2202	143	144.5	98.5
22		22	3	1342	906.5	2248.5	143	144.5	99.5
23	22	30	1388.5	906.5	2295	143	144.5	100.5	

PUMPS WITH REWINDABLE MOTOR

Stages	Motor			Dimensions [mm]					Pump weight [Kg]
	Type	[kW]	[HP]	L1	L2	Lt	D		
							1 cable	2 cables	
3	RW6	4	5.5	458.5	699	1157.5	147	147.5	59.5
4		4	5.5	505	699	1204	147	147.5	60.5
5		5.5	7.5	551.5	699	1250.5	147	147.5	61.5
6		7.5	1	598	719	1317	147	147.5	64.5
7		7.5	1	644.5	719	1363.5	147	147.5	65.5
8		9.3	12.5	691	749	144	147	147.5	69.5
9		9.3	12.5	737.5	749	1486.5	147	147.5	70.5
10		11	15	784	779	1563	147	147.5	75
11		11	15	830.5	779	1609.5	147	147.5	75.5
12		13	17.5	877	829	1706	147	147.5	82
13		13	17.5	923.5	829	1752.5	147	147.5	83.5
14		15	2	97	874	1844	147	147.5	88.5
15		15	20	1016.5	874	1890.5	147	147.5	89
16		18.5	25	1063	919	1982	147	147.5	94.5
17		18.5	25	1109.5	919	2028.5	147	147.5	95
18		18.5	25	1156	919	2075	147	147.5	96
19		18.5	25	1202.5	919	2121.5	147	147.5	97
20		22	30	1249	1009	2258	147	147.5	107
21		22	30	1295.5	1009	2304.5	147	147.5	108
22		22	30	1342	1009	2351	147	147.5	109
23	22	30	1388.5	1009	2397.5	147	147.5	110	

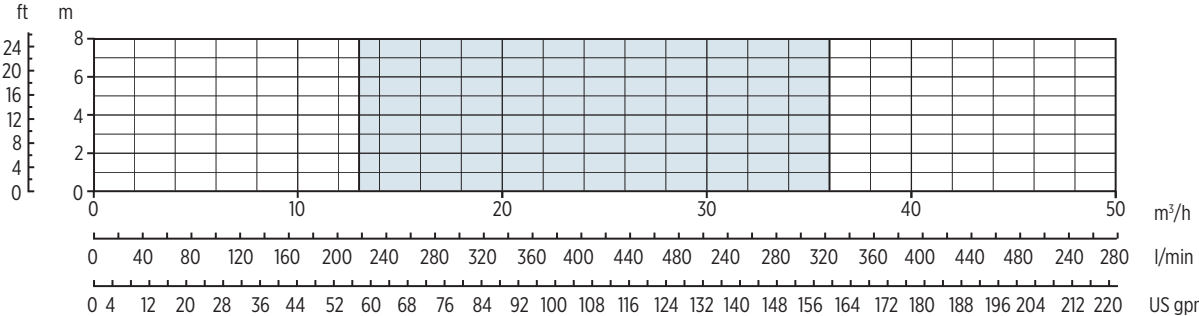
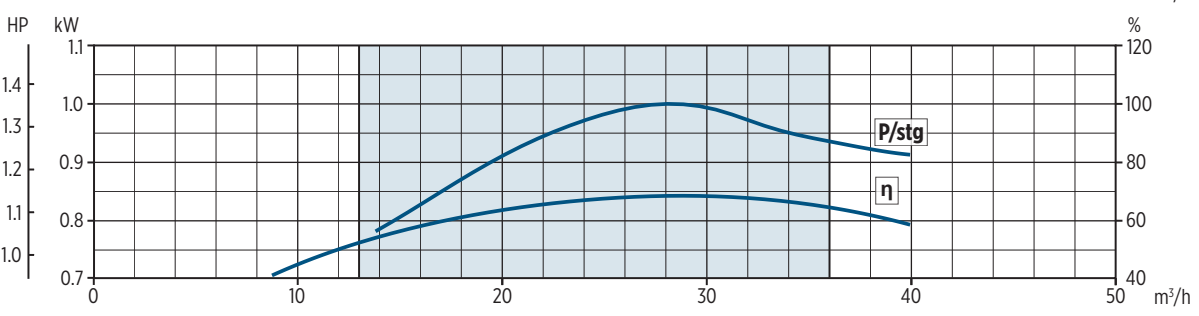
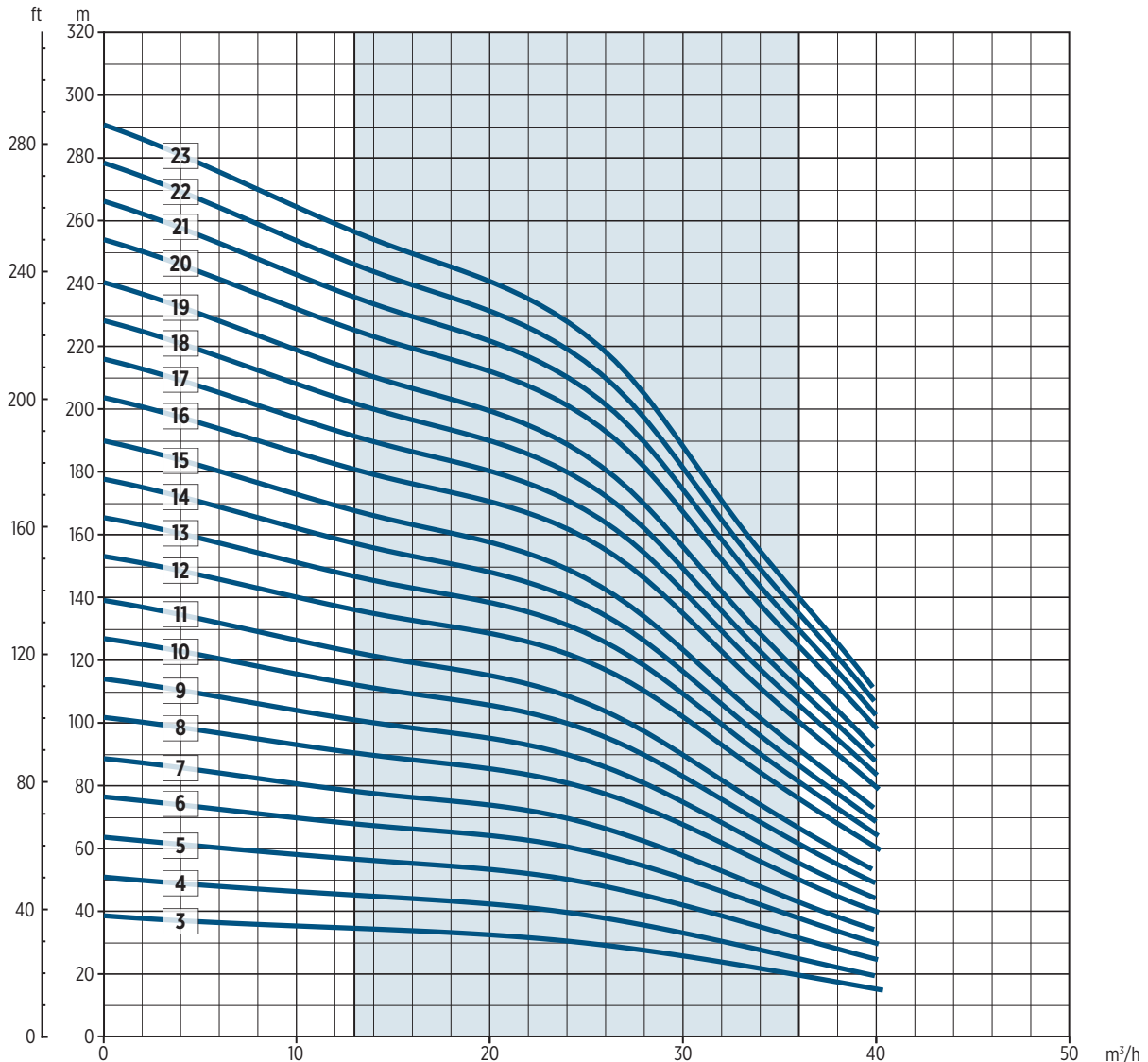


0010249 06/2021

25 SR* - PERFORMANCE CURVES AT 50 Hz

* IMPORTANT: Models only for sales out of EU or as a component of fire-fighting units

MEI ≥ 0,40



00720260 05/2020

30 SR - TECHNICAL DATA AT 50 Hz

PUMPS WITH ENCAPSULATED MOTOR

Stages	Motor			Dimensions [mm]					Pump weight [Kg]
	Type	[kW]	[HP]	L1	L2	Lt	D		
							1 cable	2 cables	
3	E4	3.7	5	622	520	1142	142.5	-	34
4		5.5	7.5	707.5	652.5	1360	142.5	-	43.5
5		7.5	10	793	730.5	1523.5	142.5	-	50
6		7.5	10	878.5	730.5	1609	142.5	-	52

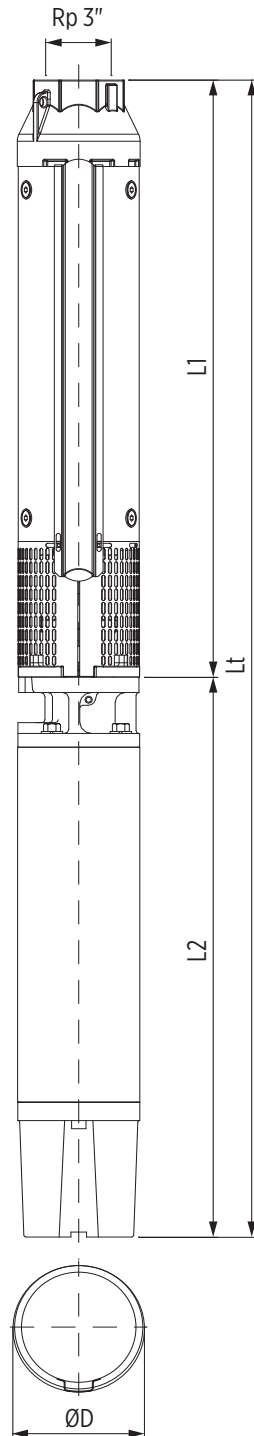
* Kit 14251005 necessary for 4" motors

3	E6	4	5.5	620	581	1201	143	144.5	52
4		5.5	7.5	705.5	614.5	1320	143	144.5	58
5		7.5	10	790.5	646	1436.5	143	144.5	64
6		7.5	10	876	646	1522	143	144.5	66
7		9.3	12.5	961.5	678.5	1640	143	144.5	70.5
8		11	15	1047	711	1758	143	144.5	76.5
9		11	15	1132.5	711	1843.5	143	144.5	78.5
10		15	20	1218	776	1994	143	144.5	86
11		15	20	1303.5	776	2079.5	143	144.5	88
12		15	20	1389	776	2165	143	144.5	90
13		18.5	25	1474.5	841.5	2316	143	144.5	99
14		18.5	25	1560	841.5	2401.5	143	144.5	101.5
15		22	30	1645.5	906.5	2552	143	144.5	109.5
16		22	30	1730.5	906.5	2637	143	144.5	111.5
17		22	30	1816	906.5	2722.5	143	144.5	113.5
18		22	30	1901.5	906.5	2808	143	144.5	115.5
19		30	40	1987	1036.5	3023.5	143	144.5	132
20		30	40	2072.5	1036.5	3109	143	144.5	134.5

PUMPS WITH REWINDABLE MOTOR

Stages	Vers. R	Motor			Dimensions [mm]					Pump weight [Kg]
		Type	[kW]	[HP]	L1	L2	Lt	D		
								1 cable	2 cables	
3	●	RW6	4	5.5	620	699	1319	147	147.5	62.5
4	●		5.5	7.5	705.5	699	1404.5	147	147.5	65
5	●		7.5	10	790.5	719	1509.5	147	147.5	69
6	●		7.5	10	876	719	1595	147	147.5	71
7	●		9.3	12.5	961.5	749	1710.5	147	147.5	76
8	●		11	15	1047	779	1826	147	147.5	81.5
9	●		11	15	1132.5	779	1911.5	147	147.5	83.5
10	●		13	17.5	1218	829	2047	147	147.5	90.5
11	●		15	20	1303.5	874	2177.5	147	147.5	97.5
12	●		15	20	1389	874	2263	147	147.5	99.5
13	●		18.5	25	1474.5	919	2393.5	147	147.5	105.5
14	●		18.5	25	1560	919	2479	147	147.5	108
15	●		22	30	1645.5	1009	2654.5	147	147.5	119
16	●		22	30	1730.5	1009	2739.5	147	147.5	121
17	●		22	30	1816	1009	2825	147	147.5	123
18	●		22	30	1901.5	1009	2910.5	147	147.5	125
19	●		26	35	1987	1114	3101	147	147.5	138
20	●		26	35	2072.5	1114	3186.5	147	147.5	140.5

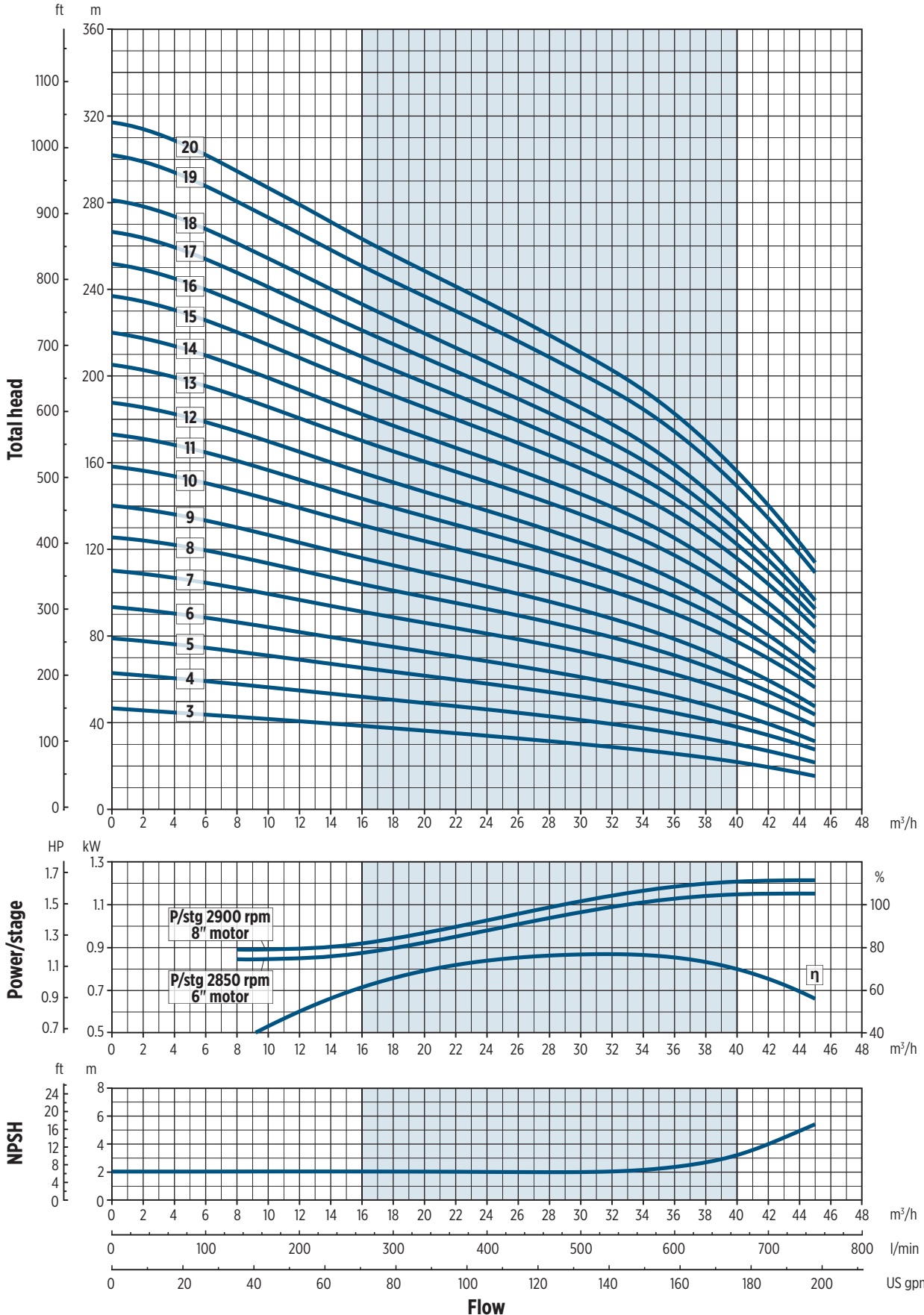
● = Pump available in R version (AISI 904L)



00193088 07/2017

30 SR - PERFORMANCE CURVES AT 50 Hz

MEI ≥ 0,40



001201067EN 08/2017

30 SR - TECHNICAL DATA AT 50 Hz

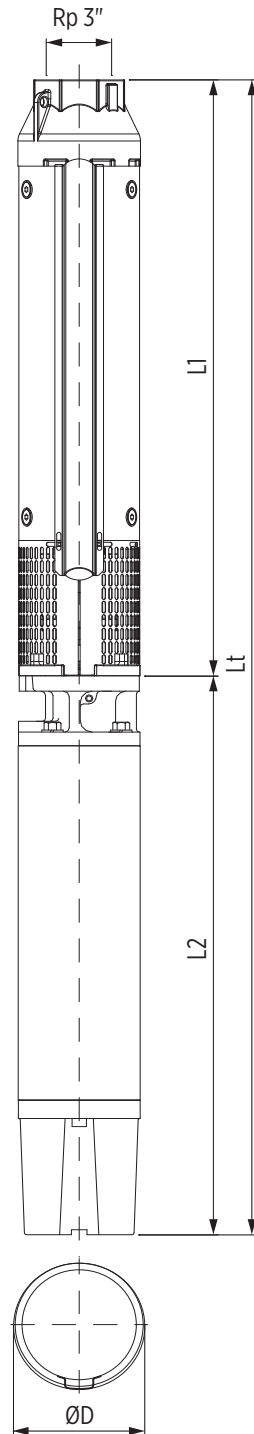
PUMPS WITH ENCAPSULATED MOTOR

Stages	Motor			Dimensions [mm]					Pump weight [Kg]
	Type	[kW]	[HP]	L1	L2	Lt	D		
							1 cable	2 cables	
21	E6	30	40	2157.5	1036.5	3194	143	144.5	136.5
22		30	40	2243	1036.5	3279.5	143	144.5	138.5
23		30	40	2328.5	1036.5	3365	143	144.5	140.5
24		30	40	2414	1036.5	3450.5	143	144.5	142.5
25		37	50	2499	1421.5	3920.5	143	144.5	199
26		37	50	2584.5	1421.5	4006	143	144.5	201
27		37	50	2670	1421.5	4091.5	143	144.5	203
28		37	50	2755	1421.5	4176.5	143	144.5	205
29		37	50	2840.5	1421.5	4262	143	144.5	207
30		37	50	2926	1421.5	4347.5	143	144.5	209.5
31		45	60	3011	1574	4585	143	144.5	224.5
32		45	60	3096.5	1574	4670.5	143	144.5	227.5
33		45	60	3182	1574	4756	143	144.5	229.5
34		45	60	3267.5	1574	4841.5	143	144.5	231.5
35		45	60	3352.5	1574	4926.5	143	144.5	234

PUMPS WITH REWINDABLE MOTOR

Stages	Vers. R	Motor			Dimensions [mm]					Pump weight [Kg]
		Type	[kW]	[HP]	L1	L2	Lt	D		
								1 cable	2 cables	
21	●	RW6	26	35	2157.5	1114	3271.5	147	147.5	142.5
22	●		30	40	2243	1214	3457	147	147.5	154.5
23	●		30	40	2328.5	1214	3542.5	147	147.5	156.5
24	●		30	40	2414	1214	3628	147	147.5	158.5
25	●		37	50	2499	1294	3793	147	147.5	168
26	●		37	50	2584.5	1294	3878.5	147	147.5	170
27	●		37	50	2670	1294	3964	147	147.5	172
28	●		37	50	2755	1294	4049	147	147.5	174
29	●		37	50	2840.5	1294	4134.5	147	147.5	176
30	●		37	50	2926	1294	4220	147	147.5	178.5
31		RW8	45	60	3111	1230	4341	189	189	234.5
32			45	60	3196.5	1230	4426.5	189	189	237.5
33			45	60	3282	1230	4512	189	189	239.5
34			45	60	3367.5	1230	4597.5	189	189	241.5
35			45	60	3452.5	1230	4682.5	189	189	244

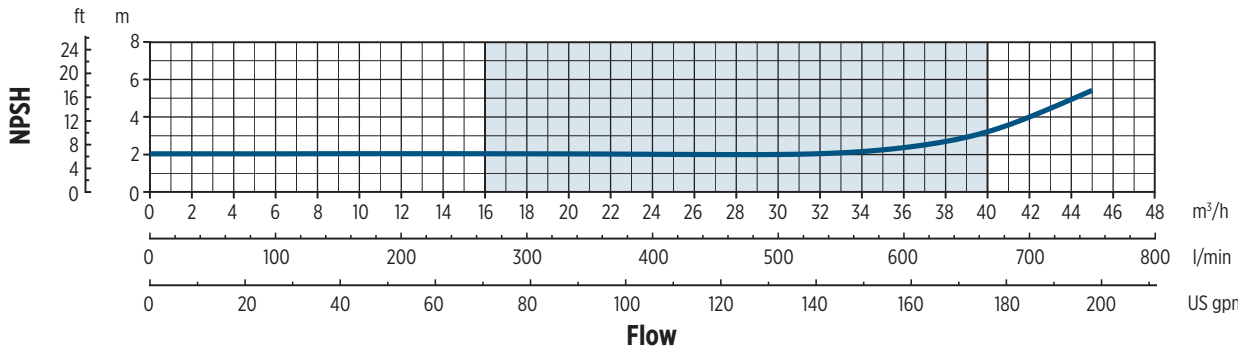
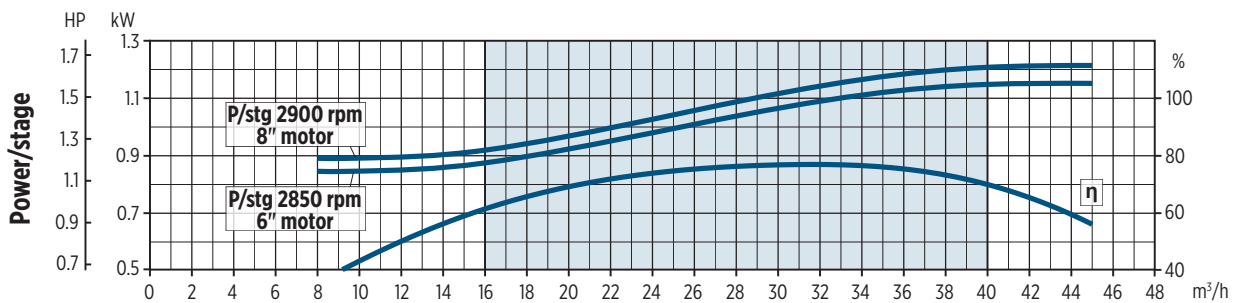
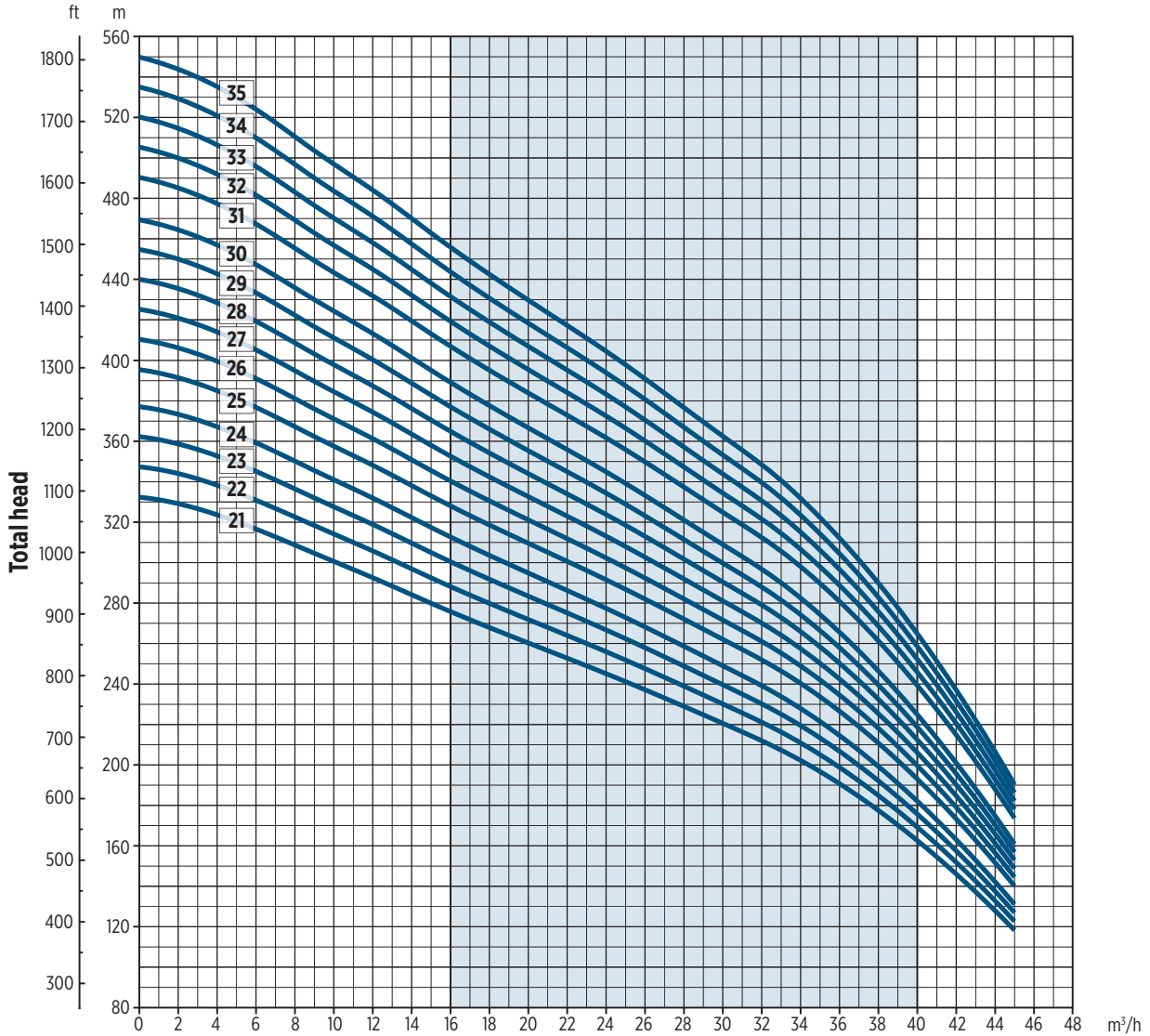
● = Pump available in R version (AISI 904L)



003038 07/2017

30 SR - PERFORMANCE CURVES AT 50 Hz

MEI ≥ 0,40



The hydraulic characteristics are guaranteed, according to ISO standard 9906:2012, grade 3B

0012018EN 08/2017

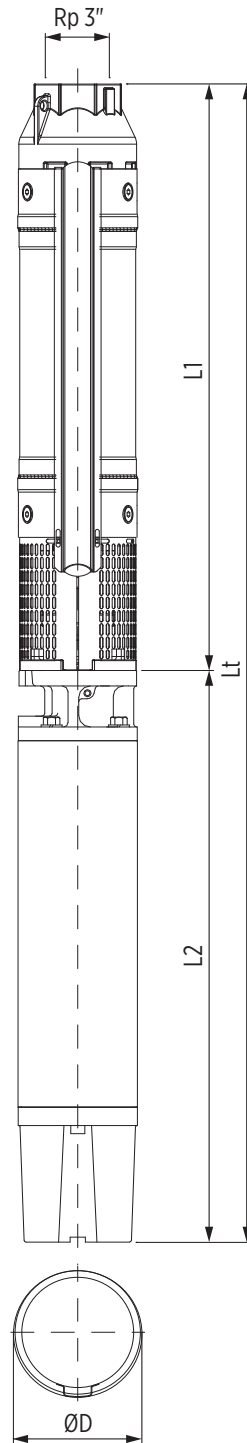
30 SR HIGH PRESSURE - TECHNICAL DATA AT 50 Hz

PUMPS WITH ENCAPSULATED MOTOR

Stages	Motor			Dimensions [mm]					Pump weight [Kg]
	Type	[kW]	[HP]	L1	L2	Lt	D		
							1 cable	2 cables	
36	E6	45	60	3438	1574	5012	145	146.5	237
37		45	60	3523.5	1574	5097.5	145	146.5	239
38	E8	55	75	3709	1204	4913	190.5	190.5	270.5
39		55	75	3794	1204	4998	190.5	190.5	272.5
40		55	75	3879.5	1204	5083.5	190.5	190.5	275
41		55	75	3965	1204	5169	190.5	190.5	276
42		55	75	4050.5	1204	5254.5	190.5	190.5	277
43		55	75	4135.5	1204	5339.5	190.5	190.5	278

PUMPS WITH REWINDABLE MOTOR

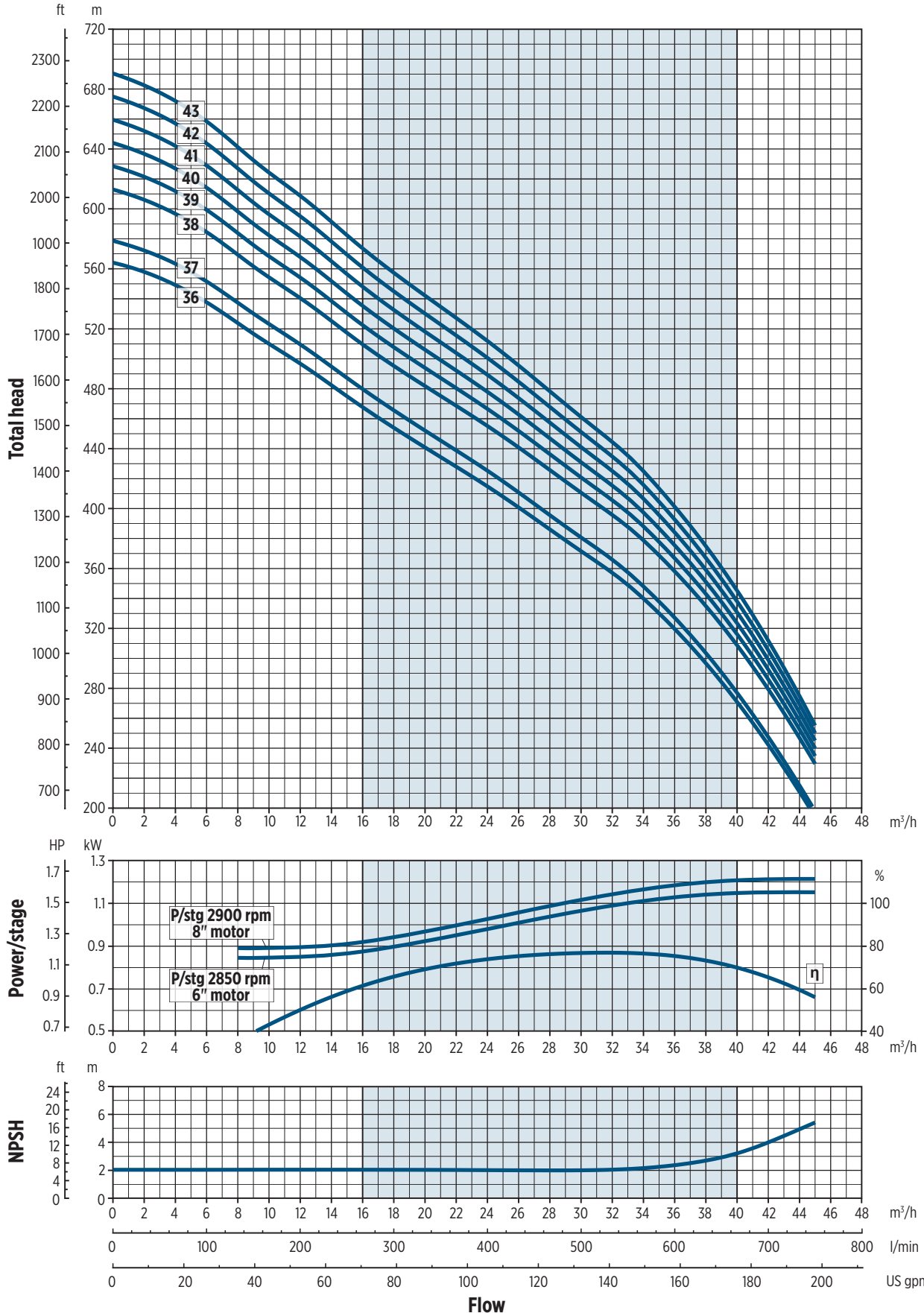
Stages	Motor			Dimensions [mm]					Pump weight [Kg]
	Type	[kW]	[HP]	L1	L2	Lt	D		
							1 cable	2 cables	
36	RW8	45	60	3538	1230	4768	189	189	247
37		45	60	3623.5	1230	4853.5	189	189	249
38		55	75	3709	1340	5049	189	189	274.5
39		55	75	3794	1340	5134	189	189	276.5
40		55	75	3879.5	1340	5219.5	189	189	279
41		55	75	3965	1340	5305	189	189	280
42		55	75	4050.5	1340	5390.5	189	189	281
43		55	75	4135.5	1340	5475.5	189	189	282



00130039 07/2017

30 SR HIGH PRESSURE - PERFORMANCE CURVES AT 50 Hz

MEI ≥ 0,40



0012016EN 08/2017

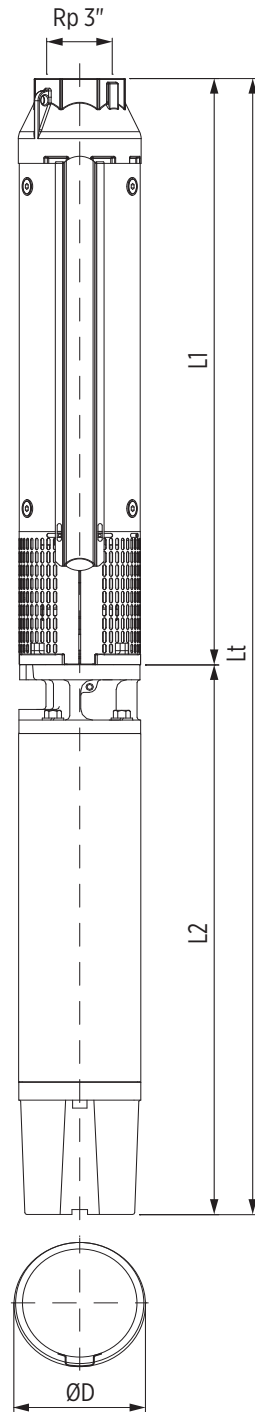
46 SR - TECHNICAL DATA AT 50 Hz

PUMPS WITH ENCAPSULATED MOTOR

Stages	Motor			Dimensions [mm]					Pump weight [Kg]
	Type	[kW]	[HP]	L1	L2	Lt	D		
							1 cable	2 cables	
2	E4	3	4	593.5	477	1070.5	142.5	-	31
3		4	5.5	707.5	543	1250.5	142.5	-	36.5
4		5.5	7.5	821.5	652.5	1474	142.5	-	45.5
5		7.5	10	935.5	730.5	1666	142.5	-	52.5

* Kit 14251005 necessary for 4" motors

2	E6	4	5.5	591.5	581	1172.5	143	144.5	51
3		4	5.5	705.5	581	1286.5	143	144.5	53.5
4		5.5	7.5	819.5	614.5	1434	143	144.5	60
5		7.5	10	933.5	646	1579.5	143	144.5	66.5
6		9.3	12.5	1047	678.5	1725.5	143	144.5	71.5
7		9.3	12.5	1161	678.5	1839.5	143	144.5	74
8		11	15	1275	711	1986	143	144.5	80
9		15	20	1389	776	2165	143	144.5	88.5
10		15	20	1503	776	2279	143	144.5	91
11		15	20	1617	776	2393	143	144.5	93.5
12		18.5	25	1730.5	841.5	2572	143	144.5	103
13		18.5	25	1844.5	841.5	2686	143	144.5	105.5
14		18.5	25	1958.5	841.5	2800	143	144.5	108.5
15		22	30	2072.5	906.5	2979	143	144.5	117
16		22	30	2186	906.5	3092.5	143	144.5	119.5
17		22	30	2300	906.5	3206.5	143	144.5	122
18		30	40	2414	1036.5	3450.5	143	144.5	139.5
19		30	40	2527.5	1036.5	3564	143	144.5	142
20		30	40	2641.5	1036.5	3678	143	144.5	144.5
21		30	40	2755	1036.5	3791.5	143	144.5	147
22		30	40	2869	1036.5	3905.5	143	144.5	149.5
23		30	40	2983	1036.5	4019.5	143	144.5	152.5
24		37	50	3096.5	1421.5	4518	143	144.5	209
25		37	50	3210.5	1421.5	4632	143	144.5	211.5
26		37	50	3324	1421.5	4745.5	143	144.5	214



00130038-07/2017

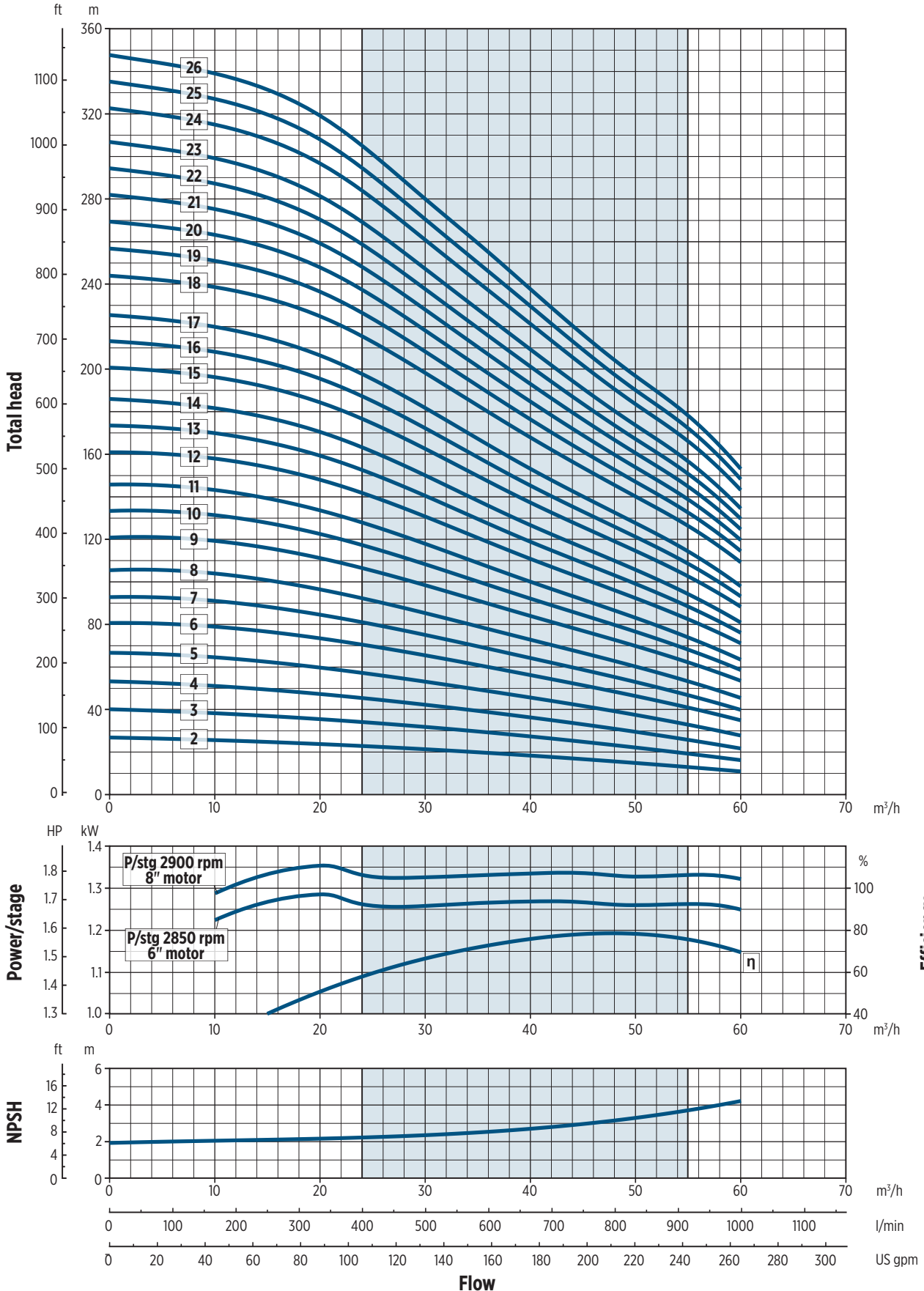
PUMPS WITH REWINDABLE MOTOR

Stages	Vers. R	Motor			Dimensions [mm]					Pump weight [Kg]
		Type	[kW]	[HP]	L1	L2	Lt	D		
								1 cable	2 cables	
2	●	RW6	4	5.5	591.5	699	1290.5	147	147.5	61.5
3	●		4	5.5	705.5	699	1404.5	147	147.5	64
4	●		5.5	7.5	819.5	699	1518.5	147	147.5	67
5	●		7.5	10	933.5	719	1652.5	147	147.5	71.5
6	●		9.3	12.5	1047	749	1796	147	147.5	77
7	●		9.3	12.5	1161	749	1910	147	147.5	79.5
8	●		11	15	1275	779	2054	147	147.5	85
9	●		13	17.5	1389	829	2218	147	147.5	93
10	●		13	17.5	1503	829	2332	147	147.5	95.5
11	●		15	20	1617	874	2491	147	147.5	103
12	●		18.5	25	1730.5	919	2649.5	147	147.5	109.5
13	●		18.5	25	1844.5	919	2763.5	147	147.5	112
14	●		18.5	25	1958.5	919	2877.5	147	147.5	115
15	●		22	30	2072.5	1009	3081.5	147	147.5	126.5
16	●		22	30	2186	1009	3195	147	147.5	129
17	●		22	30	2300	1009	3309	147	147.5	131.5
18	●		26	35	2414	1114	3528	147	147.5	145.5
19	●		26	35	2527.5	1114	3641.5	147	147.5	148
20	●		30	40	2641.5	1214	3855.5	147	147.5	160.5
21	●		30	40	2755	1214	3969	147	147.5	163
22	●		30	40	2869	1214	4083	147	147.5	165.5
23	●		30	40	2983	1214	4197	147	147.5	168.5
24	●		37	50	3096.5	1294	4390.5	147	147.5	178
25	●		37	50	3210.5	1294	4504.5	147	147.5	180.5
26	●		37	50	3324	1294	4618	147	147.5	183

● = Pump available in R version (AISI 904L)

46 SR - PERFORMANCE CURVES AT 50 Hz

MEI ≥ 0,40



00120010EN 08/2017

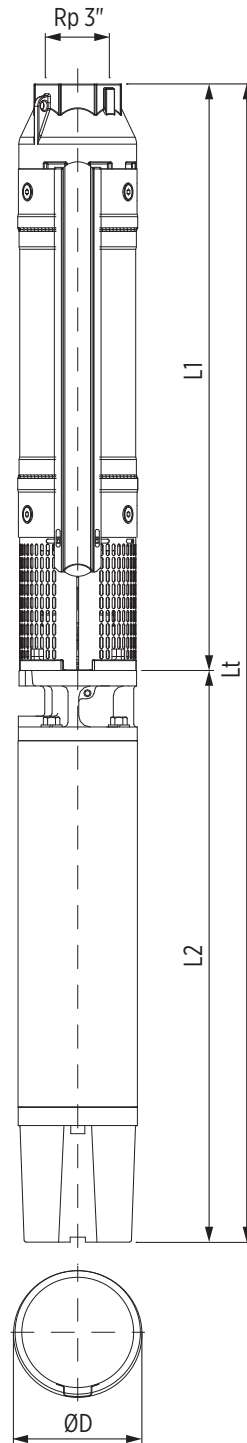
46 SR HIGH PRESSURE - TECHNICAL DATA AT 50 Hz

PUMPS WITH ENCAPSULATED MOTOR

Stages	Motor			Dimensions [mm]					Pump weight [Kg]
	Type	[kW]	[HP]	L1	L2	Lt	D		
							1 cable	2 cables	
27	E6	37	50	3438	1421.5	4859.5	145	146.5	217.5
28		37	50	3552	1421.5	4973.5	145	146.5	220
29		45	60	3665.5	1574	5239.5	145	146.5	236.5
30		45	60	3779.5	1574	5353.5	145	146.5	239
31		45	60	3893.5	1574	5467.5	145	146.5	242
32		45	60	4007	1574	5581	145	146.5	244.5
33		45	60	4121	1574	5695	145	146.5	247
34	E8	55	75	4335	1204	5539	190.5	190.5	279
35		55	75	4449	1204	5653	190.5	190.5	281.5
36		55	75	4562.5	1204	5766.5	190.5	190.5	284.5
37		55	75	4676.5	1204	5880.5	190.5	190.5	287
38		55	75	4790.5	1204	5994.5	190.5	190.5	289.5
39		55	75	4904.5	1204	6108.5	190.5	190.5	292
40		55	75	5018.5	1204	6222.5	190.5	190.5	295

PUMPS WITH REWINDABLE MOTOR

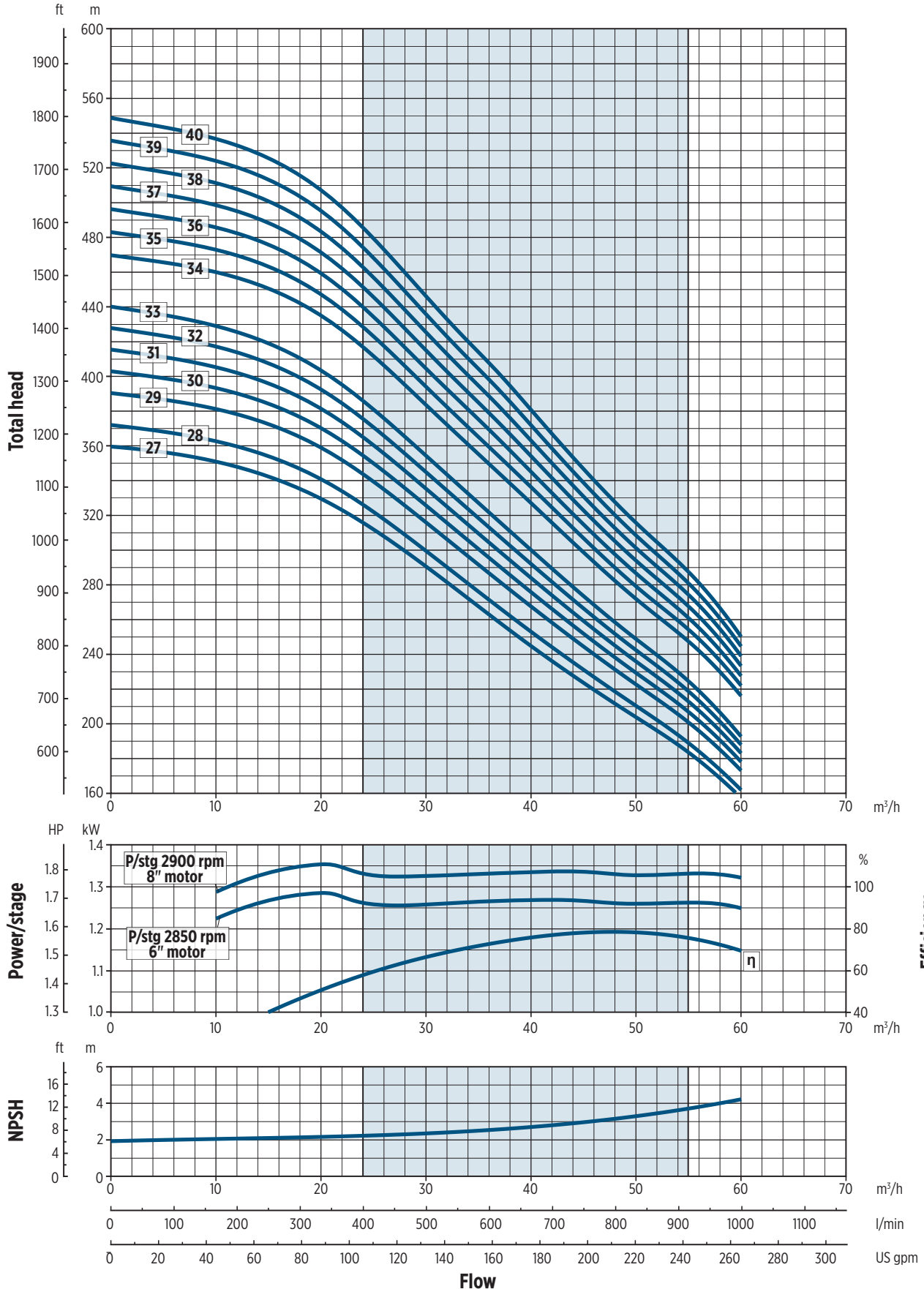
Stages	Motor			Dimensions [mm]					Pump weight [Kg]
	Type	[kW]	[HP]	L1	L2	Lt	D		
							1 cable	2 cables	
27	RW6	37	50	3438	1294	4732	149	149.5	186.5
28		37	50	3552	1294	4846	149	149.5	189
29	RW8	45	60	3765.5	1230	4995.5	189	189	246.5
30		45	60	3879.5	1230	5109.5	189	189	249
31		45	60	3993.5	1230	5223.5	189	189	252
32		45	60	4107	1230	5337	189	189	254.5
33		45	60	4221	1230	5451	189	189	257
34		55	75	4335	1340	5675	189	189	283
35		55	75	4449	1340	5789	189	189	285.5
36		55	75	4562.5	1340	5902.5	189	189	288.5
37		55	75	4676.5	1340	6016.5	189	189	291
38		55	75	4790.5	1340	6130.5	189	189	293.5
39		55	75	4904.5	1340	6244.5	189	189	296
40		55	75	5018.5	1340	6358.5	189	189	299



00130039 07/2017

46 SR HIGH PRESSURE - PERFORMANCE CURVES AT 50 Hz

MEI ≥ 0,40



0012007EN 08/2017

65 SR - TECHNICAL DATA AT 50 Hz

PUMPS WITH ENCAPSULATED MOTOR

Stages	Motor			Dimensions [mm]					Pump weight [Kg]
	Type	[kW]	[HP]	L1	L2	Lt	D		
							1 cable	2 cables	
2	E4	3.7	5	593.5	520	1113.5	142.5	-	33
3		5.5	7.5	707.5	652.5	1360	142.5	-	43
4		7.5	10	821.5	730.5	1552	142.5	-	49.5

* Kit 14251005 necessary for 4" motors

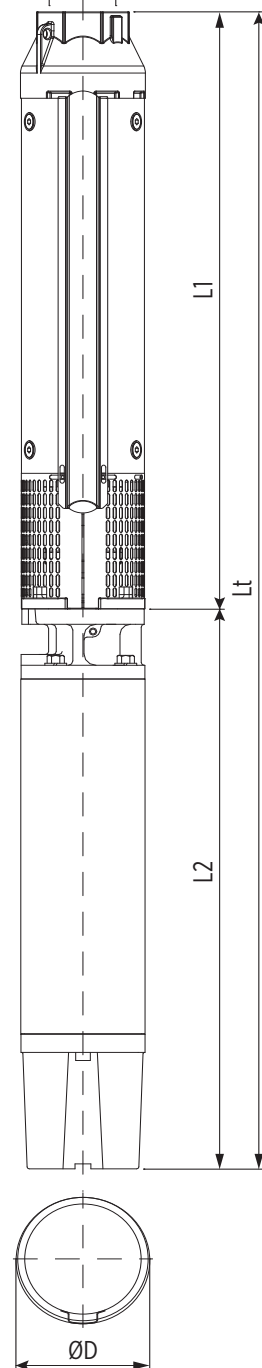
2	E6	4	5.5	591.5	581	1172.5	143	144.5	51
3		5.5	7.5	705.5	614.5	1320	143	144.5	57
4		7.5	10	819.5	646	1465.5	143	144.5	64
5		9.3	12.5	933.5	678.5	1612	143	144.5	69
6		11	15	1047	711	1758	143	144.5	75
7		15	20	1161	776	1937	143	144.5	83
8		15	20	1275	776	2051	143	144.5	86
9		15	20	1389	776	2165	143	144.5	88.5
10		18.5	25	1503	841.5	2344.5	143	144.5	98
11		18.5	25	1617	841.5	2458.5	143	144.5	100.5
12		22	30	1730.5	906.5	2637	143	144.5	109
13		22	30	1844.5	906.5	2751	143	144.5	112
14		30	40	1958.5	1036.5	2995	143	144.5	129
15		30	40	2072.5	1036.5	3109	143	144.5	131.5
16		30	40	2186	1036.5	3222.5	143	144.5	134
17		30	40	2300	1036.5	3336.5	143	144.5	137
18		37	50	2414	1421.5	3835.5	143	144.5	193.5
19		37	50	2527.5	1421.5	3949	143	144.5	196
20		37	50	2641.5	1421.5	4063	143	144.5	198.5
21		37	50	2755	1421.5	4176.5	143	144.5	201.5
22		45	60	2869	1574	4443	143	144.5	218
23		45	60	2983	1574	4557	143	144.5	220.5
24		45	60	3096.5	1574	4670.5	143	144.5	223
25		45	60	3210.5	1574	4784.5	143	144.5	225.5
26		45	60	3324	1574	4898	143	144.5	228.5

PUMPS WITH REWINDABLE MOTOR

Stages	Vers. R	Motor			Dimensions [mm]					Pump weight [Kg]
		Type	[kW]	[HP]	L1	L2	Lt	D		
								1 cable	2 cables	
2	●	RW6	4	5.5	591.5	699	1290.5	147	147.5	61.5
3	●		5.5	7.5	705.5	699	1404.5	147	147.5	64
4	●		7.5	10	819.5	719	1538.5	147	147.5	69
5	●		9.3	12.5	933.5	749	1682.5	147	147.5	74.5
6	●		11	15	1047	779	1826	147	147.5	80
7	●		13	17.5	1161	829	1990	147	147.5	87.5
8	●		15	20	1275	874	2149	147	147.5	95.5
9	●		15	20	1389	874	2263	147	147.5	98
10	●		18.5	25	1503	919	2422	147	147.5	104.5
11	●		18.5	25	1617	919	2536	147	147.5	107
12	●		22	30	1730.5	1009	2739.5	147	147.5	118.5
13	●		22	30	1844.5	1009	2853.5	147	147.5	121.5
14	●		26	35	1958.5	1114	3072.5	147	147.5	135
15	●		26	35	2072.5	1114	3186.5	147	147.5	137.5
16	●		30	40	2186	1214	3400	147	147.5	150
17	●		30	40	2300	1214	3514	147	147.5	153
18	●		37	50	2414	1294	3708	147	147.5	162.5
19	●		37	50	2527.5	1294	3821.5	147	147.5	165
20	●		37	50	2641.5	1294	3935.5	147	147.5	167.5
21	●		37	50	2755	1294	4049	147	147.5	170.5
22			RW8	45	60	2969	1230	4199	189	189
23		45		60	3083	1230	4313	189	189	227.5
24		45		60	3196.5	1230	4426.5	189	189	230
25		45		60	3310.5	1230	4540.5	189	189	232.5
26		45		60	3424	1230	4654	189	189	235

● = Pump available in R version (AISI 904L)

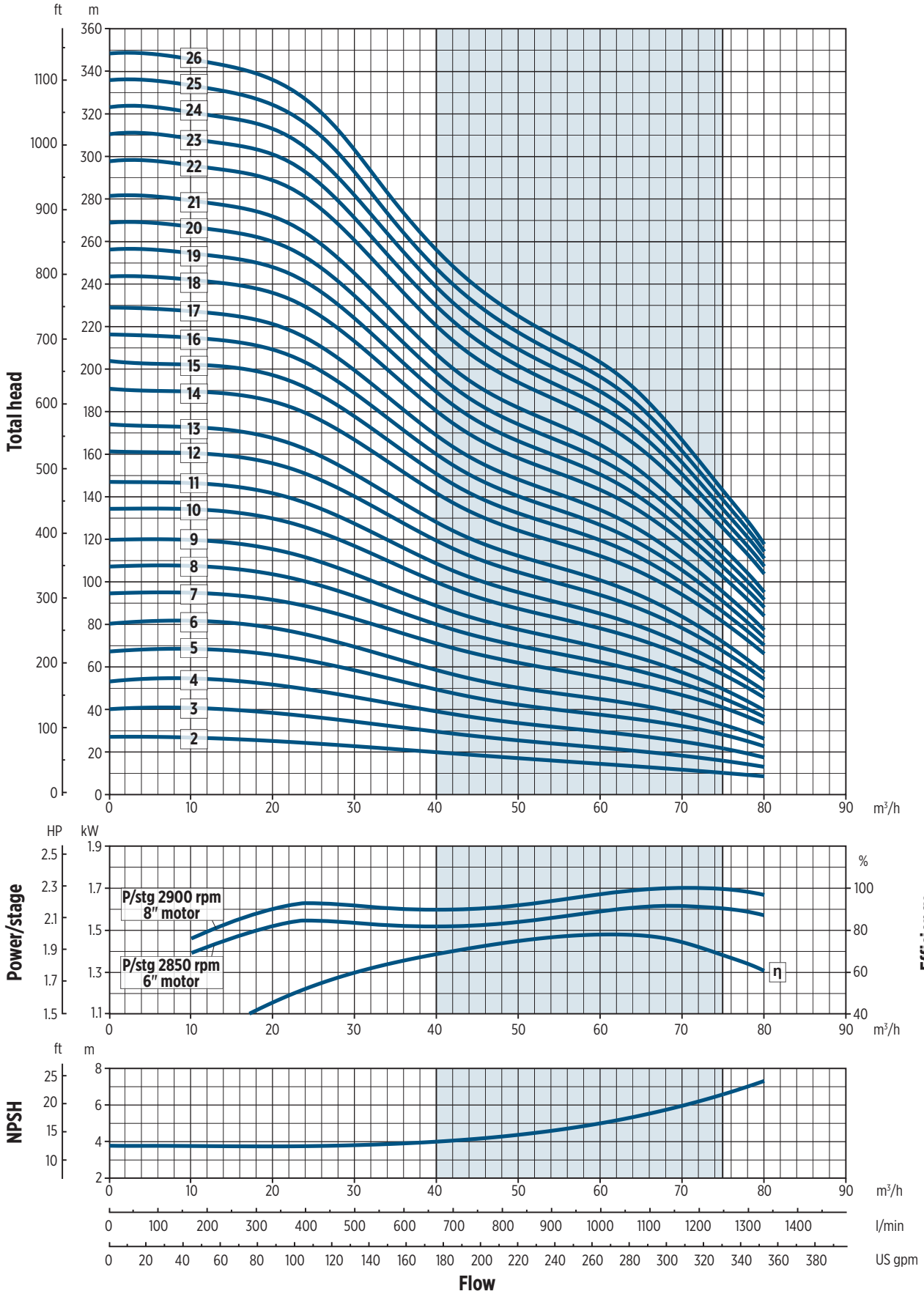
Rp 3" for I and N versions
Rp 4" for R version



0030040 01/2017

65 SR - PERFORMANCE CURVES AT 50 Hz

MEI ≥ 0,40



0012007ZEN 08/2017

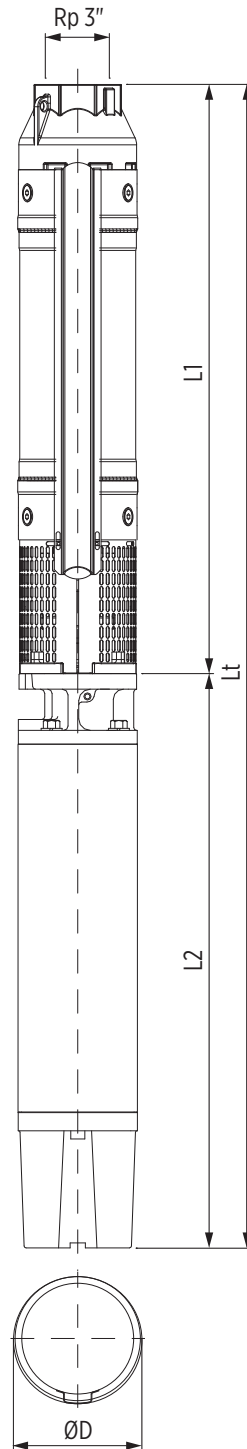
65 SR HIGH PRESSURE - TECHNICAL DATA AT 50 Hz

PUMPS WITH ENCAPSULATED MOTOR

Stages	Motor		Dimensions [mm]						Pump weight [Kg]
	Type	[kW]	[HP]	L1	L2	Lt	D		
							1 cable	2 cables	
27	E8	55	75	3538	1204	4742	190.5	190.5	261
28		55	75	3652	1204	4856	190.5	190.5	263.5
29		55	75	3765.5	1204	4969.5	190.5	190.5	266
30		55	75	3879.5	1204	5083.5	190.5	190.5	268.5
31		55	75	3993.5	1204	5197.5	190.5	190.5	271.5

PUMPS WITH REWINDABLE MOTOR

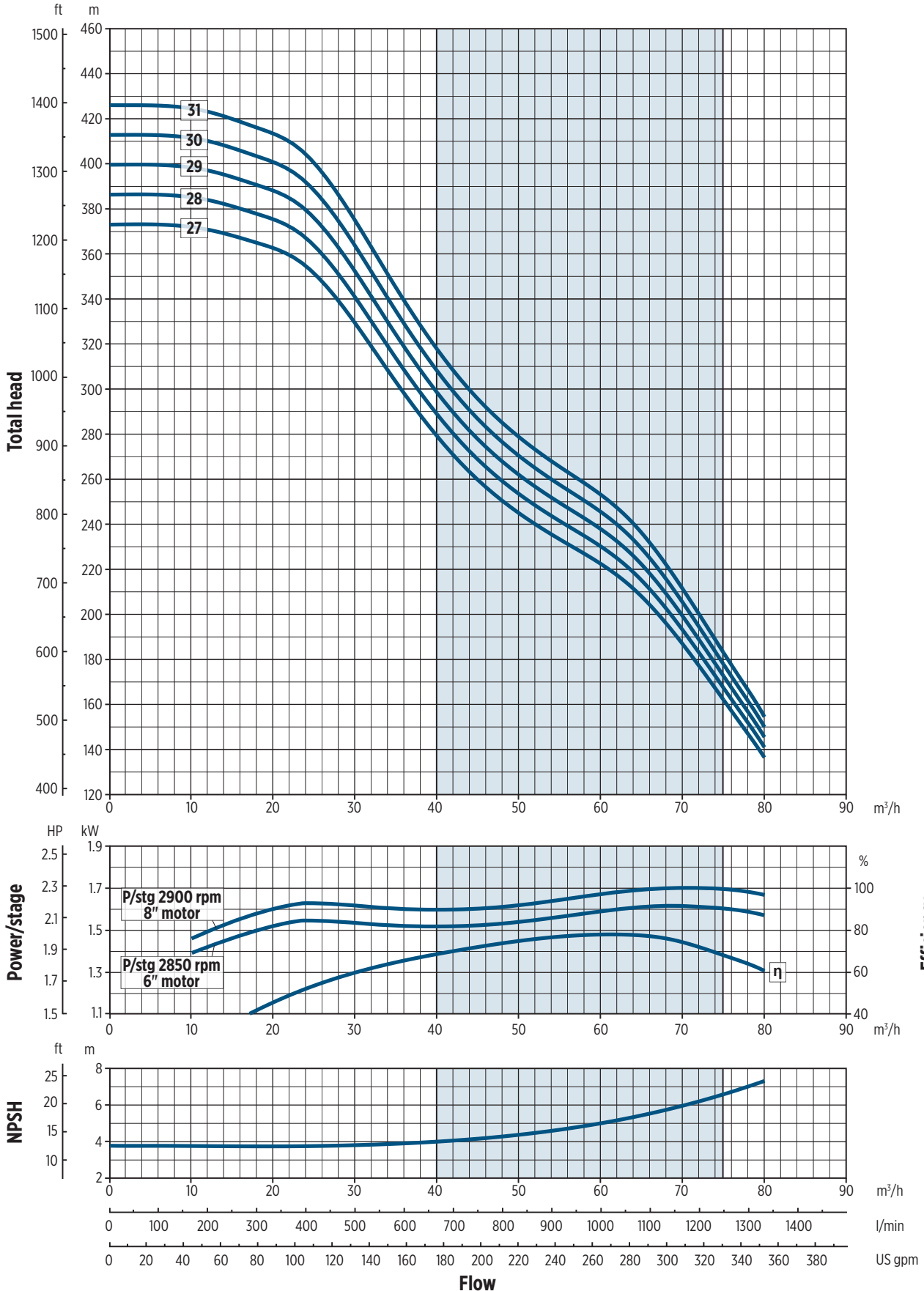
Stages	Motor		Dimensions [mm]						Pump weight [Kg]
	Type	[kW]	[HP]	L1	L2	Lt	D		
							1 cable	2 cables	
27	RW8	55	75	3538	1340	4878	189	189	265
28		55	75	3652	1340	4992	189	189	267.5
29		55	75	3765.5	1340	5105.5	189	189	270
30		55	75	3879.5	1340	5219.5	189	189	272.5
31		55	75	3993.5	1340	5333.5	189	189	275.5



00150039 01/2017

65 SR HIGH PRESSURE - PERFORMANCE CURVES AT 50 Hz

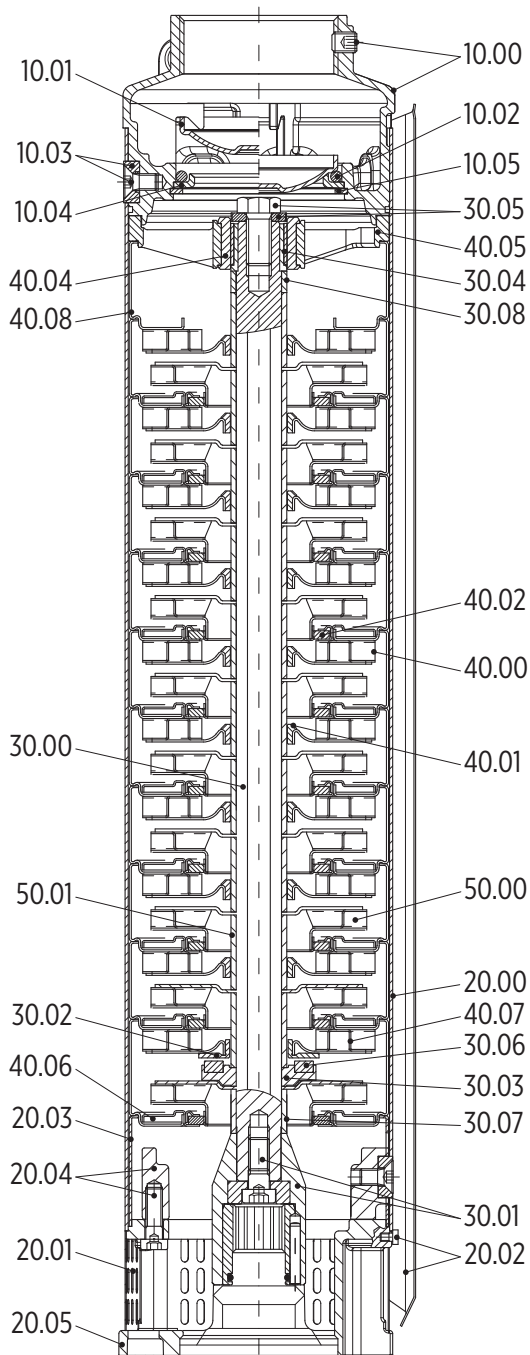
MEI ≥ 0,40



00120075EN 09/2017

SPARE PARTS

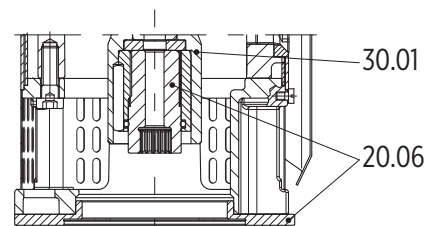
14 SR - 19 SR - 25* SR



0030041EN 08/2017

Ref. No.	Parts description
10.00	Discharge head
10.01	Valve
10.04	
10.05	
10.02	Sealing O-ring
10.03	Outer case locking nuts
20.00	Outer case
20.01	Suction strainer
20.02	Cable guard and screws
20.03	Initial spacer
20.04	Flange
	Screws
20.05	Motor adapter
20.06	4" motor flange
	4" coupling adapter
30.00	Pump shaft
30.01	Coupling
30.02	Upper up-thrust washer
30.03	Lower up-thrust washer
30.04	Upper journal sleeve
30.05	Screw and washer
30.06	Up-thrust ring
30.07	Lower / Upper spacer
30.08	
40.00	Diffuser
40.01	Secondary bearing bush
40.02	Floating neck ring
40.04	Bearing bush
40.05	Upper bearing guide
40.06	First diffuser
40.07	Diffuser with upper up-thrust washer
40.08	Last diffuser
50.00	Impeller
50.01	Impeller spacer

MOTOR ADAPTER 6x4

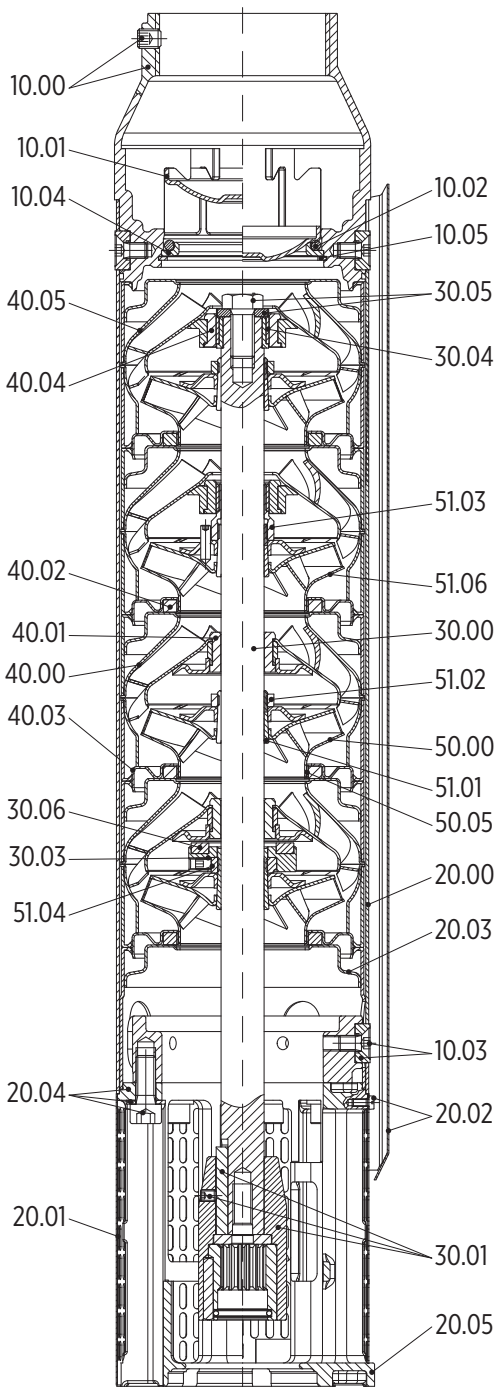


0030041EN 08/2017

* IMPORTANT: 25 SR models only for sales out of EU or as a component of fire-fighting units

SPARE PARTS

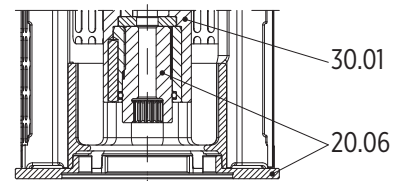
30 SR - 46 SR - 65 SR



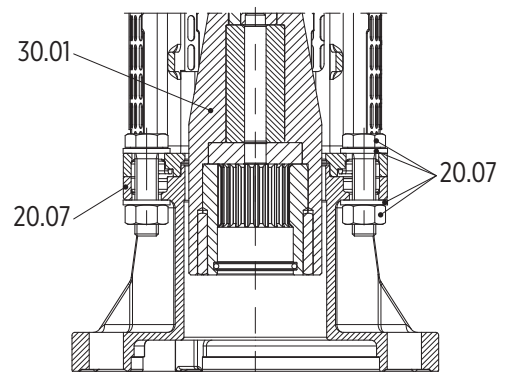
Ref. No.	Parts description
10.00	Discharge head
10.01	Valve
10.04	
10.05	
10.02	Sealing O-ring
10.03	Outer case locking nuts
20.00	Outer case
20.01	Suction strainer
20.02	Cable guard and screws
20.03	Initial spacer
20.04	Flange
	Screws
20.05	Motor adapter
20.06	4" motor flange
	4" coupling adapter
20.07	8" motor adapter
	Bolts and washers
30.00	Pump shaft

Ref. No.	Parts description
30.01	Coupling
30.03	Lower up-thrust washer
30.04	Upper journal sleeve
30.05	Screw and washer
30.06	Up-thrust ring
40.00	Diffuser
40.01	Secondary bearing bush
40.02	Floating neck ring
40.03	Flange clamping neck ring
40.04	Bearing bush
40.05	Last - Intermediate diffuser
50.00	Wear ring
50.05	Impeller
51.01	Split cone
51.02	Split cone nut
51.03	Intermediate cone nut
51.04	Up-thrust split cone nut
51.06	Intermediate impeller with screw

MOTOR ADAPTER 6x4



MOTOR ADAPTER 6x8



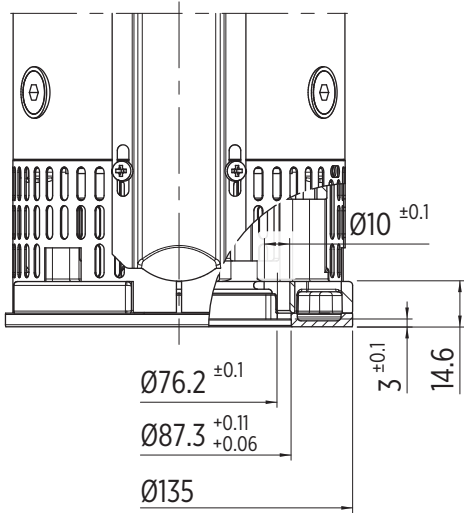
0030042EN 08/2017

0030042EN 08/2017

MOTOR ADAPTER AND DIMENSIONS

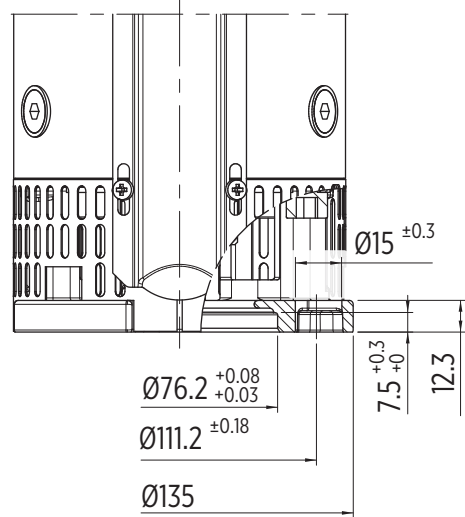
14 SR - 19 SR - 25* SR

4" MOTOR ADAPTER FOR I AND N VERSION



0030054EN 08/2017

6" MOTOR ADAPTER FOR I AND N VERSION



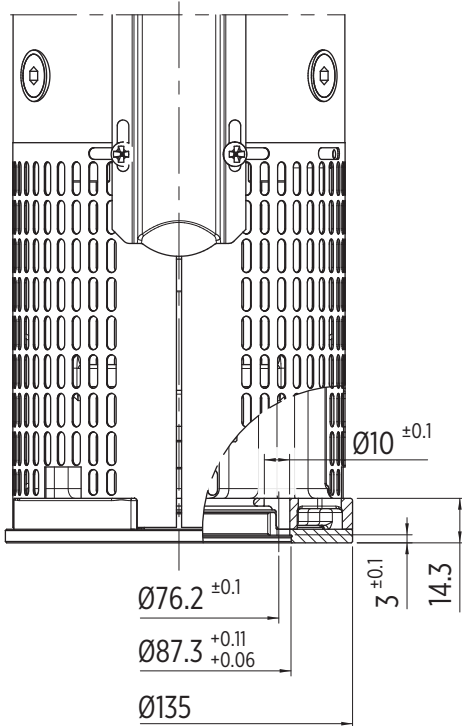
0030055EN 08/2017

* IMPORTANT: 25 SR models only for sales out of EU or as a component of fire-fighting units

MOTOR ADAPTER AND DIMENSIONS

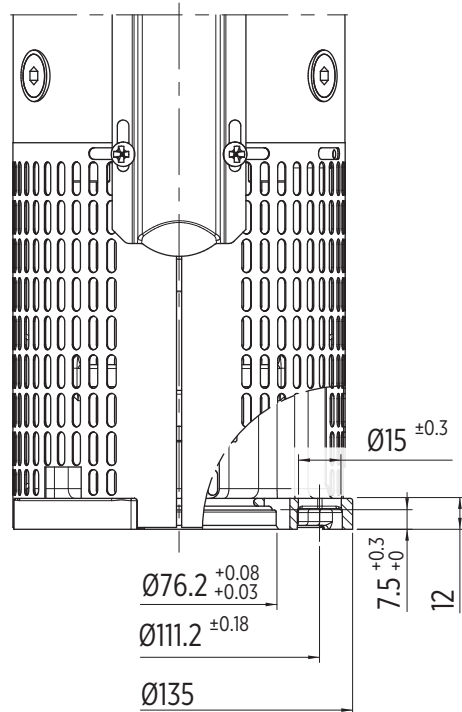
30 SR - 46 SR - 65 SR

4" MOTOR ADAPTER FOR I AND N VERSION



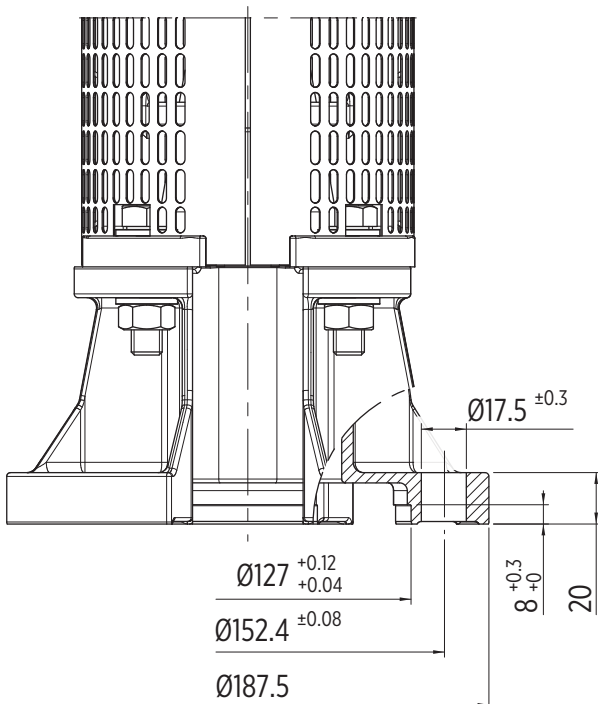
00130056EN 08/2017

6" MOTOR ADAPTER FOR I, N AND R VERSION

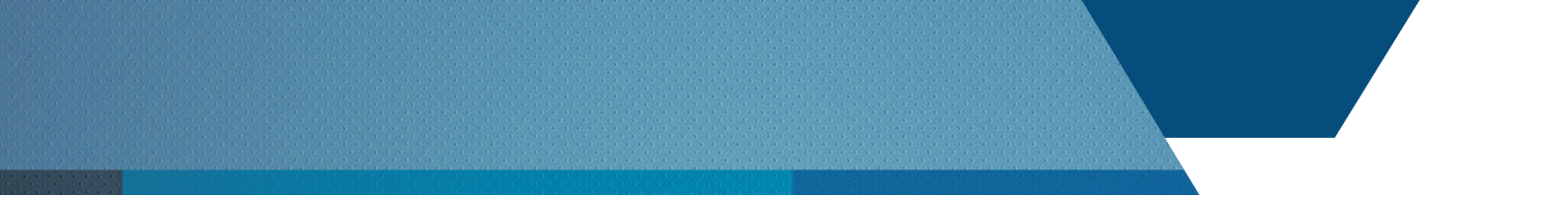


00130057EN 08/2017

8" MOTOR ADAPTER FOR I AND N VERSION



00130058EN 08/2017



SR 8" Series

50 Hz

78 SR - 97 SR

PRODUCT OVERVIEW

APPLICATIONS

- Municipal water works
- Water Distribution and Pressure Boosting
- Irrigation, Sprinklers, Water treatment plants, Filtration and reverse osmosis
- Industrial cooling and processing
- Mining industry, Drainage and dewatering
- Fire-fighting equipment
- Fountains

FEATURES

- Stainless steel components for durability and robustness, guaranteeing longevity and trouble-free operation. Many design technical features make this pump range very compact and extremely reliable, to ensure applications in the most complex and severe conditions.
- External stainless steel sleeve to improve stiffness and assure permanent alignment of all the components
- Motor adapter and discharge head may be removed without disturbing the impeller / diffuser stack
- Built-in check valve and over size pump shaft
- Easy maintenance without the need of special tools

PUMP SPECIFICATION

- Flow: up to 120 m³/h at 50 Hz
- Head: up to 500 m (50 Bar) at 50 Hz
- Water temperature range:
 - Minimum: -5 °C
 - Maximum: +90 °C (+60 °C for NBR parts)
- Maximum allowable amount of sand 100 g/m³
- Rotation: counter clockwise when looking into the discharge
- Pump can work continuously in vertical or horizontal position

MOTOR SPECIFICATION

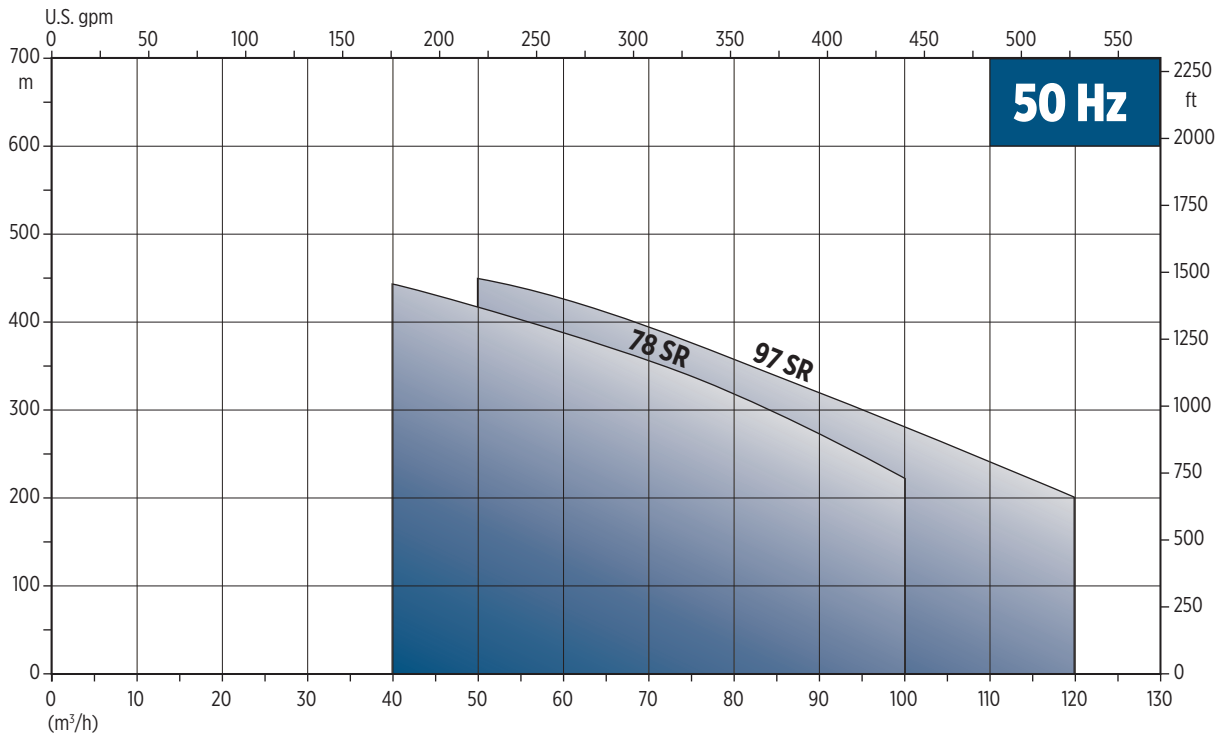
- Motor adapter in compliance with NEMA standard
- For more information consult the product catalog of Submersible motors

AVAILABLE ON REQUEST

- Pump material:
 - 316 Stainless steel (N) version (DIN/EN 1.4401)
 - 904L (R) version (DIN/EN 1.4539)
- See specified material variant in Materials/fluids compatibility table on page 50
- Double cable guard
- Discharge heads:
 - Rp 4" for I and N versions
 - Rp 6" for R version
- Pump with NBR rubber parts

PRODUCT OVERVIEW

FAMILY CURVES



00150027 03/2018

PUMP IDENTIFICATION CODE

78 SR 15 F 8 5 - 24 8 3 P HP:SD

- 78 SR 15 F 8 5 - 24 8 3 P HP:SD
- 78 SR: Pump model
- 15: Pump power: kWx10
- F: Material: F (AISI 304); S (AISI 316); R (AISI 904L)
- 8: Pump size: 8 (8")
- 5: Frequency: 50 (50 Hz); 60 (60 Hz)
- 24: Number of stages
- 8: Motor coupling dimension: 6 (6"); 8 (8")
- 3: Discharge head dimensions: 2 (2"½); 3 (3"); 4 (4"); 5 (5")
- P: Pump speciality: P (Passivated); HP (High pressure); SD (Double cable guard)
- HP:SD: Pump speciality: HP (High pressure); SD (Double cable guard)
- SD: Pump speciality: SD (Double cable guard)
- HP:SD: Pump speciality: HP (High pressure); SD (Double cable guard)

00150024 06/2021

PUMPS AND MOTORS RANGE

Type	Versions			Motor power range [kW]	
	F EN 1.4301	S EN 1.4401	R EN 1.4539	F / S	R
78 SR	•	•	○	7.5 ÷ 93	30 ÷ 93
97 SR	•	•	○	9.3 ÷ 110	30 ÷ 93

○ = Version available • = Version available only with 6" motor coupling

PRODUCT OVERVIEW

MATERIALS/FLUIDS COMPATIBILITY

Ref. No.	Parts description	Material	Standard					
			I Version		N Version		R Version	
			ASTM	DIN/EN	ASTM	DIN/EN	ASTM	DIN/EN
10.00	Discharge head	Stainless steel	CF8 (304)	14308	CF8M (316)	14408	CD4MCuN (904L)	14517
10.01	Valve	Stainless steel	316	14401	316	14401	2205/904L	1.4462/1.4460
10.02	Sealing O-ring	EPDM						
10.03	Outer case locking nuts	Stainless steel	316	14401	316	14401	2205	14462
10.04	Valve support	Stainless steel / PTFE	316	14401	316	14401	904L	14539
10.05	Seeger ring	Stainless steel	316	1.4401	316	1.4401	904L	1.4539
20.00	Outer case	Stainless steel	304	1.4301	316	1.4401	2205	1.4462
20.01	Suction strainer	Stainless steel	316	1.4401	316	1.4401	904L	1.4539
20.02	Cable guard and screws	Stainless steel	316	1.4401	316	1.4401	904L	1.4539
20.03	Initial spacer	Stainless steel	316	1.4401	316	1.4401	904L	1.4539
20.04	Flange	Stainless steel	CF8 (304)	1.4308	CF8M (316)	1.4408	CD4MCuN (904L)	1.4517
	Screws		304	1.4301	316	1.4401	904L	1.4539
20.05	Motor adapter	Stainless steel	CF8 (304)	1.4308	CF8M (316)	1.4408	CD4MCuN (904L)	1.4517
30.00	Pump shaft	Stainless steel	329	1.4460	329	1.4460	329	1.4460
30.01	Coupling	Stainless steel	431/329	1.4057/1.4460	316/329	1.4401/1.4460	2205/904L	1.4462/1.4539
30.02	Upper up-thrustwasher	Stainless steel	329	1.4460	329	1.4460	329	1.4460
30.03	Lower up-thrust washer	Stainless steel	329	1.4460	329	1.4460	329	1.4460
30.04	Upper journal sleeve ⁽¹⁾	Alluminum Oxide	Al2 O3 (99,7%)					
30.05	Screw and washer ⁽¹⁾	Stainless steel	316	1.4401	316	1.4401	904L/329	1.4539/1.4460
30.06	Up-thrust ring	PTFE + Graphite						
40.00	Diffuser	Stainless steel	304	1.4301	316	1.4401	904L	1.4539
40.01	Secondary bearing bush	EPDM						
40.02	Floating neck ring	PTFE						
40.03	Flange clamping neck ring	Stainless steel	316	1.4401	316	1.4401	904L	1.4539
50.00	Impeller	Stainless steel	316	1.4401	316	1.4401	904L	1.4539
51.01	Split cone	Stainless steel	316	1.4401	316	1.4401	329	1.4460
51.02	Split cone nut	Stainless steel	316	1.4401	316	1.4401	329	1.4460

1) only for types with more than 8 stages



HYDRAULIC PERFORMANCE AT 50 HZ

78 SR

Stages	Vers. R	RATED POWER		Q = DELIVERY								
				m ³ /h 0	30	40	50	60	70	80	90	100
		[kW]	[HP]	l/min 0	500	666	833	1000	1166	1333	1500	1666
H = TOTAL METERS HEAD OF WATER COLUMN [m]												
2	•	7.5	10	40	38	35	32	30	29	24	20	18
3	•	11	15	60	55	51	49	45	41	36	30	24
4	•	15	20	80	74	70	65	60	55	49	41	32
5	•	18.5	25	99	92	88	81	75	69	60	51	41
6	•	22	30	119	110	104	98	89	81	71	60	49
7	•	30	40	139	130	122	114	105	96	85	72	58
8	•	30	40	159	149	140	131	120	110	98	82	67
9	•	30	40	180	168	158	147	135	123	110	92	73
10	•	37	50	197	183	172	160	148	134	119	100	79
11	•	37	50	216	202	190	176	162	148	130	110	87
12	•	45	60	248	232	219	205	189	172	153	131	106
13	•	55	75	269	252	237	221	205	188	168	142	115
14	•	55	75	289	271	256	239	220	201	180	153	123
15	•	55	75	309	290	274	255	235	215	192	165	132
16	•	75	100	332	311	294	275	252	231	208	177	143
17	•	75	100	352	330	312	291	269	246	220	188	151
18	•	75	100	373	350	330	309	284	260	232	198	161
19	•	75	100	394	370	348	325	300	275	245	210	170
20	•	75	100	415	389	368	343	316	290	259	220	179
21	•	75	100	436	409	385	360	331	304	271	231	189
22	•	93	125	457	428	404	378	347	320	284	243	198
23	•	93	125	478	446	421	394	362	332	297	254	207
24	•	93	125	498	467	440	411	379	348	310	265	216

• = Pump available in R version (AISI 904L)

97 SR

Stages	Vers. R	RATED POWER		Q = DELIVERY										
				m ³ /h 0	30	40	50	60	70	80	90	100	110	120
		[kW]	[HP]	l/min 0	500	666	833	1000	1166	1333	1500	1666	1833	2000
H = TOTAL METERS HEAD OF WATER COLUMN [m]														
2	•	9.3	12.5	42	41	39	36	32	30	29	26	22	19	15
3	•	15	20	63	60	58	53	49	45	42	39	33	29	21
4	•	18.5	25	84	81	77	71	65	60	57	51	45	38	30
5	•	22	30	104	101	95	88	80	74	69.5	62	55	46	37
6	•	30	40	127	122	115	107	98	90	84	77	68	57	46
7	•	30	40	148	143	135	123	115	106	99	90	79	68	52
8	•	37	50	168	160	151	140	130	120	110	100	88.5	74	59
9	•	37	50	188	180	170	158	147	133	124	113	99	83	66
10	•	45	60	219	211	200	185	172	159	148	137	120	103	82
11	•	55	75	241	232	220	204	189	175	162	149	132	113	91
12	•	55	75	262	253	240	221	207	191	178	162	143	123	99
13	•	55	75	284	275	260	241	223	207	191	177	155	132	108
14	•	75	100	309	297	282	261	242	226	209	191	169	145	121
15	•	75	100	330	319	303	280	260	240	222	205	181	155	130
16	•	75	100	352	340	322	299	279	258	238	220	194	165	139
17	•	75	100	373	361	342	319	294	272	252	232	207	176	147
18	•	93	125	398	382	363	337	313	289	268	247	219	188	155
19	•	93	125	419	403	382	354	330	305	282	260	230	197	164
20	•	93	125	440	423	404	372	347	320	298	273	241	208	171
21	•	93	125	462	445	422	391	363	337	312	289	255	219	171
22		110	150	484	466	442	410	381	353	328	301	267	229	190
23		110	150	507	487	463	430	399	370	341	315	279	239	199

• = Pump available in R version (AISI 904L)

78 SR - TECHNICAL DATA AT 50 Hz

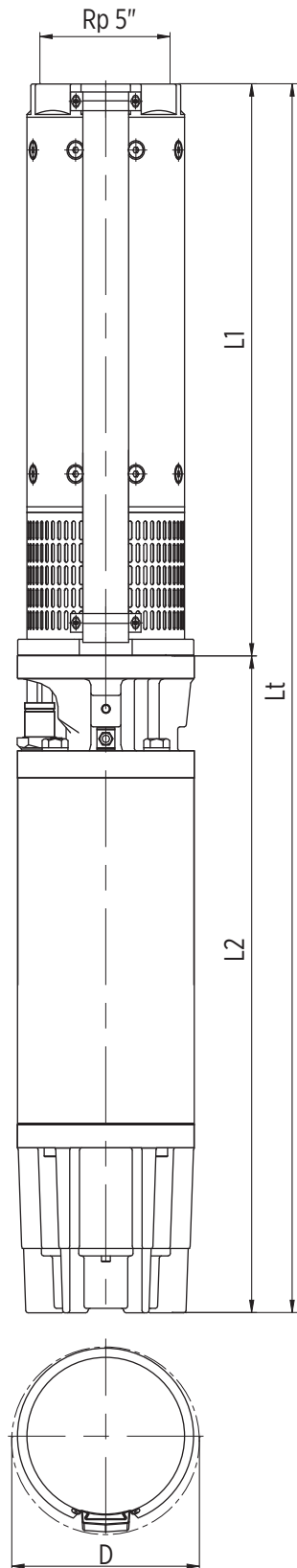
PUMPS WITH ENCAPSULATED MOTOR

Stages	Motor			Dimensions [mm]					Pump weight [Kg]
	Type	[kW]	[HP]	L1	L2	Lt	D		
							1 cable	2 cables	
2	E6	7.5	10	644	646	1290	188	194	77
3		11	15	770	711	1481	188	194	87
4		15	20	896	776	1672	188	194	57
5		18.5	25	1022	841.5	1863.5	188	194	109
6		22	30	1148	906.5	2054.5	188	194	120
7		30	40	1274	1036.5	2310.5	188	194	140
8		30	40	1400	1036.5	2436.5	188	194	145
9		30	40	1526	1036.5	2562.5	188	194	150
10		37	50	1652	1405	3057	188	194	206
11		37	50	1778	1405	3183	188	194	211
12		E8	45	60	1909	1077	2986	200	202
13	55		75	2035	1394	3429	200	202	259
14	55		75	2161	1394	3555	200	202	294
15	55		75	2287	1394	3681	200	202	299
16	75		100	2413	1496	3909	200	202	342
17	75		100	2539	1496	4035	200	202	347
18	75		100	2665	1496	4161	200	202	352
19	75		100	2791	1496	4287	200	202	357
20	75		100	2917	1496	4413	200	202	361
21	75		100	3043	1496	4539	200	202	366
22	93		125	3169	1748	4917	200	202	449
23	93		125	3295	1748	5043	200	202	454
24	93		125	3421	1748	5169	200	202	459

PUMPS WITH REWINDABLE MOTOR

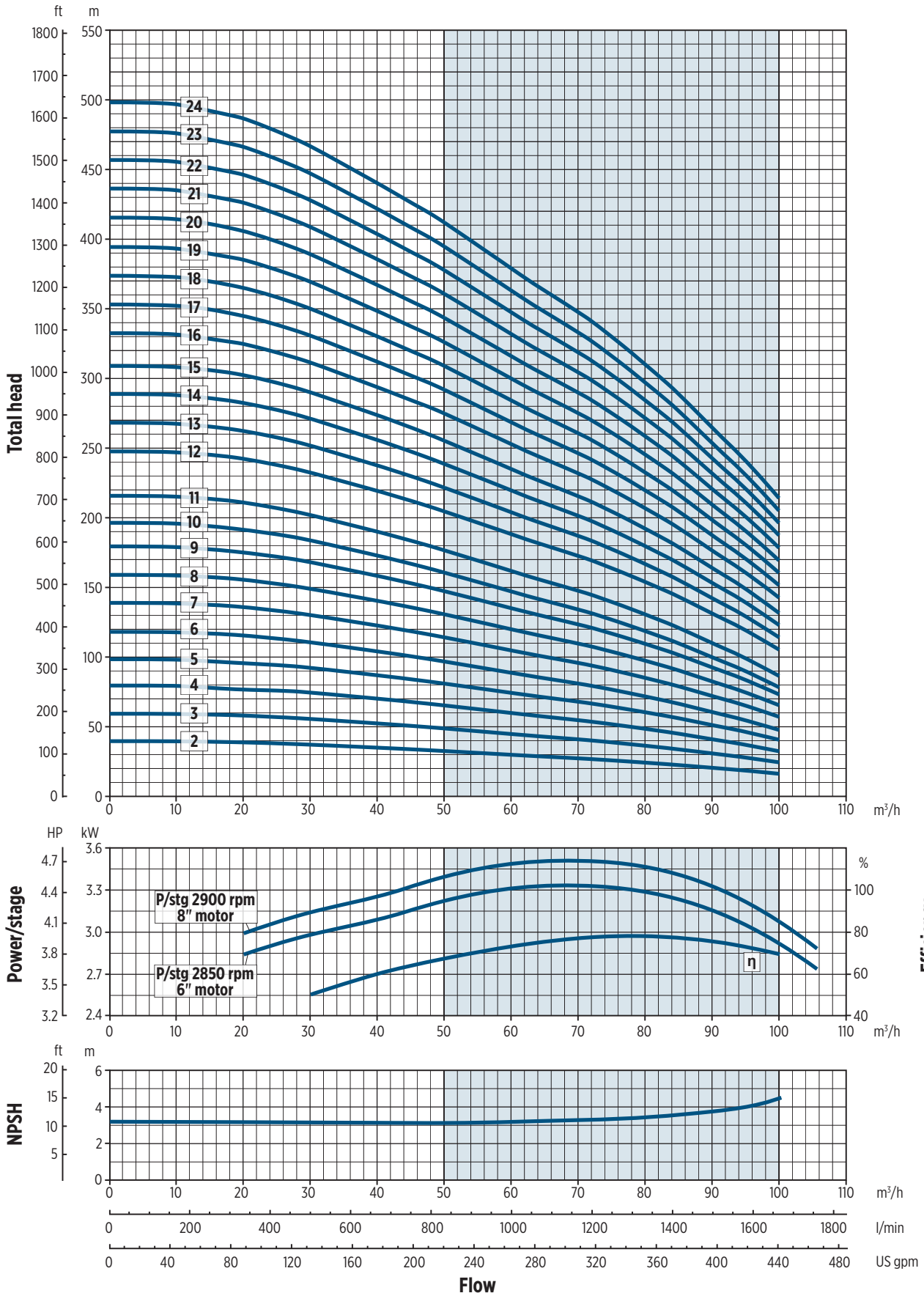
Stages	Vers. R	Motor			Dimensions [mm]					Pump weight [Kg]
		Type	[kW]	[HP]	L1	L2	Lt	D		
								1 cable	2 cables	
2	•	RW6	7.5	10	644	719	1363	188	194	82
3	•		11	15	770	779	1549	188	194	92
4	•		15	20	896	874	1770	188	194	96
5	•		18.5	25	1022	919	1941	188	194	116
5	•	RW8	30	40	1022	1140	2162	197	199.5	190
6	•		22	30	1148	1009	2157	188	194	130
6	•	RW8	30	40	1148	1140	2288	197	199.5	193
7	•		26	35	1274	1114	2388	188	194	146
7	•	RW8	30	40	1274	1140	2288	197	199.5	198
8	•		30	40	1400	1214	2614	188	194	161
8	•	RW8	30	40	1400	1140	2540	197	199.5	203
9	•		30	40	1526	1214	2740	188	194	166
9	•	RW8	30	40	1526	1140	2666	197	199.5	208
10	•		37	50	1652	1294	2946	188	194	178
10	•	RW8	37	50	1652	1140	2792	197	199.5	213
11	•		37	50	1778	1294	3072	188	194	183
11	•	RW8	37	50	1778	1140	2918	197	199.5	218
12	•		45	60	1909	1230	3139	197	199.5	238
13	•		52	70	2035	1340	3375	197	199.5	266
14	•		52	70	2161	1340	3501	197	199.5	271
15	•		55	75	2287	1340	3627	197	199.5	276
16	•		60	80	2413	1470	3883	197	199.5	300
17	•		67	90	2539	1470	4009	197	199.5	305
18	•		67	90	2665	1470	4135	197	199.5	310
19	•		75	90	2791	1560	4351	197	199.5	332
20	•		75	100	2917	1560	4477	197	199.5	336
21	•		75	100	3043	1560	4603	197	199.5	341
22	•		83	110	3169	1560	4729	197	199.5	378
23	•		83	110	3295	1560	4855	197	199.5	383
24	•		93	125	3421	1740	5161	197	199.5	388

• = Pump available in R version (AISI 904L)



00130060 09/2017

78 SR - PERFORMANCE CURVES AT 50 Hz



00120078EN 09/2017

97 SR - TECHNICAL DATA AT 50 Hz

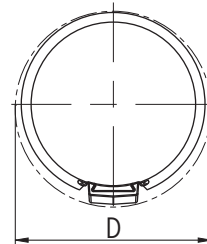
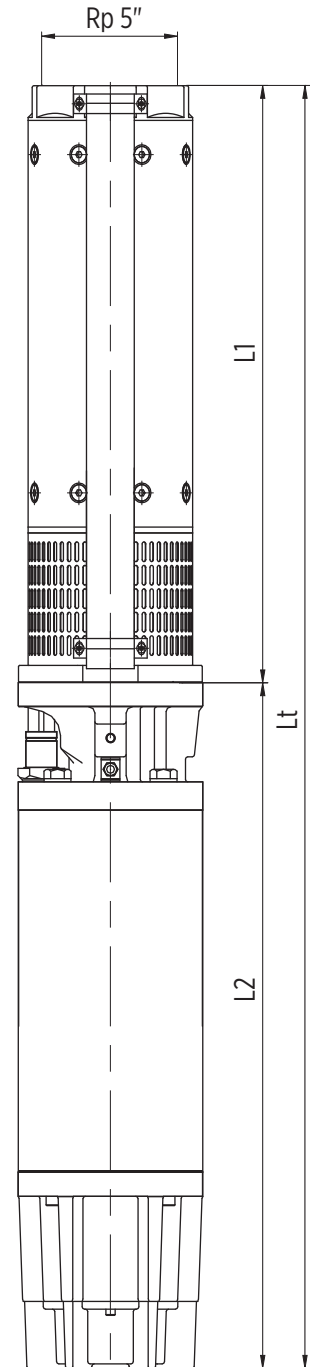
PUMPS WITH ENCAPSULATED MOTOR

Stages	Motor			Dimensions [mm]					Pump weight [Kg]
	Type	[kW]	[HP]	L1	L2	Lt	D		
							1 cable	2 cables	
2	E6	9.3	12.5	644	678.5	1322.5	188	194	79
3		15	20	770	776	1546	188	194	93
4		18.5	25	896	841.5	1737.5	188	194	105
5		22	30	1022	906.5	1928.5	188	194	115.5
6		30	40	1148	1036.5	2184.5	188	194	135
7		30	40	1274	1036.5	2310.5	188	194	140
8		37	50	1400	1405	2805	188	194	196
9		37	50	1526	1405	2931	188	194	201
10		E8	45	60	1657	1077	2734	200	202
11	55		75	1783	1394	3177	200	202	279
12	55		75	1909	1394	3303	200	202	284
13	55		75	2035	1394	3429	200	202	289
14	75		100	2161	1496	3657	200	202	332
15	75		100	2287	1496	3783	200	202	337
16	75		100	2413	1496	3909	200	202	342
17	75		100	2539	1496	4035	200	202	346.5
18	93		125	2665	1748	4413	200	202	429.5
19	93		125	2791	1748	4539	200	202	434.5
20	93		125	2917	1748	4665	200	202	439
21	93		125	3043	1748	4791	200	202	444
22	110		150	3169	1976	5145	200	202	512
23	110		150	3295	1976	5271	200	202	517

PUMPS WITH REWINDABLE MOTOR

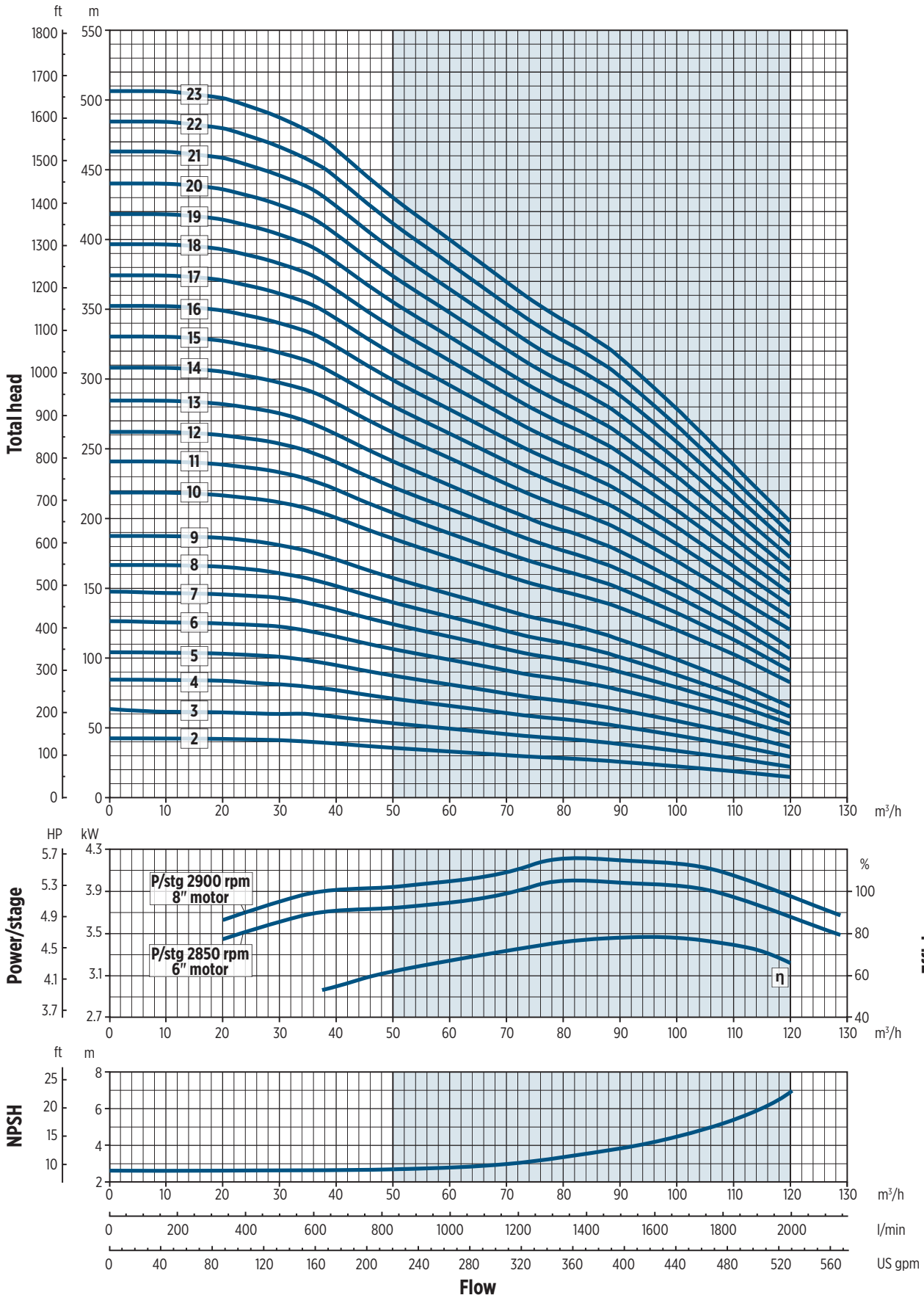
Stages	Vers. R	Motor			Dimensions [mm]					Pump weight [Kg]
		Type	[kW]	[HP]	L1	L2	Lt	D		
								1 cable	2 cables	
2	•	RW6	9.3	12.5	644	749	1393	188	194	84.5
3	•		13	17.5	770	829	1599	188	194	97.5
4	•		18.5	25	896	919	1815	188	194	111.5
5	•		22	30	1022	1009	2031	188	194	125
5	•	RW8	30	40	1022	1140	2162	197	199.5	188
6	•		RW6	26	35	1148	1114	2262	188	194
6	•	RW8	30	40	1148	1140	2288	197	199.5	193
7	•	RW6	30	40	1274	1214	2488	188	194	156
7	•		RW8	30	40	1274	1140	2414	197	199.5
8	•	RW6	37	50	1400	1294	2694	188	194	168
8	•		RW8	37	50	1400	1140	2540	197	199.5
9	•	RW6	37	50	1526	1294	2820	188	194	173
9	•		37	50	1526	1140	2666	197	199.5	208
10	•	RW8	45	70	1657	1230	2887	197	199.5	228
11	•		52	70	1783	1340	3123	197	199.5	256
12	•		52	75	1909	1340	3249	197	199.5	261
13	•		55	90	2035	1340	3375	197	199.5	266
14	•		67	90	2161	1470	3631	197	199.5	290
15	•		67	90	2287	1470	3757	197	199.5	295
16	•		75	100	2413	1560	3973	197	199.5	317
17	•		75	100	2539	1560	4099	197	199.5	321.5
18	•		83	110	2665	1560	4225	197	199.5	358.5
19	•		83	110	2791	1560	4351	197	199.5	363.5
20	•		93	125	2917	1740	4657	197	199.5	368
21	•		93	125	3043	1740	4783	197	199.5	373

• = Pump available in R version (AISI 904L)



0030060 09/2017

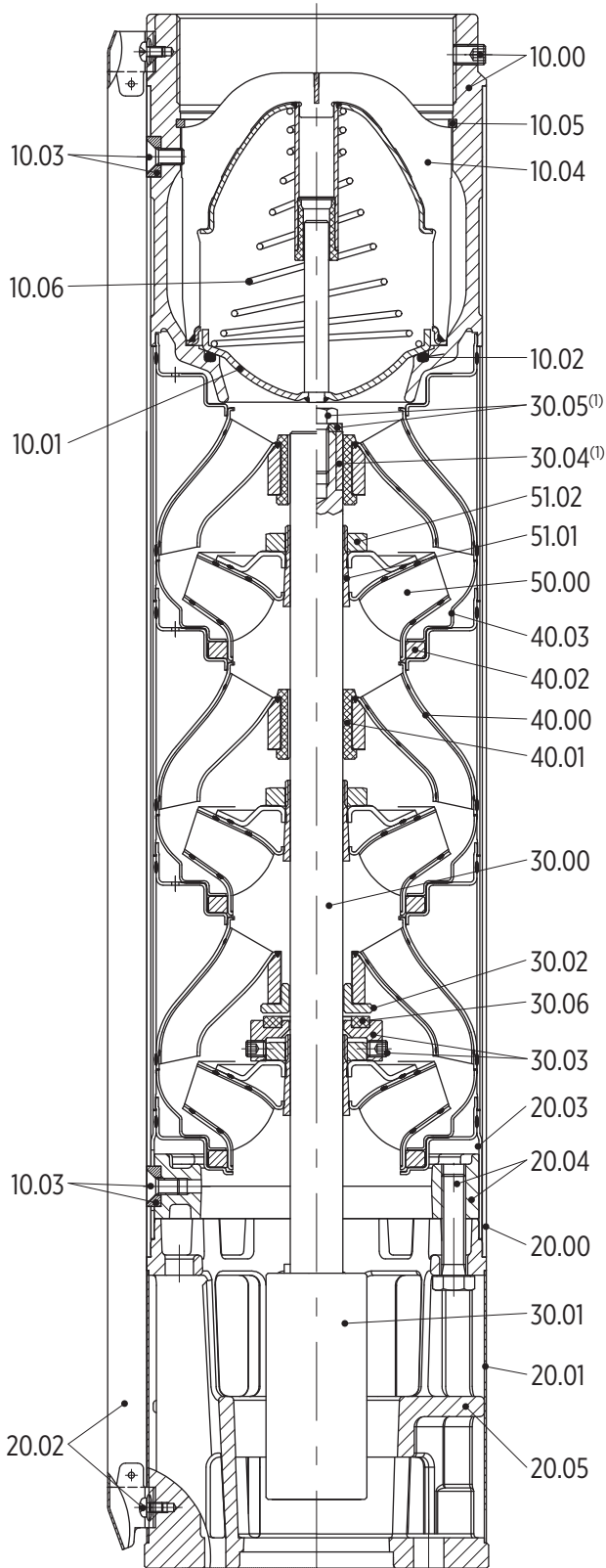
97 SR - PERFORMANCE CURVES AT 50 Hz



00120109EN 09/2017

SPARE PARTS

78 SR - 97 SR



Ref. No.	Parts description
10.00	Discharge head
10.01	Valve
10.02	Sealing O-ring
10.03	Outer case locking nuts
10.04	Valve support
10.05	Seeger ring
20.00	Outer case
20.01	Suction strainer
20.02	Cable guard and screws
20.03	Initial spacer
20.04	Flange
	Screws
20.05	Motor adapter
30.00	Pump shaft
30.01	Coupling
30.02	Upper up-thrustwasher
30.03	Lower up-thrust washer
30.04	Upper journal sleeve (1)
30.05	Screw and washer (1)
30.06	Up-thrust ring
40.00	Diffuser
40.01	Secondary bearing bush
40.02	Floating neck ring
40.03	Flange clamping neck ring
50.00	Impeller
51.01	Split cone
51.02	Split cone nut

1) only for types with more than 8 stages

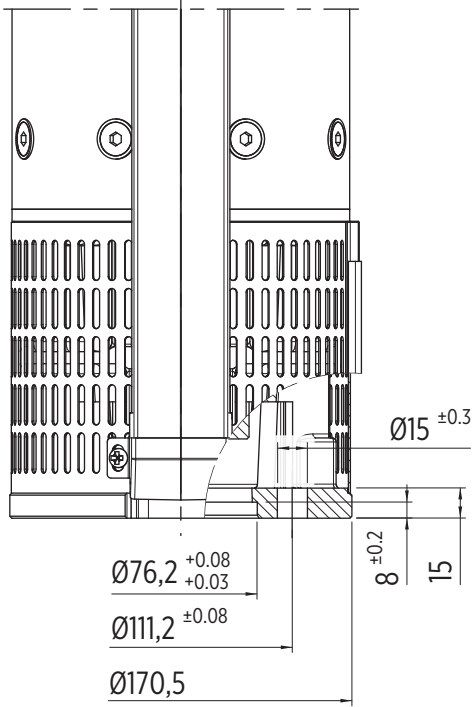
00130061 09/2017



MOTOR ADAPTER AND DIMENSIONS

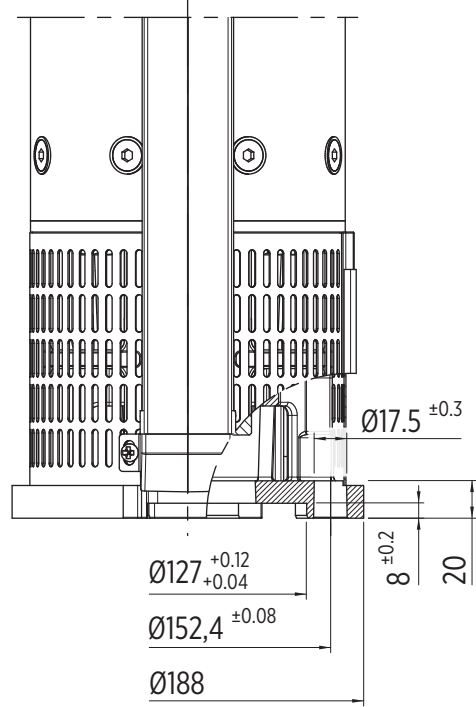
78 SR - 97 SR

4" MOTOR ADAPTER FOR I AND N VERSION



001306GZEN 09/2017

6" MOTOR ADAPTER FOR I, N AND R VERSION

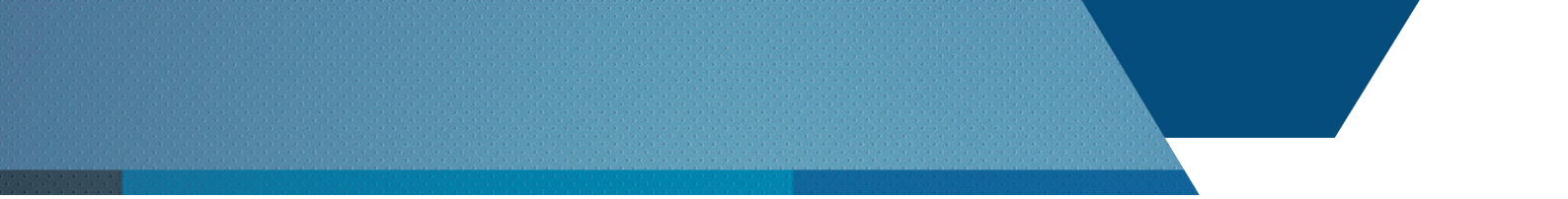


001306GZEN 09/2017

CATALOG REVISION CHANGES NOTICE

Rev. No.	Changes	Page
01	Deleted section "Motor and Accessories"	60 - 82 (REV. 00)
02	Added notes for 4" motor adapter	4, 48
	Updated general descriptions	4, 5, 6, 48
	Updated "Pump identification code"	5, 49
	Updated "Material/fluids compatibility" tables	6, 50
	Updated "Spare parts" list (SR 6")	42, 43
	Added 25 SR model	9, 24, 42, 44







Franklin Electric

Franklin Electric Europa GmbH
Rudolf-Diesel-Str. 20 - 54516 Wittlich
GERMANY
Phone: +49 (0) 6571 - 105-0
Fax: +49 (0) 6571 - 105-510
Email: info@franklin-electric.de

Franklin Electric S.r.l.
Via Asolo, 7 - 36031 Dueville (Vicenza)
ITALY
Phone: +39 0444 361114
Fax: +39 0444 365247
Email: sales.it@fele.com



00105011 EN REV.02_12-2023



franklinwater.eu

Single member - Company subject to the control and coordination of Franklin Electric Co., Inc.
Franklin Electric S.r.l. reserves the right to amend specification without prior notice.