

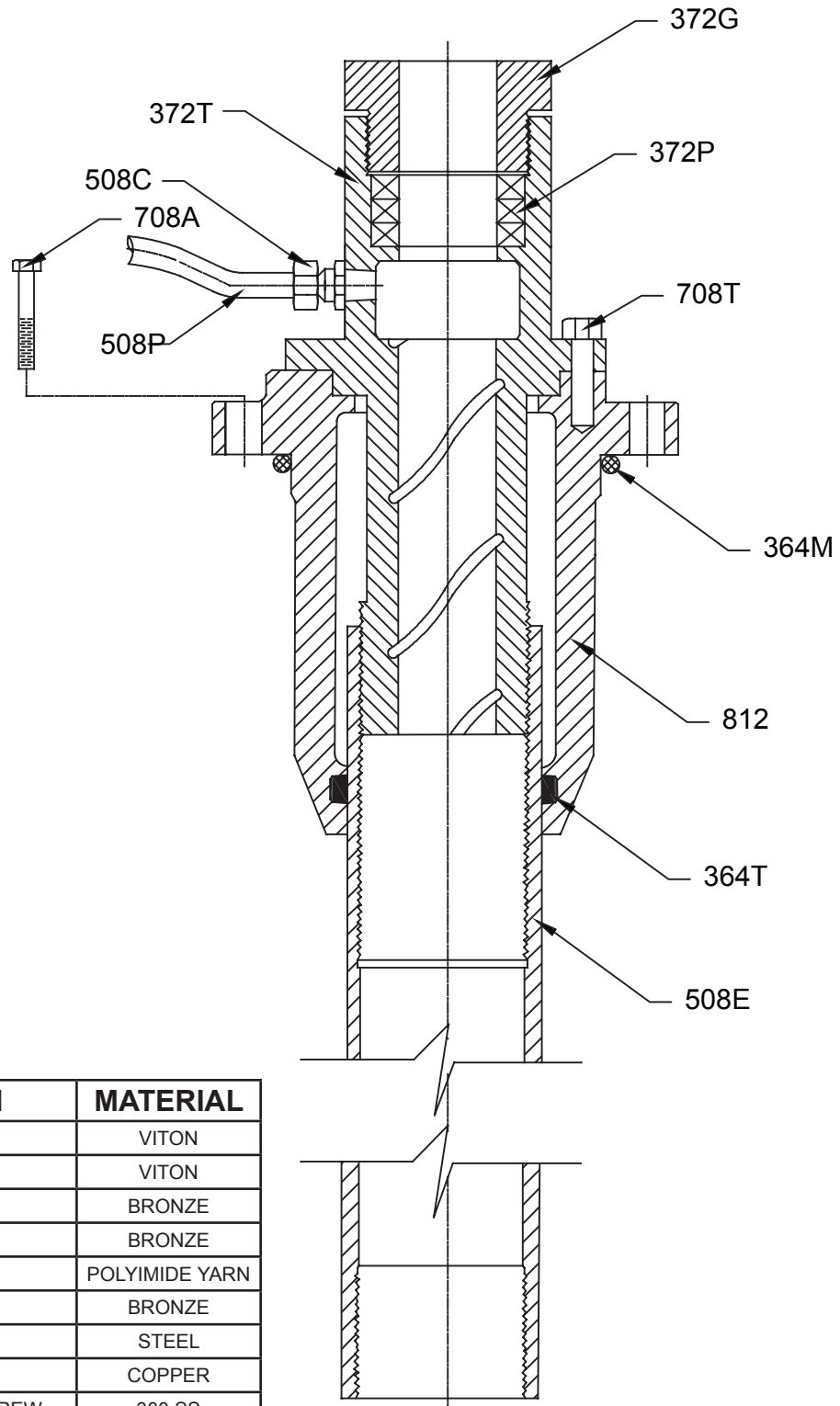
ITEM	DESCRIPTION	MATERIAL
364M	TENSION HOUSING O-RING	VITON
364T	TENSION TUBE O-RING	VITON
372T	TENSION BEARING	BRONZE
508C	COMPRESSION FITTING	BRONZE
508E	ENCLOSING TUBE	STEEL
508P	FLUSH LINE	COPPER
708A	TENSION HOUSING CAPSCREW	300 SS
708T	TENSION BEARING CAPSCREW	300 SS
812	TENSION BEARING HOUSING	CAST IRON

REFER TO FACTORY FOR OPTIONAL METALLURGY AND LEAD-TIMES
 ALL PRICES ARE F.O.B ROSSVILLE, TN AND SUBJECT TO CHANGE
 WITHOUT NOTICE

ENGINEERING DATA TENSION TUBE ASSEMBLY (FORCED WATER FLUSH LUBRICATION)

01/01/2019

REVISION 1



ITEM	DESCRIPTION	MATERIAL
364M	TENSION HOUSING O-RING	VITON
364T	TENSION TUBE O-RING	VITON
372T	TENSION BEARING	BRONZE
372G	TENSION GLAND	BRONZE
372P	PACKING	POLYIMIDE YARN
508C	COMPRESSION FITTING	BRONZE
508E	ENCLOSING TUBE	STEEL
508P	FLUSH LINE	COPPER
708A	TENSION HOUSING CAPSCREW	300 SS
708T	TENSION BEARING CAPSCREW	300 SS
812	TENSION BEARING HOUSING	CAST IRON

REFER TO FACTORY FOR OPTIONAL METALLURGY AND LEAD-TIMES
ALL PRICES ARE F.O.B ROSSVILLE, TN AND SUBJECT TO CHANGE
WITHOUT NOTICE