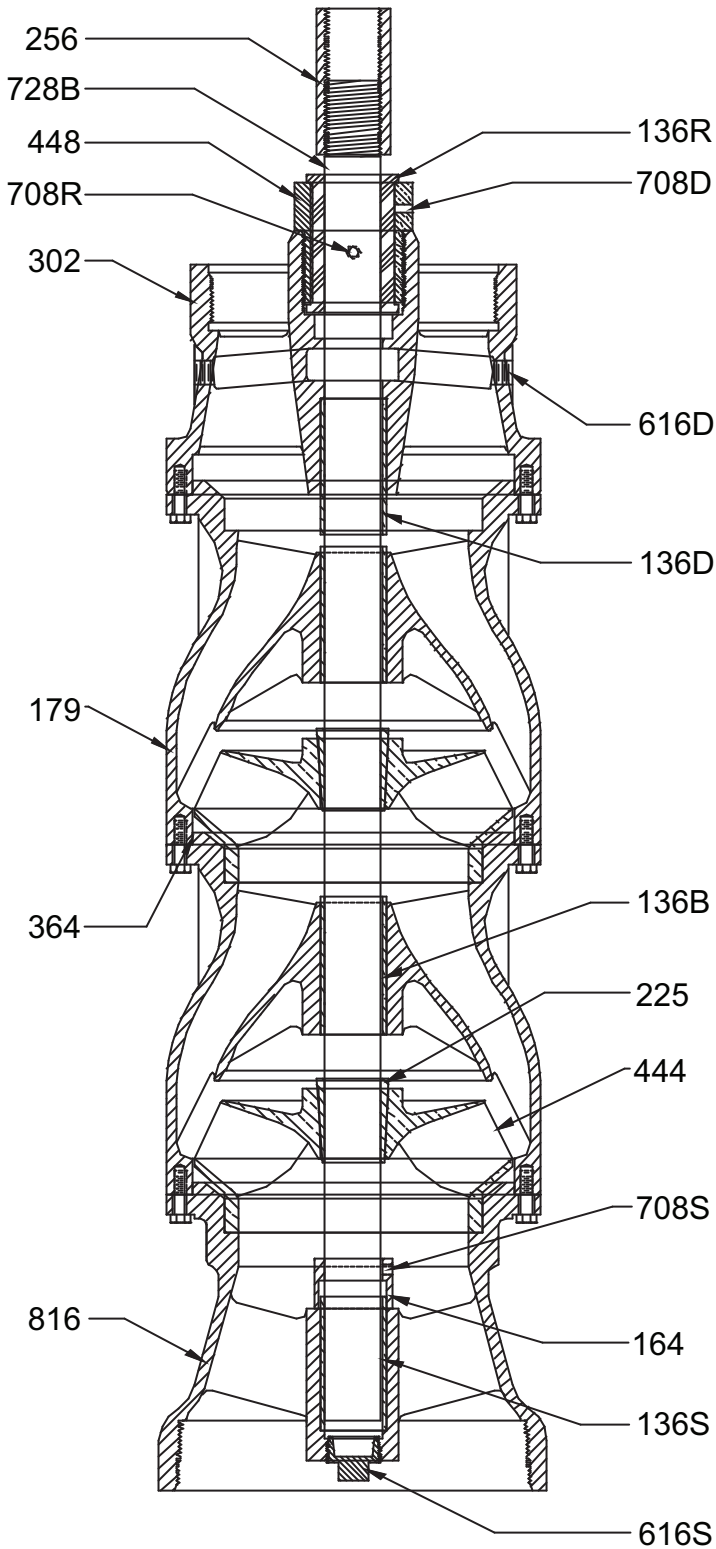


ENGINEERING DATA OPEN LINESHAFT BOWL DETAIL

01/01/2019

REVISION 1



ITEM	DESCRIPTION	MATERIAL
164	SAND COLLAR	BRONZE
136B	BOWL BEARING	BRONZE
136D	DISCHARGE CASE BEARING	BRONZE
136S	SUCTION CASE BEARING	BRONZE
136R	RETAINER BEARING	RUBBER
179	BOWL	CAST IRON
225	IMPELLER COLLET	CARBON STEEL
256	LINESHAFT COUPLING	CARBON STEEL
302	DISCHARGE CASE	DUCTILE IRON
364	BOWL O-RING	VITON
444	IMPELLER	304 SS
448	DISCHARGE CASE BEARING	BRONZE
616D	DISCHARGE CASE PLUG	CARBON STEEL
616S	SUCTION CASE PLUG	CARBON STEEL
708D	RETAINER BEARING SETSCREW	300 SS
708R	DISCHARGE CASE SET SCREW	300 SS
708S	SAND COLLAR SETSCREW	300 SS
728B	BOWL SHAFT	416 SS
816	SUCTION CASE	CAST IRON

REFER TO FACTORY FOR OPTIONAL METALLURGY AND LEAD-TIMES
ALL PRICES ARE F.O.B ROSSVILLE, TN AND SUBJECT TO CHANGE
WITHOUT NOTICE