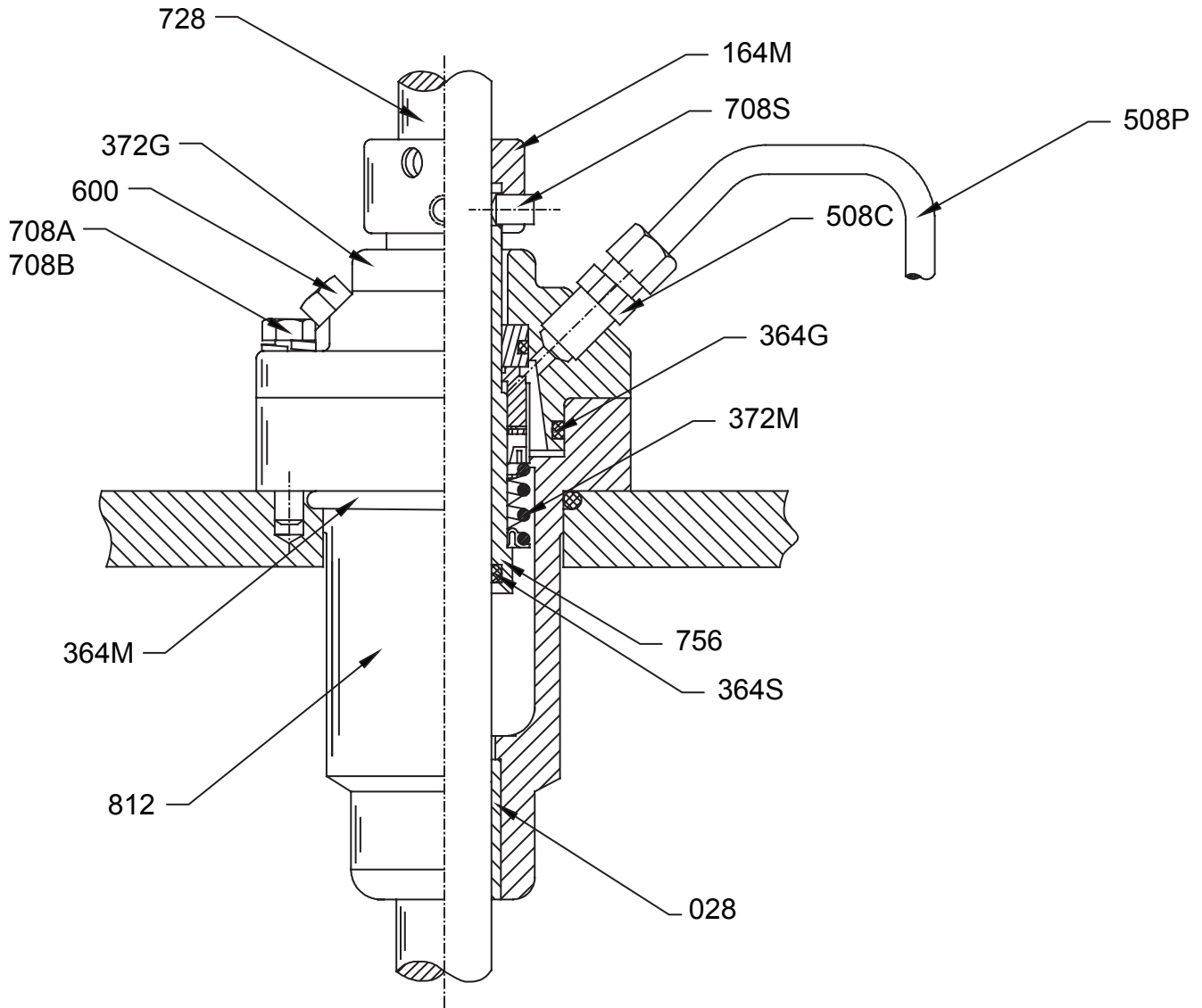


# CPS PUMPS

## ENGINEERING DATA MECHANICAL SEAL HOUSING (ASSEMBLED BALANCED & UN-BALANCED)

01/01/2019

REVISION 1



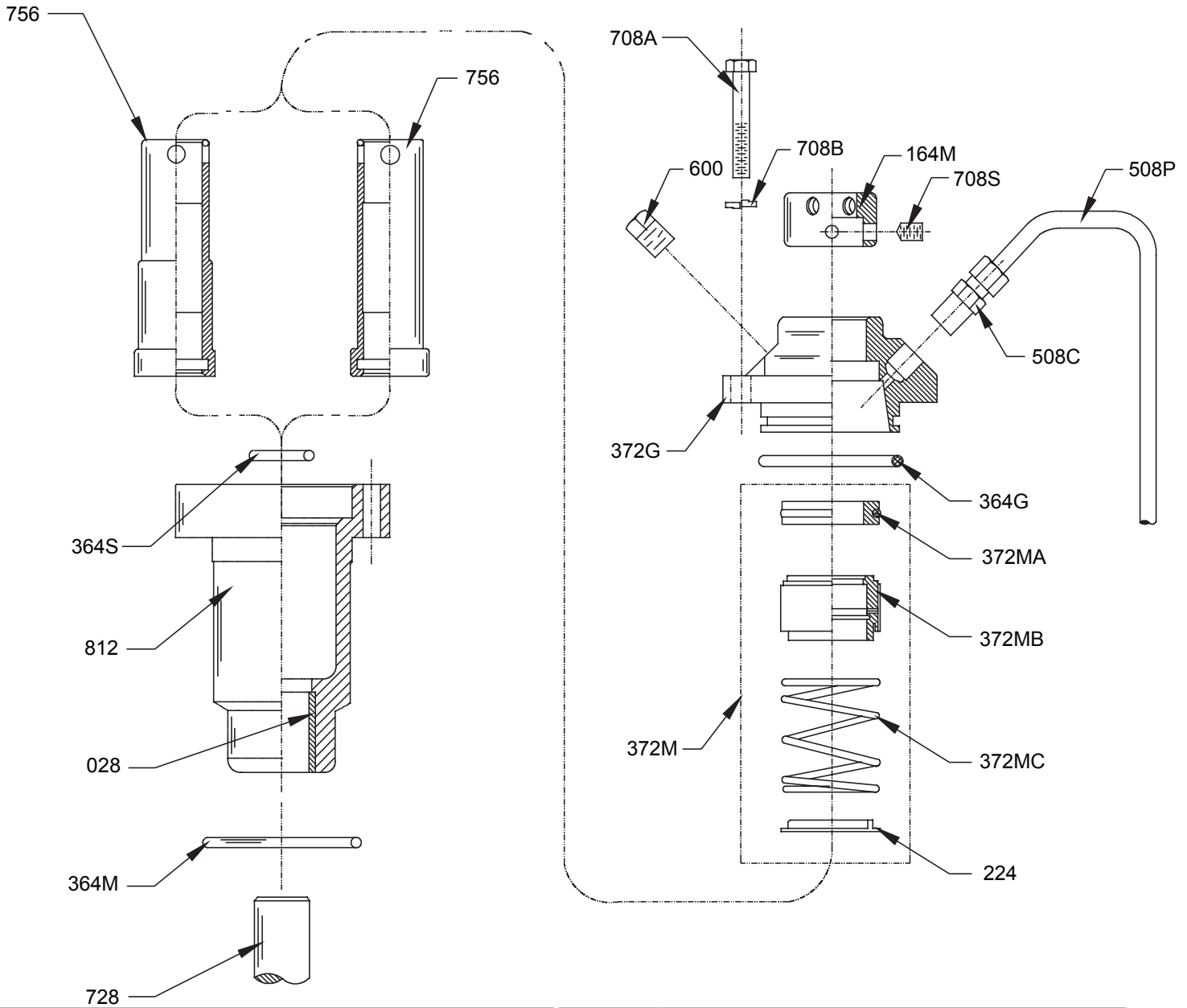
ITEM	DESCRIPTION	MATERIAL	ITEM	DESCRIPTION	MATERIAL
028	SEAL CHAMBER BEARING	BRONZE	708A	SEAL CHAMER CAPSCREW	300 SS
164M	SEAL COLLAR	BRONZE	708B	SEAL CHAMER WASHER	300 SS
364G	SEAL CHAMBER GLAND O-RING	VITON	708S	SEAL CHAMER SET SCREW	300 SS
364M	SEAL CHAMBER O-RING	VITON	728	SHAFT	CARBON STEEL
364S	SEAL CHAMBER SLEEVE O-RING	VITON	756	SHAFT SLEEVE	BRONZE
372G	SEAL GLAND	CAST IRON	812	SEAL CHAMBER	CAST IRON
372M	MECHANICAL SEAL	C/SI-C/304SS			
508C	COMPRESSION FITTING	BRONZE			
508P	FLUSH LINE	COPPER			
600	FLUSH PORT PLUG	CAST IRON			

REFER TO FACTORY FOR OPTIONAL METALLURGY AND LEAD-TIMES  
ALL PRICES ARE F.O.B ROSSVILLE, TN AND SUBJECT TO CHANGE  
WITHOUT NOTICE

## ENGINEERING DATA MECHANICAL SEAL HOUSING (EXPLODED BALANCED & UN-BALANCED)

01/01/2019

REVISION 1



ITEM	DESCRIPTION	MATERIAL	ITEM	DESCRIPTION	MATERIAL
028	SEAL CHAMBER BEARING	BRONZE	372MC	SEAL SPRING	300 SS
164M	SEAL COLLAR	BRONZE	508C	COMPRESSION FITTING	BRONZE
224	SEAL COLLAR	300 SS	508P	FLUSH LINE	COPPER
364G	SEAL CHAMBER GLAND O-RING	VITON	600	FLUSH PORT PLUG	CAST IRON
364M	SEAL CHAMBER O-RING	VITON	708A	SEAL CHAMER CAPSCREW	300 SS
364S	SEAL CHAMBER SLEEVE O-RING	VITON	708B	SEAL CHAMER WASHER	300 SS
372G	SEAL GLAND	CAST IRON	708S	SEAL CHAMER SET SCREW	300 SS
372M	MECHANICAL SEAL	C/SI-C/304SS	728	SHAFT	CARBON STEEL
372MA	STATIONARY SEAT	SI-CARBIDE	756	SHAFT SLEEVE	BRONZE
372MB	ROTARY SEAL	CARBON	812	SEAL CHAMBER	CAST IRON

REFER TO FACTORY FOR OPTIONAL METALLURGY AND LEAD-TIMES  
ALL PRICES ARE F.O.B ROSSVILLE, TN AND SUBJECT TO CHANGE  
WITHOUT NOTICE