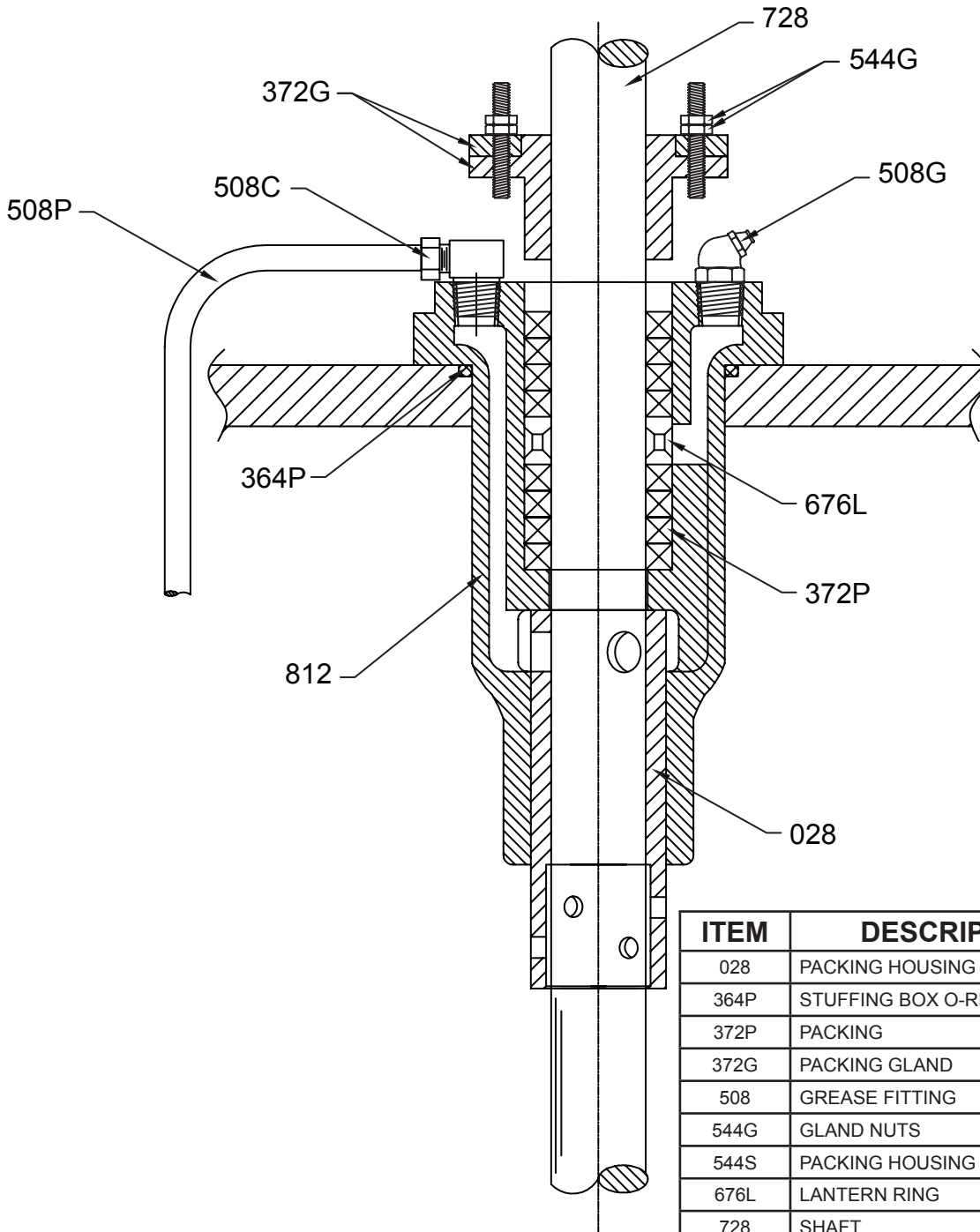


## ENGINEERING DATA PACKING HOUSING (HIGH PRESSURE) KIT

01/01/2019

REVISION 1



ITEM	DESCRIPTION	MATERIAL
028	PACKING HOUSING BEARING	BRONZE
364P	STUFFING BOX O-RING	VITON
372P	PACKING	POLYIMIDE YARN
372G	PACKING GLAND	304 SS
508	GREASE FITTING	CARBON STEEL
544G	GLAND NUTS	300 SS
544S	PACKING HOUSING BOLTS	300 SS
676L	LANTERN RING	BRONZE
728	SHAFT	CARBON STEEL
808	GLAND STUD	300 SS
812	PACKING HOUSING	CAST IRON

REFER TO FACTORY FOR OPTIONAL METALLURGY AND LEAD-TIMES  
ALL PRICES ARE F.O.B ROSSVILLE, TN AND SUBJECT TO CHANGE  
WITHOUT NOTICE